



CABLE 197 RF: I-PEX MHF + FRONT MOUNT RP SMA S/T BULKHEAD JACK WITH O-RING RATED TO IP67/68 + MULTIPLE CABLE SIZES

SPECIFICATIONS :

- I-PEX MHF PLUG, P/N:  
 FOR  $\phi 1.13\text{MM}$  CABLE: 20278-112R-13.  
 FOR  $\phi 0.81\text{MM}$  CABLE: 20278-112R-08.  
 FOR RG178 CABLE: 20278-112R-18.  
 FOR  $\phi 1.37\text{MM}$  CABLE: 20278-112R-37.
- COAXIAL CABLE, SEE P/N FOR DETAIL.
- FRONT MOUNT RP SMA STRAIGHT BULKHEAD JACK WITH O-RING RATED TO IP67/68, P/N: RFCT-SMA013-F78.

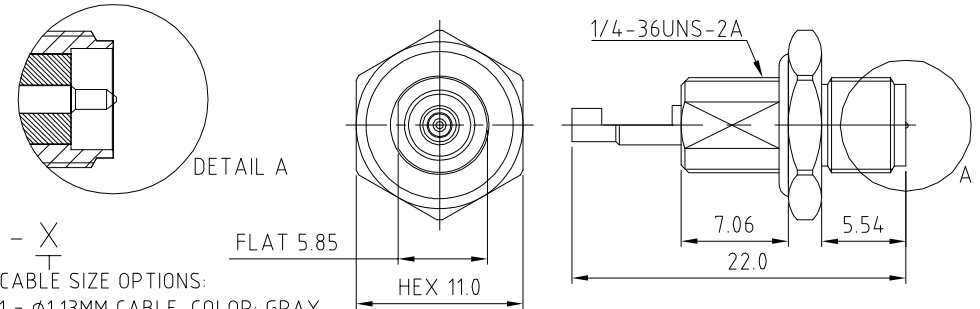
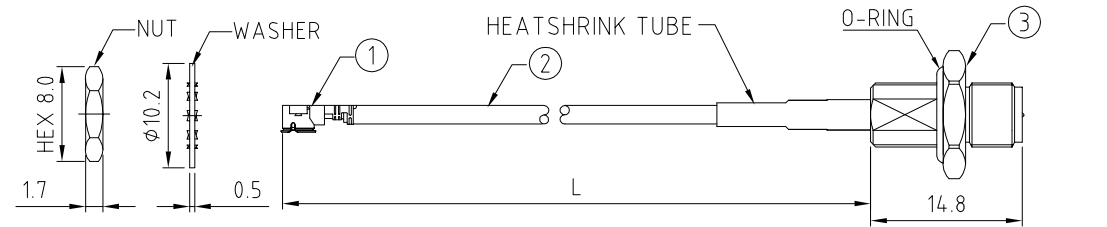
**USAGE PRECAUTIONS: CABLES USING 'MICRO' COAX ARE DELICATE:**  
 (i) HANDLE WITH CARE.  
 (ii) DO NOT TWIST; APPLY EXCESSIVE FORCES OR SHARP BENDS TO THE CABLE. DO NOT FORCEFULLY DEFORM WIRES.  
 (iii) CONSULT CONNECTOR MANUFACTURER'S DATASHEETS FOR DETAILED NOTES ON HANDLING INSTRUCTIONS.

ENVIRONMENTAL:

- A. BULKHEAD MOUNTED CONNECTOR (RFCT-SMA013-F78) RATED TO THE FOLLOWING SPECIFICATION:
- IP6X - DUST TIGHT - NO PARTICLE INGRESS.
  - IPX7 WATERPROOF FOR 30 MINUTES UP TO 1 METER UNDERWATER.
  - IPX8 WATERPROOF FOR 48 HOURS AT 1 METER UNDERWATER.

NOTES:

- THE ORIENTATION OF CONNECTORS ON DRAWING IS FOR REFERENCE ONLY, IF THE ORDER IS LEFT BLANK THE CONNECTOR WILL NOT HAVE FIXED ORIENTATION.
- FIXED ORIENTATION IS SUGGESTED FOR CABLE LENGTH 25MM TO 100MM. PLEASE SPECIFY THE FIXED ORIENTATIONS FROM THE ORDER CODE (F1, F2, ETC)
- CONTACT GRADCONN IF THE ORIENTATION YOU REQUIRE IS NOT SHOWN.
- WORKING FREQUENCY RANGE: DC-3GHz.
- OPERATING TEMPERATURE:  $-40^{\circ}\text{C} \sim +90^{\circ}\text{C}$ .



HOW TO ORDER

CABLE 197 RF - XXX - XX - X - X

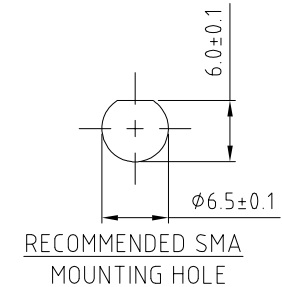
"L" LENGTH IN MM:  
 eg: 100MM = 100  
 (MIN. 025-MAX.400)  
 STANDARD = 100, 150, 200)  
 Tolerance: 20-50mm:  $\pm 2\text{mm}$ .  
 51-200mm:  $\pm 5\text{mm}$ .  
 201-400mm:  $\pm 7\text{mm}$ .

CABLE SIZE OPTIONS:  
 1 =  $\phi 1.13\text{MM}$  CABLE, COLOR: GRAY  
 2 =  $\phi 0.81\text{MM}$  CABLE, COLOR: GRAY  
 3 =  $\phi 1.13\text{MM}$  LOW LOSS CABLE, COLOR: GRAY.  
 4 = RG178 CABLE, COLOR: BROWN.  
 5 =  $\phi 1.37\text{MM}$  CABLE, COLOR: BLACK.

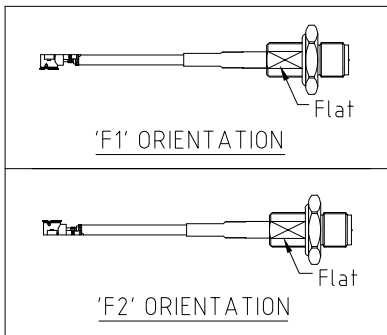
WASHER AND NUT OPTIONS:  
 BLANK = SEPARATELY PACKED (STANDARD)  
 A = ALL ASSEMBLED WITH CONNECTOR

ORIENTATION OPTIONS:  
 BLANK = DOES NOT HAVE A FIXED ORIENTATION  
 F1 = MHF CONNECTION DOWN (L=25-100MM)  
 F2 = MHF CONNECTION UP (L=25-100MM)  
 (SEE NOTES 1, 2, 3 AND DIAGRAMS FOR MORE INFORMATION)

SMA DETAIL DRAWING



RECOMMENDED SMA MOUNTING HOLE



REV. DATE & DRN	10 21/07/15 - NYW RELEASE
11 23/07/15 - NYW UPDATE SMA PART NUMBER.	
12 30/10/15 - R/H ADD IP67/68 RATING INFO.	
13 17/02/16 - NYW AMEND IP67/68 TEST STATUS	
14 20/06/16 - NYW ADD 0.81 CABLE OPTION 2.	
15 10/07/17 - NYW ADD 1.13 LL CABLE OPTION 3.	
16 22/02/17 - NYW ADD RG178 CABLE OPTION 4.	
17 01/07/18 - NYW ADD 1.37MM CABLE OPTION 5.	
18 27/05/19 - NYW ADD OPERATING TEMP.	

Scale: NTS	THIRD ANGLE	Unstated: .X, .XX, .XXX ANGLES	Tolerances: N/A, N/A, N/A, N/A
Drawn: NYW			
App'd: XXX	Title: CABLE ASSEMBLY		
Date: 27 MAY '19	Revision: 1.8	Unit: mm	

IP67/68 Rated Cables www.gradconn.com

Type: Cable 197 RF
CABLE 197 RF
Drawing Number:
Sheet 1 of 1
Drawing  E and O E