

RFPC-SMA14-FN: SMA Right Angle Bulkhead Jack With O-ring, PCB Connector, Rated to IP67/68

Material and Plating:

- Insulator A: Teflon
- Insulator B: Teflon
- Insulator C: Teflon
- Body A: Brass, Gold Plated
- Body B: Brass, Gold Plated
- Pin A: Be Cu, Gold Plated
- Pin B: Brass, Gold Plated
- Gasket: Silicon, Color: Red
- O-Ring: Silicone, Color: Red
- Cap: Brass, Gold Plated

Washer: Brass, Gold Plated

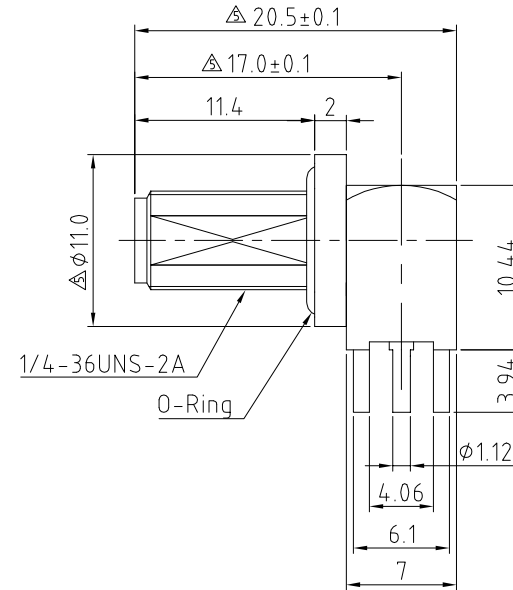
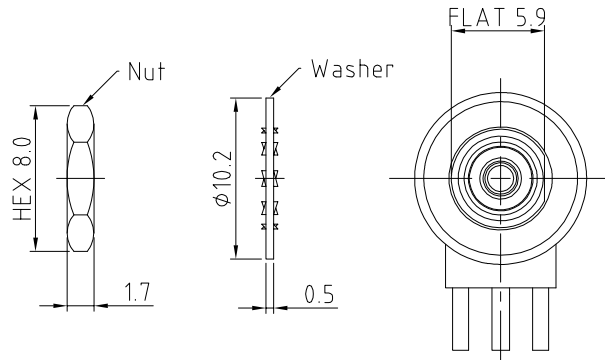
Nut: Brass, Gold Plated

Environmental:

- A. Tested to:
 - i. IP6x - Dust tight - no particle ingress.
 - ii. IPx7 Waterproof for 30 minutes up to 1 meter underwater.
 - iii. IPx8 Waterproof for 48 hours at 1 meter underwater.

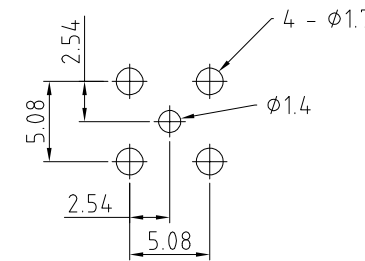
Notes:

1. Packaging Type: 160pcs/Tray.
2. Working Frequency Range: DC-3GHz.
3. Operating Temperature: -55°C~+155°C.

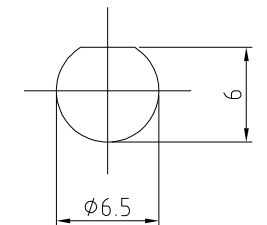


HOW TO ORDER
RFPC - SMA14 - FN - X

WASHER AND NUT OPTIONS:
BLANK = SEPARATELY PACKED (STANDARD)
A = ALL ASSEMBLED WITH CONNECTOR



Recommended PCB Hole Layout



Recommended Mounting Hole

REV. DATE & DRN 10 06/17/17 - NYW RELEASE 11 27/11/17 - NYW ADD ENVIRONMENTAL INFO. 12 07/17/18 - NYW RELEASE OFFICIAL DRAWING. 13 18/02/19 - NYW ADD WASHER & NUT OPTIONS. 14 24/05/19 - NYW ADD OPERATING TEMP. 15 25/11/19 - NYW ADD UNSTATED TOLERANCE AND UNSTATED DIMENSIONS.	Scale: NTS Drawn: NYW App'd: XXX Date: 25 NOV. '19	THIRD ANGLE Title SMA PCB Connector Revision: 15 Unit: mm	Unstated Tolerances: .X ±0.20 .XX ±0.10 .XXX ±0.06 ANGLES ±2°	 IP67/68 Rated Cables	 www.gradconn.com	Type: RFPC-SMA14-FN RFPC-SMA14-FN Drawing Number: Sheet 1 of 1 Drawing © E and O E
---	---	--	---	--------------------------	----------------------	--