

RFPC-SMA15-FN: RP SMA Right Angle Bulkhead Jack With O-ring, PCB Connector, Rated to IP67/68

Material and Plating:

- Insulator A: Teflon
- Insulator B: Teflon
- Insulator C: Teflon
- Body A: Brass, Gold Plated
- Body B: Brass, Gold Plated
- Pin A: Brass, Gold Plated
- Pin B: Brass, Gold Plated
- Gasket: Silicon, Color: Red
- O-Ring: Silicone, Color: Red
- Cap: Brass, Gold Plated

Washer: Brass, Gold Plated

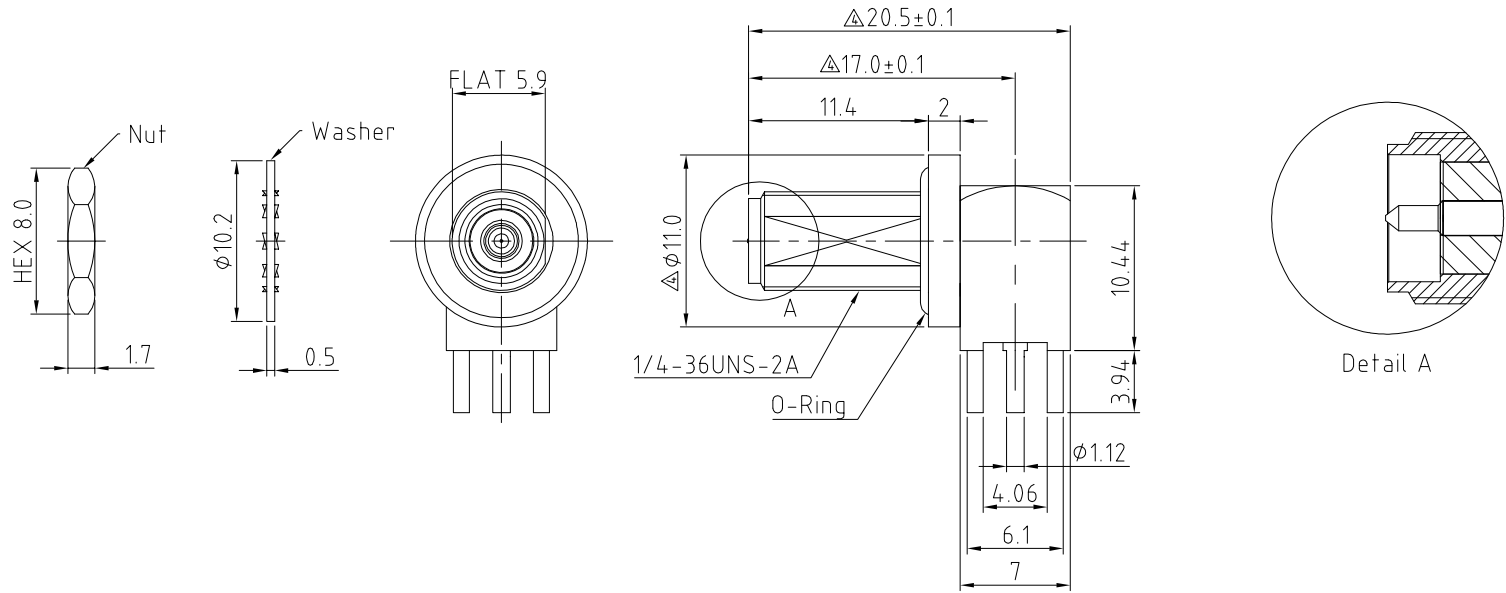
Nut: Brass, Gold Plated

Environmental:

- A. Tested to:
 - i. IP6x - Dust tight - no particle ingress.
 - ii. IPx7 Waterproof for 30 minutes up to 1 meter underwater.
 - iii. IPx8 Waterproof for 48 hours at 1 meter underwater.

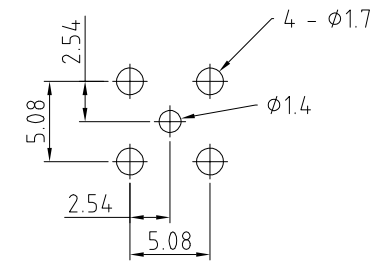
Notes:

- 1. Packaging Type: Tray.
- 2. Working Frequency Range: DC-3GHz.
- 3. Operating Temperature: -55°C~+155°C.

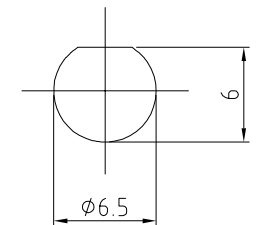


HOW TO ORDER
RFPC - SMA15 - FN - X

WASHER AND NUT OPTIONS:
BLANK = SEPARATELY PACKED (STANDARD)
A = ALL ASSEMBLED WITH CONNECTOR



Recommended PCB Hole Layout



Recommended Mounting Hole

REV. DATE & DRN	10/17/17 - NYW RELEASE
	11/25/07/18 - NYW RELEASE
	RELEASE OFFICIAL DRAWING
	12/ ADD WASHER & NUT OPTIONS
	13/ 27/05/19 - NYW
	ADD OPERATING TEMP.
	14/ 25/11/19 - NYW
	ADD UNSTATED TOLERANCE.
	AMEND DIMENSIONS

Scale: NTS	THIRD ANGLE	Unstated .X .XX .XXX ANGLES	Tolerances: ± 0.20 ± 0.10 ± 0.06 $\pm 2^\circ$
Drawn: NYW			
App'd: XXX	Title SMA PCB Connector		
Date: 25 NOV. '19	Revision: 1.4	Unit: mm	

IP67/68 Rated Cables

www.gradconn.com

© THIS DRAWING IS CONFIDENTIAL AND MUST NOT BE COPIED OR DISCLOSED WITHOUT WRITTEN CONSENT

Type: RFPC-SMA15-FN
RFPC-SMA15-FN
Drawing Number:
Sheet 1 of 1
Drawing © E and O E