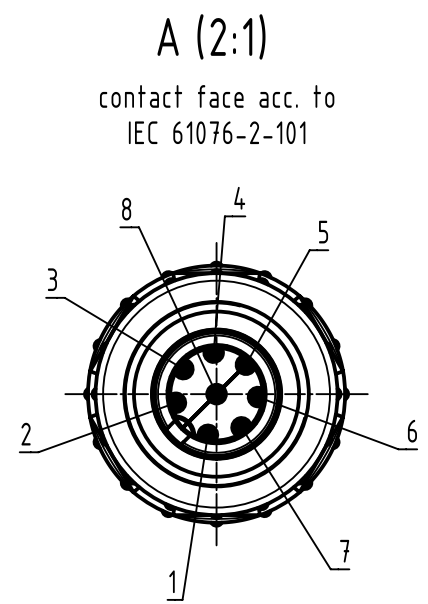
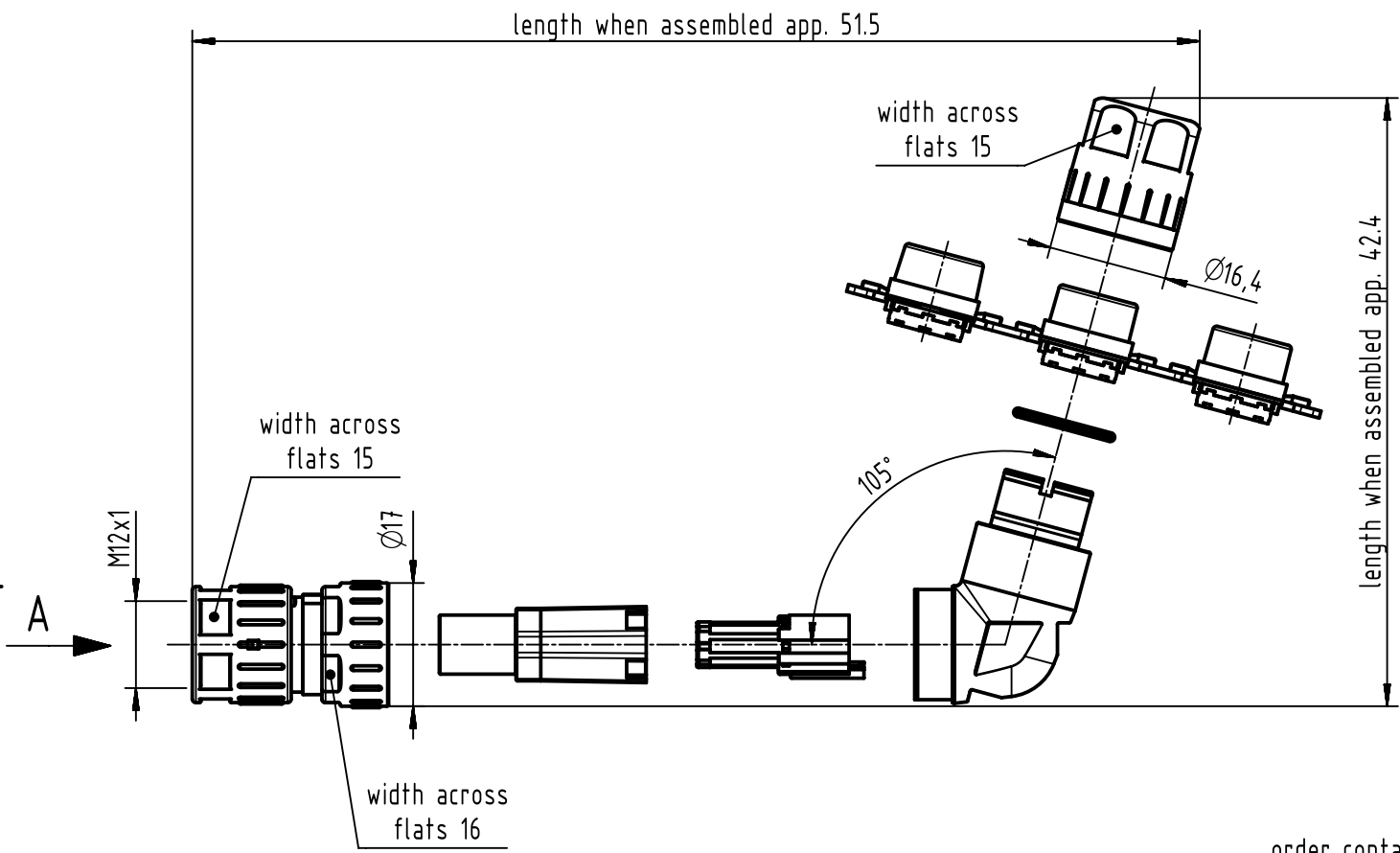
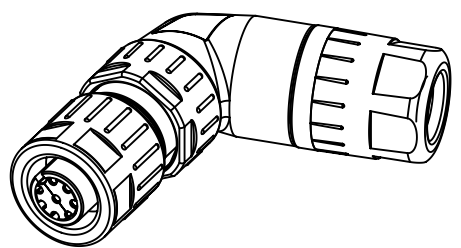


A  
B  
C  
D



order contacts separately

| cable Ø   | wire gauge | part-no.       |
|-----------|------------|----------------|
| 5.7-8.8mm | AWG 26-23  | 21 01 100 9022 |



|   |  |  |   |                       |                             |  |
|---|--|--|---|-----------------------|-----------------------------|--|
|   | All Dimensions in mm<br>Original Size DIN A4 |  | Scale 1:1<br>Free size tol.                                   |                       | Ref.<br>Sub.                |  |
|   | All rights reserved<br>Department EC PD - DE |  | Created by<br>BUSSMANTT                                       | Inspected by<br>GENAU | Standardisation<br>HOFFMANN | Date<br>2015-11-16                                       |
| HARTING Electronics GmbH<br>D-32339 Espelkamp |  |  | Title<br>HARTING M12 Slim Design angled female A-coded 8-pole |                       |                             | Doc-Key / ECM-Nr.<br>100591279/UGD/002/B<br>500000097193 |
|   |  |  | Type<br>TB  | Number<br>21038214805 |                             | Rev. B<br>Page 1/1                                       |