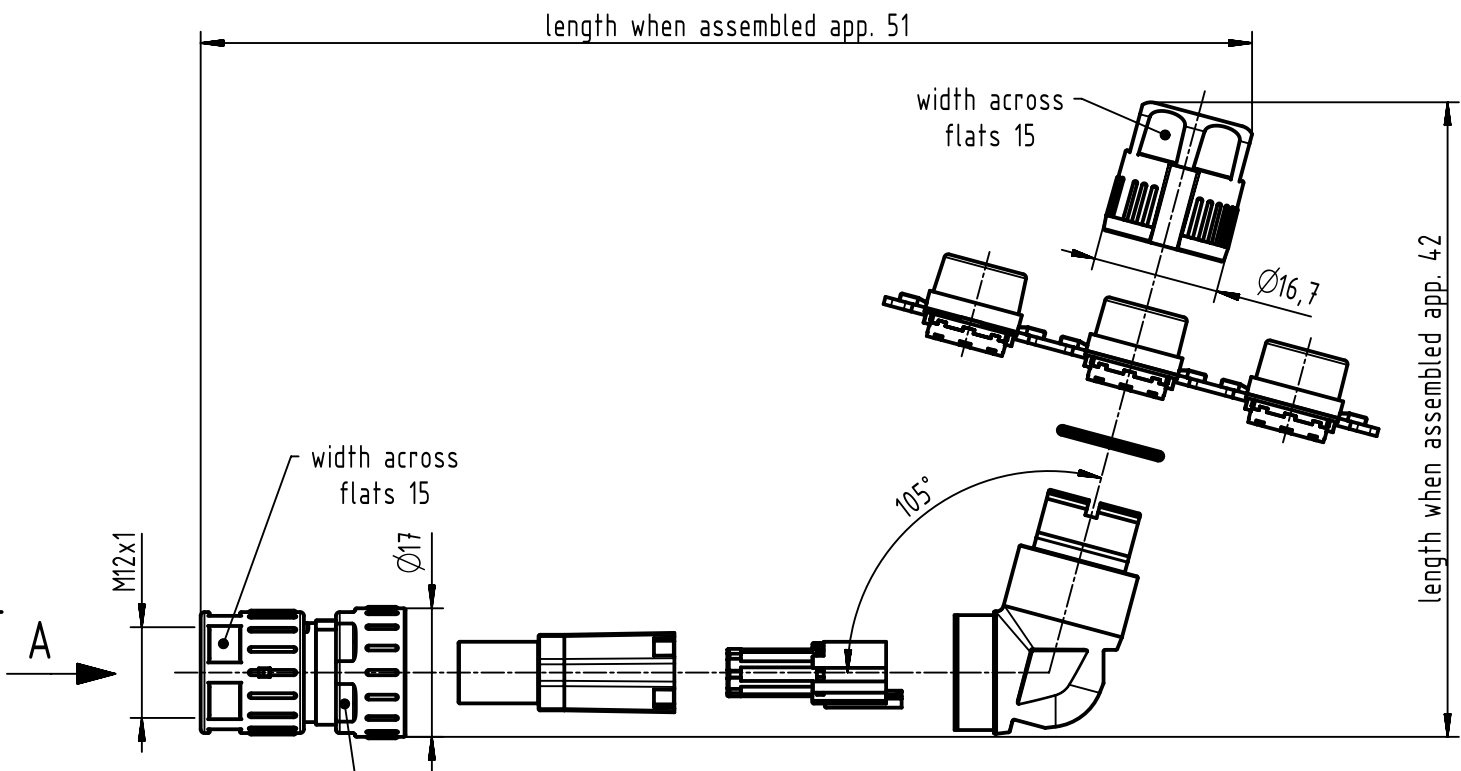
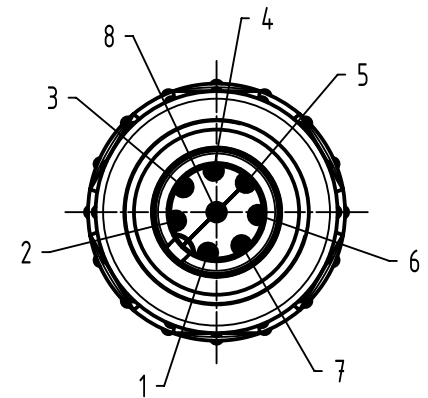


A
B
C
D



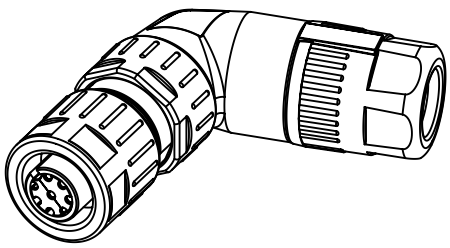
A (2:1)
contact face acc. to
IEC 61076-2-101



assembly aid enclosed

order contacts separately

cable Ø	wire gauge	part-no.
5.7-8.8mm	AWG 26-23	21 01 100 9022



	All Dimensions in mm Original Size DIN A4		Scale 1:1		Free size tol.		Ref. Sub. TB 21038214805 / 500000097193 / 2015-11-16		
	All rights reserved Department EC PD - DE		Created by PLMCONV	Inspected by GENAU	Standardisation HOFFMANN	Date 2016-11-18	State Final Release		
HARTING Electronics GmbH D-32339 Espelkamp			Title M12-SD-CC-CRIMP-8P-ACOD-F-ANG-SHLD				Doc-Key / ECM-Nr. 100591279/UGD/002/C 500000111684		
		Type TB	Number 21038214805		Rev. C		Page 1/1		