

# Customer Information Sheet

DRAWING No.: D3086-XX

SHEET 2 OF 2

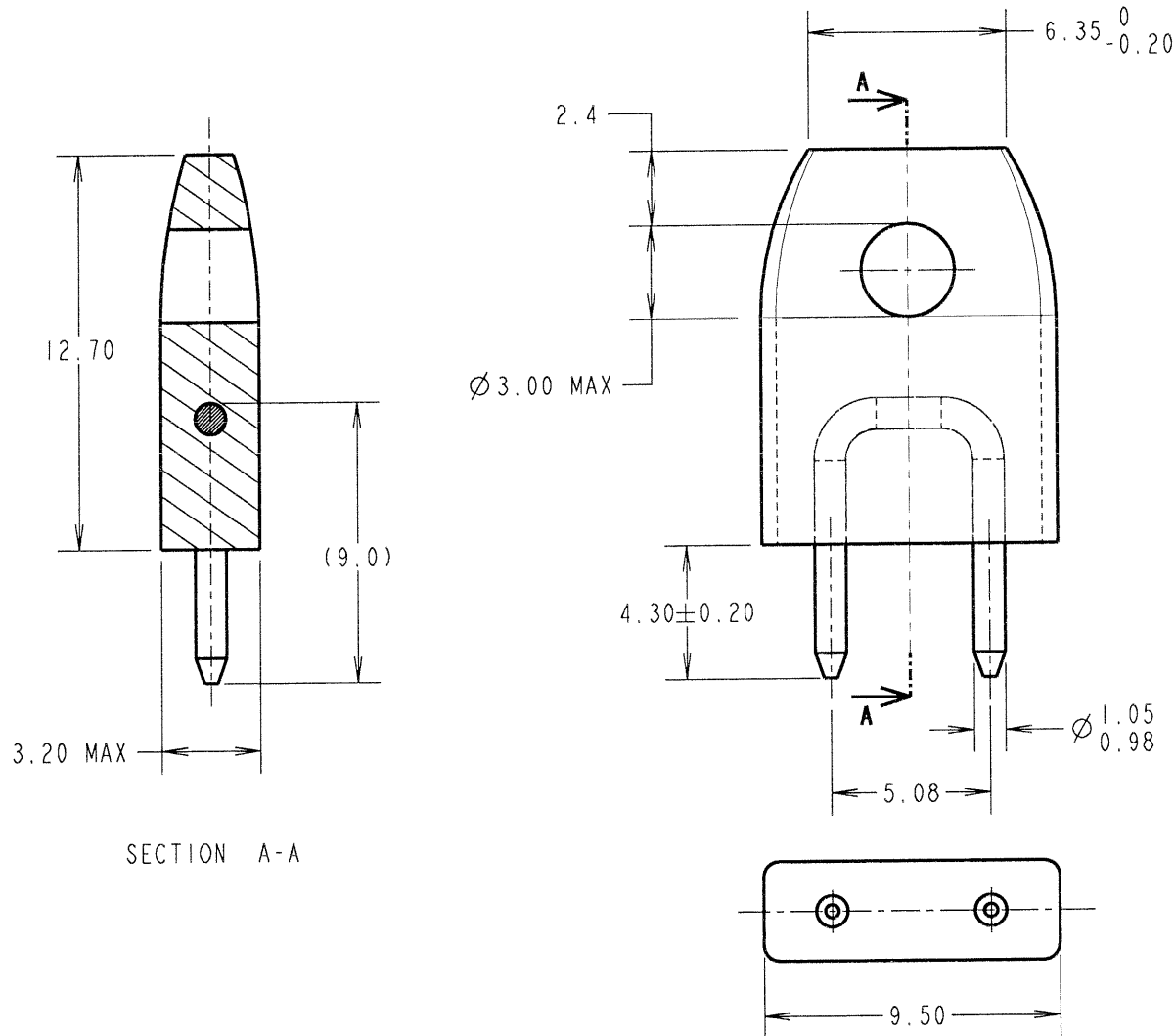
IF IN DOUBT - ASK

©

NOT TO SCALE

THIRD ANGLE PROJECTION

ALL DIMENSIONS IN mm



**SPECIFICATION:**

**MATERIAL:**

INSULATOR = PBT, UL94V-0

CONTACT = BRASS

**FINISH:**

CONTACT = 0.1μ GOLD OVER NICKEL

**ELECTRICAL:**

CURRENT RATING = 10A AT 20°C

**PACKING:**

BAG

ORDER CODE:

**D3086-XX**

INSULATOR COLOUR

- 97 = BLUE
- 98 = BLACK
- 99 = RED

JMB	8	05.01.07	9636
NAME	ISS.	DATE	C/NOTE
APPROVED: <i>J.S.</i>			
CHECKED: <i>M. P. 100</i>			
DRAWN: K. SHIER			
CUSTOMER REF.:			
ASSEMBLY DRG:			

**HARWIN**

THIS DRAWING AND ANY INFORMATION OR DESCRIPTIVE MATTER SET OUT HEREON ARE CONFIDENTIAL AND COPYRIGHT PROPERTY OF THE HARWIN GROUP AND MUST NOT BE DISCLOSED, LOANED, COPIED OR USED FOR MANUFACTURING, TENDERING OR FOR ANY OTHER PURPOSE WITHOUT THEIR WRITTEN PERMISSION.

**TOLERANCES**

X. = ±1mm  
 X.X = ±0.25mm  
 X.XX = ±0.10mm  
 X.XXX = ±0.01mm

ANGLES = ±5°

UNLESS STATED

**MATERIAL:**

SEE ABOVE

FINISH: SEE ABOVE

S/AREA:

mm<sup>2</sup>

**TITLE:**

∅1mm INSULATED SHORTING LINK

DRAWING NUMBER:

**D3086-XX**

SHT  
2 OF 2

HARWIN INC  
U.S.A.  
TEL: (812) 542 2540  
FAX: (812) 542 2541

HARWIN PLC  
U.K.  
TEL: 023 9231 4545  
FAX: 023 9231 4590

HARWIN PTE  
SINGAPORE  
TEL: 65 6779 4909  
FAX: 65 6779 3868

# Customer Information Sheet

DRAWING No.: D3087-XX

SHEET 2 OF 2

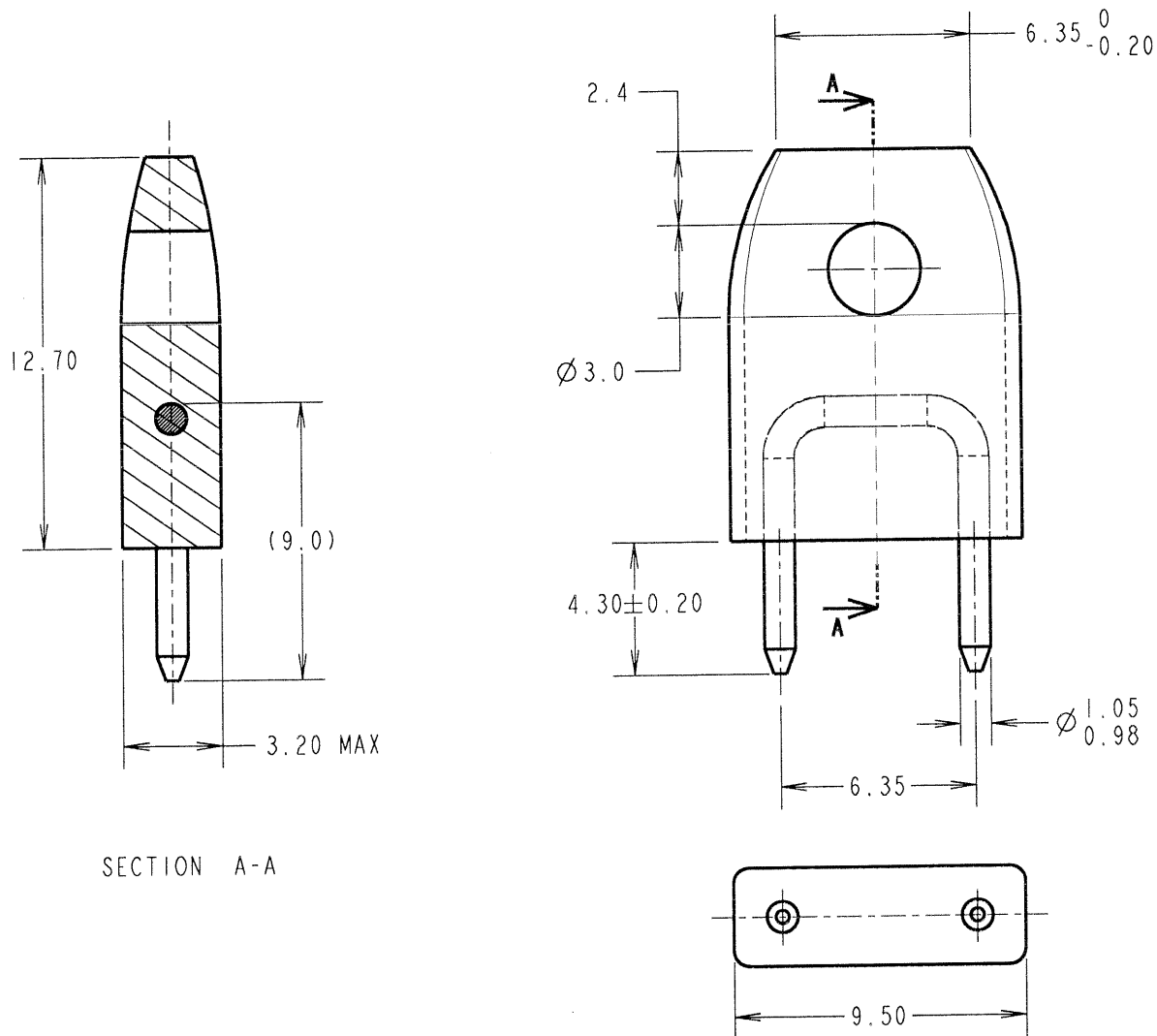
IF IN DOUBT - ASK

Ⓒ

NOT TO SCALE

THIRD ANGLE PROJECTION

ALL DIMENSIONS IN mm



SPECIFICATION:  
 MATERIAL:  
 INSULATOR = PBT, UL94V-0  
 CONTACT = BRASS  
 FINISH:  
 CONTACT = 0.1μ GOLD OVER NICKEL  
 ELECTRICAL:  
 CURRENT RATING = 10A AT 20°C  
 PACKING:  
 BAG

ORDER CODE:  
**D3087-XX**  
 INSULATOR COLOUR   
 97 = BLUE  
 98 = BLACK  
 99 = RED

JMB	8	05.01.07	9636
NAME	ISS.	DATE	C/NOTE
APPROVED: <i>J.S.</i>			
CHECKED: <i>M.S.</i>			
DRAWN: K. SHIER			
CUSTOMER REF.:			
ASSEMBLY DRG:			

## HARWIN

HARWIN INC U.S.A. TEL: (812) 542 2540 FAX: (812) 542 2541	HARWIN PLC U.K. TEL: 023 9231 4545 FAX: 023 9231 4590	HARWIN PTE SINGAPORE TEL: 65 6779 4909 FAX: 65 6779 3868
--	--	---

THIS DRAWING AND ANY INFORMATION OR DESCRIPTIVE MATTER SET OUT HEREON ARE CONFIDENTIAL AND COPYRIGHT PROPERTY OF THE HARWIN GROUP AND MUST NOT BE DISCLOSED, LOANED, COPIED OR USED FOR MANUFACTURING, TENDERING OR FOR ANY OTHER PURPOSE WITHOUT THEIR WRITTEN PERMISSION.

TOLERANCES  
 X. = ±1mm  
 X.X = ±0.25mm  
 X.XX = ±0.10mm  
 X.XXX = ±0.01mm  
 ANGLES = ±5°  
 UNLESS STATED

MATERIAL:  
 SEE ABOVE  
 FINISH: SEE ABOVE  
 S/AREA: mm<sup>2</sup>

TITLE:  
 Ø1mm INSULATED SHORTING LINK  
 DRAWING NUMBER:  
**D3087-XX**

SHT  
 2  
 OF  
 2

# Customer Information Sheet

DRAWING No.: D3088-XX

SHEET 2 OF 2

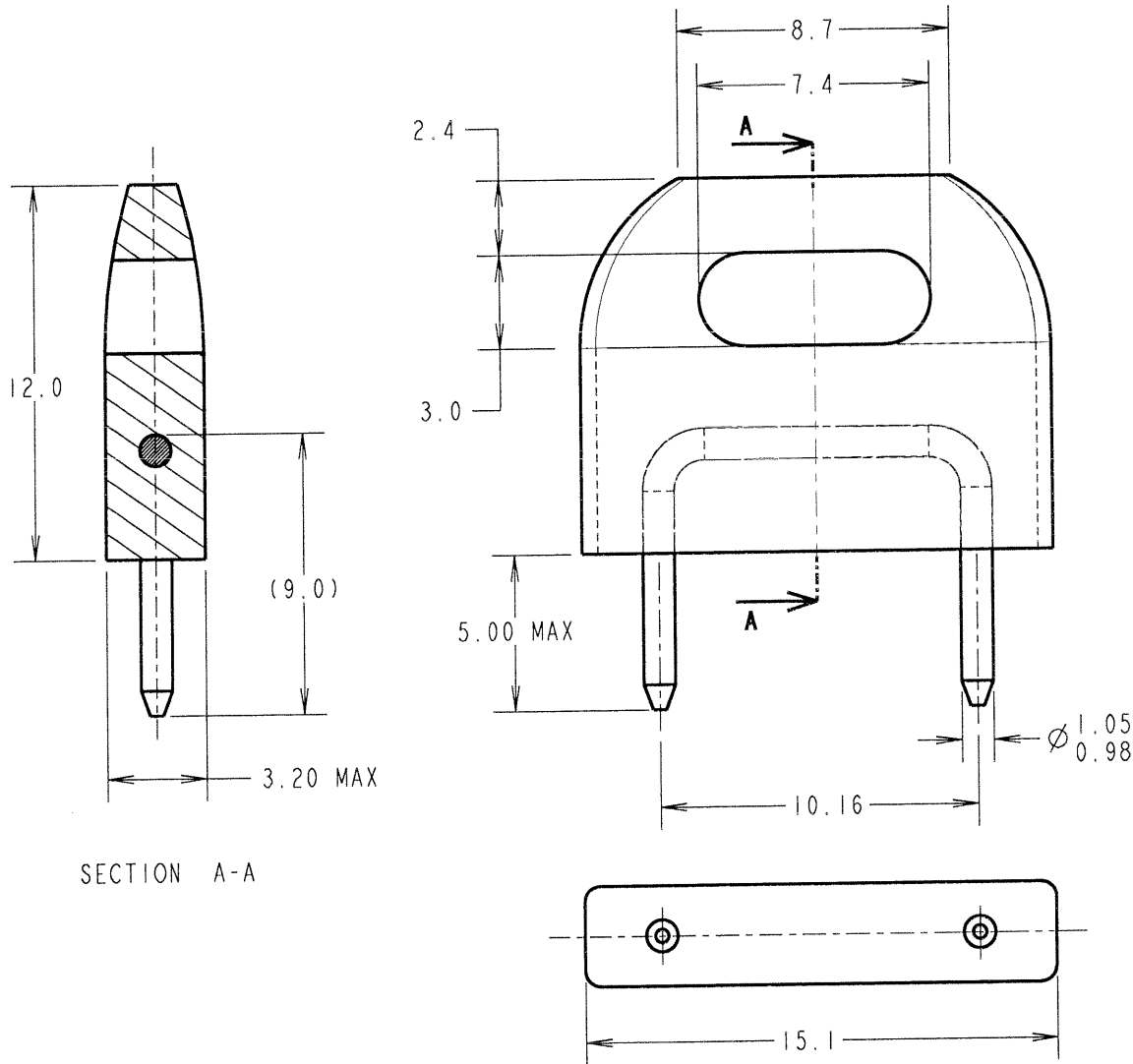
IF IN DOUBT - ASK

Ⓒ

NOT TO SCALE

THIRD ANGLE PROJECTION

ALL DIMENSIONS IN mm



**SPECIFICATION:**

**MATERIAL:**

INSULATOR = PBT, UL94V-0

CONTACT = BRASS

**FINISH:**

CONTACT = 0.1μ GOLD OVER NICKEL

**ELECTRICAL:**

CURRENT RATING = 10A AT 20°C

**PACKING:**

BAG

ORDER CODE:

**D3088-XX**

INSULATOR COLOUR

- 97 = BLUE
- 98 = BLACK
- 99 = RED

JMB	11	05.01.07	9636
NAME	ISS.	DATE	C/NOTE
APPROVED: <i>JS</i>			
CHECKED: <i>[Signature]</i>			
DRAWN: K. SHIER			
CUSTOMER REF.:			
ASSEMBLY DRG:			

**HARWIN**

HARWIN INC  
U.S.A.  
TEL: (812) 542 2540  
FAX: (812) 542 2541

HARWIN PLC  
U.K.  
TEL: 023 9231 4545  
FAX: 023 9231 4590

HARWIN PTE  
SINGAPORE  
TEL: 65 6779 4909  
FAX: 65 6779 3868

THIS DRAWING AND ANY INFORMATION OR DESCRIPTIVE MATTER SET OUT HEREON ARE CONFIDENTIAL AND COPYRIGHT PROPERTY OF THE HARWIN GROUP AND MUST NOT BE DISCLOSED, LOANED, COPIED OR USED FOR MANUFACTURING, TENDERING OR FOR ANY OTHER PURPOSE WITHOUT THEIR WRITTEN PERMISSION.

**TOLERANCES**  
X. = ±1mm  
X.X = ±0.25mm  
X.XX = ±0.10mm  
X.XXX = ±0.01mm  
ANGLES = ±5°  
UNLESS STATED

**MATERIAL:**  
SEE ABOVE  
**FINISH:** SEE ABOVE  
**S/AREA:** mm<sup>2</sup>

**TITLE:** ∅1mm INSULATED SHORTING LINK  
**DRAWING NUMBER:** D3088-XX

SHT  
2 OF 2

# Customer Information Sheet

DRAWING No.: D3089-XX

SHEET 2 OF 2

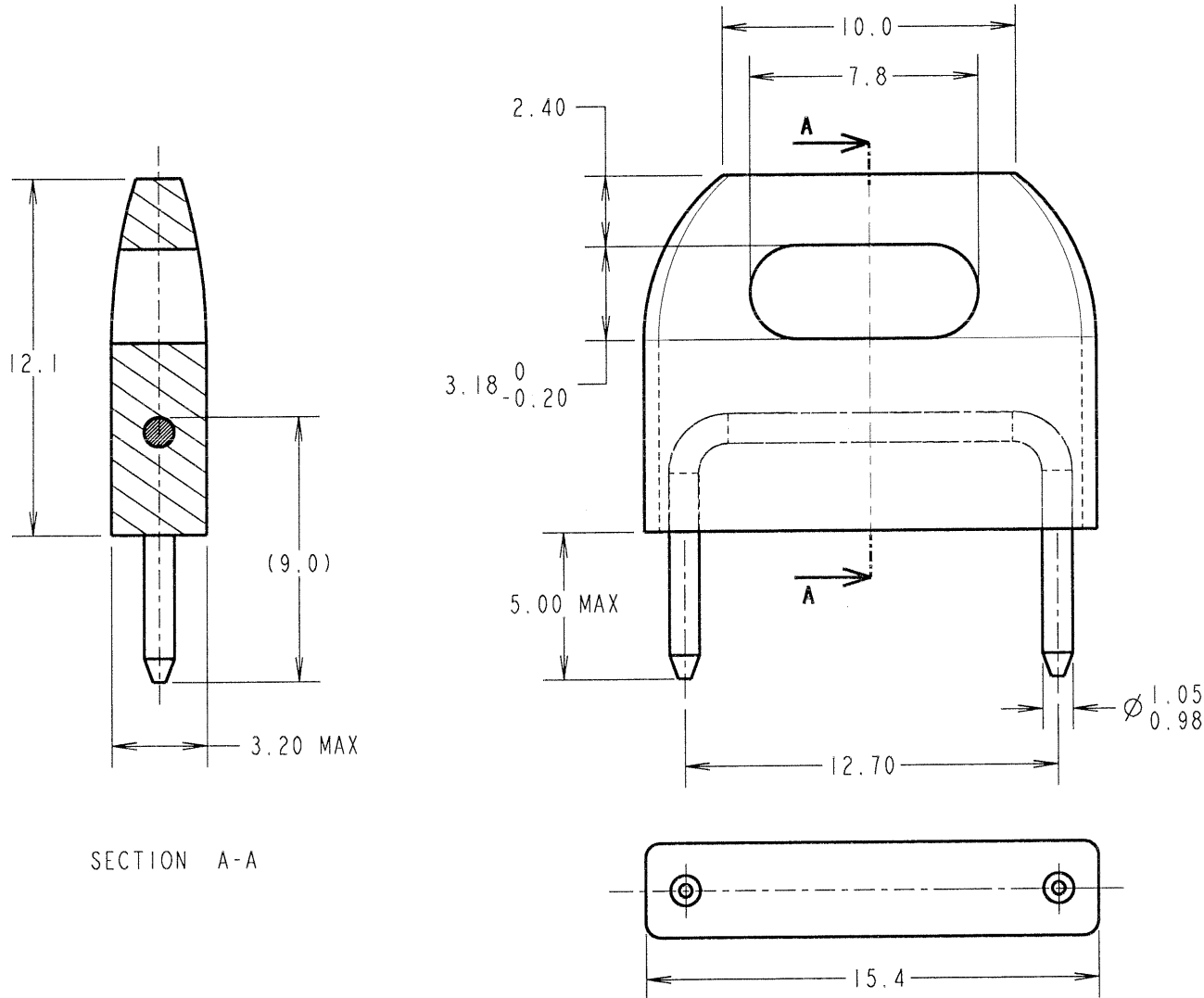
IF IN DOUBT - ASK

(C)

NOT TO SCALE

THIRD ANGLE PROJECTION

ALL DIMENSIONS IN mm



**SPECIFICATION:**

**MATERIAL:**

INSULATOR = PBT, UL94V-0

CONTACT = BRASS

**FINISH:**

CONTACT = 0.1μ GOLD OVER NICKEL

**ELECTRICAL:**

CURRENT RATING = 10A AT 20°C

**PACKING:**

BAG

ORDER CODE:

**D3089-XX**

INSULATOR COLOUR

- 97 = BLUE
- 98 = BLACK
- 99 = RED

JMB	10	05.01.07	9636
NAME	ISS.	DATE	C/NOTE
APPROVED: <i>[Signature]</i>			
CHECKED: <i>[Signature]</i>			
DRAWN: K. SHIER			
CUSTOMER REF.:			
ASSEMBLY DRG:			

**HARWIN**

THIS DRAWING AND ANY INFORMATION OR DESCRIPTIVE MATTER SET OUT HEREON ARE CONFIDENTIAL AND COPYRIGHT PROPERTY OF THE HARWIN GROUP AND MUST NOT BE DISCLOSED, LOANED, COPIED OR USED FOR MANUFACTURING, TENDERING OR FOR ANY OTHER PURPOSE WITHOUT THEIR WRITTEN PERMISSION.

**TOLERANCES**

- X. = ±1mm
- X.X = ±0.25mm
- X.XX = ±0.10mm
- X.XXX = ±0.01mm
- ANGLES = ±5°
- UNLESS STATED

**MATERIAL:**

SEE ABOVE

**FINISH:** SEE ABOVE

**S/AREA:** mm<sup>2</sup>

**TITLE:**

∅1mm INSULATED SHORTING LINK

**DRAWING NUMBER:**

**D3089-XX**

HARWIN INC  
U.S.A.  
TEL: (812) 542 2540  
FAX: (812) 542 2541

HARWIN PLC  
U.K.  
TEL: 023 9231 4545  
FAX: 023 9231 4590

HARWIN PTE  
SINGAPORE  
TEL: 65 6779 4909  
FAX: 65 6779 3868

SHT  
2  
OF  
2