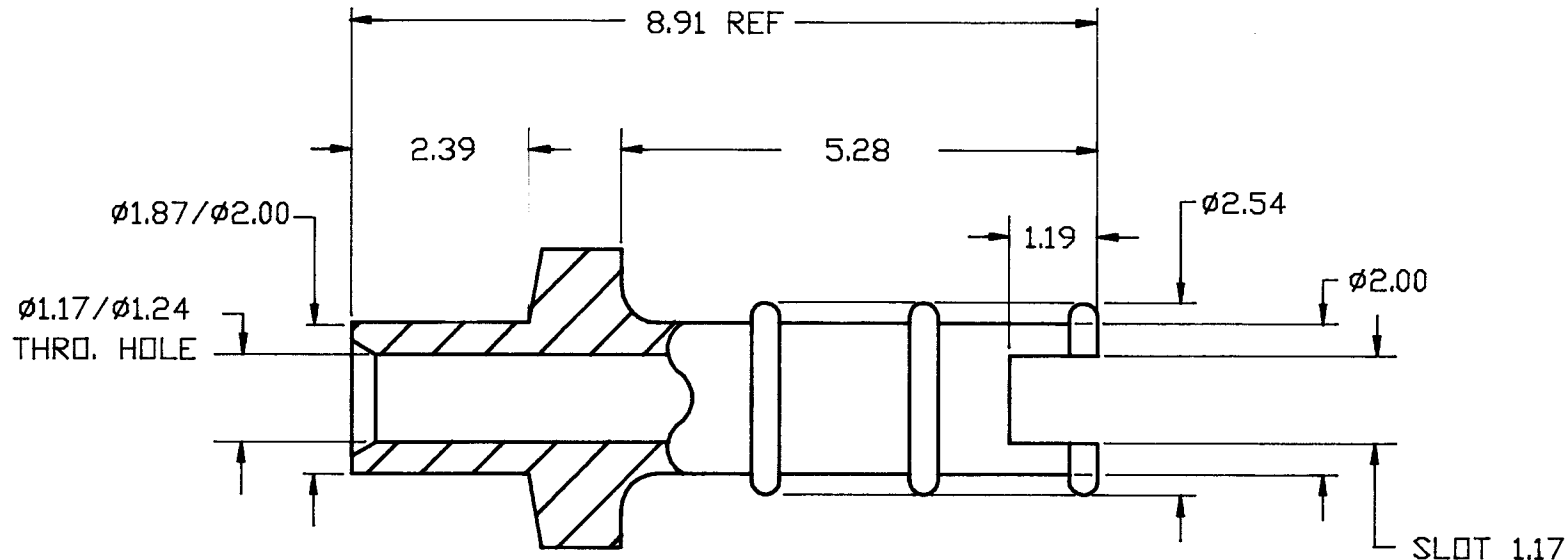


CUSTOMER INFORMATION SHEET



1	21.7.92	
ISS.	DATE	CHANGE
APPD.	<i>A. J. M. Gull</i>	
CHKD.	<i>[Signature]</i>	
DRAWN.	I.C.SANDY	

DRAWING No.	FINISH
H2072Z00	—————
H2072Z01	90/10 TIN/LEAD

CUSTOMER REF.
COMPUTER No.
ASSEMBLY DWG.

HARWIN
 FITZHERBERT RD., PORTSMOUTH, U.K. PO6 1RT
 TELEPHONE: 0705 370451 (SALES) FAX:-0705 324010
 0705 388755 (WORKS)

MATERIAL:- BRASS BS2874 CZ121
 TITLE:- TERMINAL LUG

TOLERANCES
 X. ±1mm
 X.X ±0.25mm
 X.XX ±0.13mm
 X.XXX ±0.01mm
 ANGLES ±1°

FINISH:- SEE ABOVE
 S/AREA 120.122 mm²
 IF IN DOUBT - ASK
 NOT TO SCALE

DRAWING NUMBER
H2072ZXX
 SHT 2 of 2