

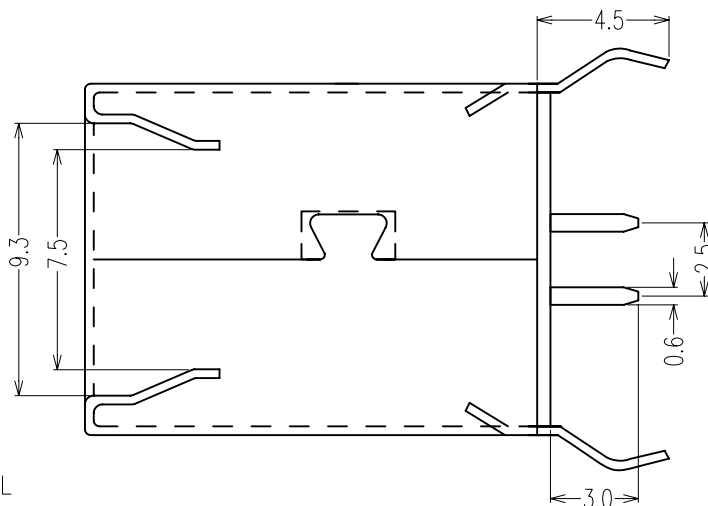
COMPONENT SIDE
PCB LAYOUT

SPECIFICATIONS:

MATERIAL:-

- ① HOUSING: P.B.T G.F, WHITE, QTY:1
 - ② PIN TERMINAL: PHOSPHOR BRONZE,
T=0.25mm, QTY: 4
 - ③ SHELL: BRASS, T=0.3mm, QTY: 1
 - ④ BOTTOM COVER: P.B.T G.F, WHITE, QTY: 1
- FINISH:-

- ② PIN TERMINAL: GOLD/TIN PLATED OVER NICKEL
- ③ SHELL: TIN PLATED



NOTES: ALL DIMENSIONS AND NOTES
MARKED * ARE CRITICAL AND
MUST BE CHECKED IN ACCORDANCE
WITH QUALITY DOC. Q1-02A

TOLERANCES

X.X = ±0.20mm
X.XX = ±0.10mm

Allan	1	01.08.06	-
NAME	ISS.	DATE	C/NOTE
APPROVED: <i>Bevan</i>			
CHECKED:			
DRAWN: Allan			
CUSTOMER REF.:			
ASSEMBLY DRG:			

HARWIN

HARWIN USA
TEL: 603 893 5376
FAX: 603 893 5396
mis@harwin.com

HARWIN Europe (UK)
TEL: 023 9231 4545
FAX: 023 9231 4590
mis@harwin.co.uk

HARWIN Asia
TEL: +65 6 779 4909
FAX: +65 6 779 3868
mis@harwin.com.sg

THIS DRAWING AND ANY
INFORMATION OR DESCRIPTIVE
MATTER SET OUT HEREON ARE
CONFIDENTIAL AND COPYRIGHT
PROPERTY OF THE HARWIN
GROUP AND MUST NOT BE
DISCLOSED, LOANED, COPIED
OR USED FOR MANUFACTURING,
TENDERING OR FOR ANY
OTHER PURPOSE WITHOUT
THEIR WRITTEN PERMISSION.

TOLERANCES
X. = ±1mm
X.X = ±0.25mm
X.XX = ±0.10mm
X.XXX = ±0.01mm
ANGLES = ±5°
UNLESS STATED

MATERIAL: SEE NOTES
FINISH: SEE NOTES
S/AREA: mm²

TITLE:
USB B TYPE FEMALE DIP 180°
DRAWING NUMBER:
M701-330442