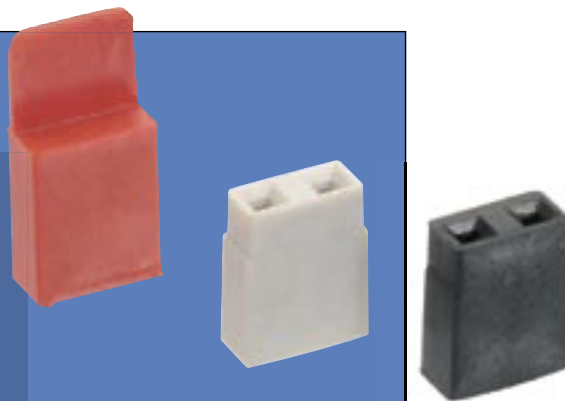


M20 Connectors

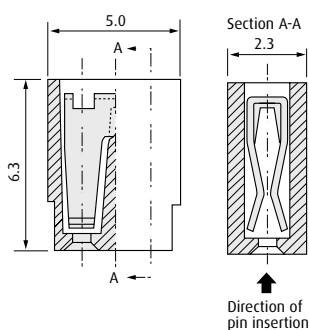
Jumper Sockets

- ❖ Suitable for use with pin headers shown on pages 52 to 57.
- ❖ Can be fitted by hand, giving an alternative on-board programming method to DIP switches.
- ❖ Open top for use with test probes.
- ❖ End and side stackable.
- ❖ Choice of colours available.
- ❖ Multi-usage socket provides up to 300 operations (Gold).
- ❖ Twin-leaf contacts.



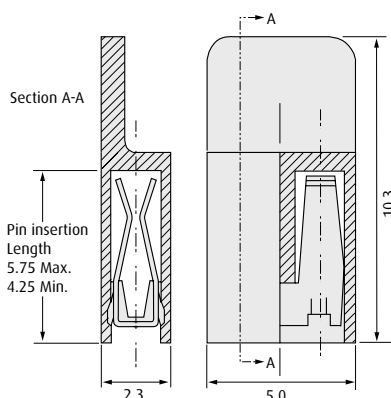
HIGH REL, MULTIUSAGE

OPEN TOP



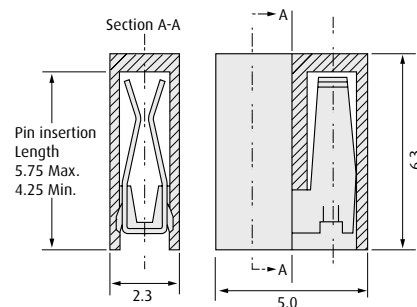
Black, Grey, Red, Blue

CLOSED TOP WITH HANDLE



Black, Grey, Red

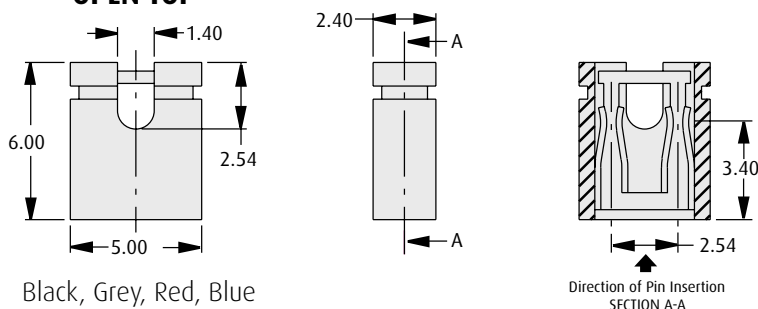
CLOSED TOP



Black, Grey

HIGH FORCE, SINGLE OPERATION

OPEN TOP



Black, Grey, Red, Blue

HOW TO ORDER

M7 X XX - XX

SERIES CODE

TYPE

5	Open Top
7	Closed Top
9	Closed Top with handle

HIGH REL

65	Grey
66	Red
67	Black
71	Blue

SINGLE OPERATION

80	Grey
81	Red
82	Black
83	Blue

FINISH

05	Gold
06	Tin/Lead
46	Tin

www.harwin.com

