

Customer Information Sheet

DRAWING No.: S1621-XXR

SHEET 2 OF 2

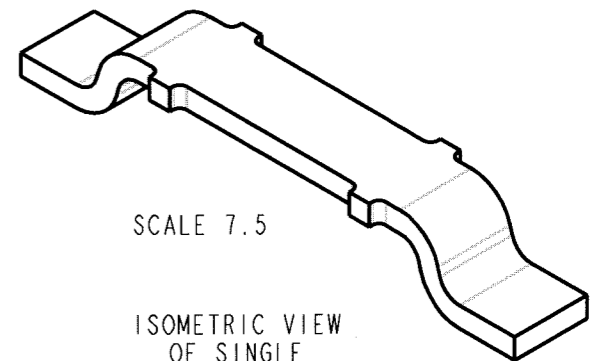
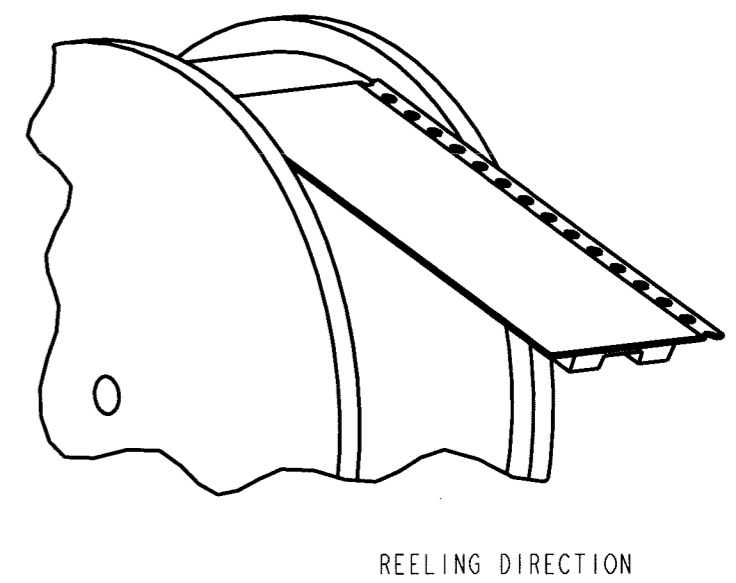
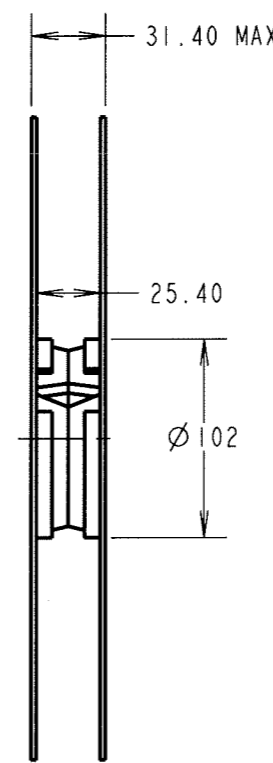
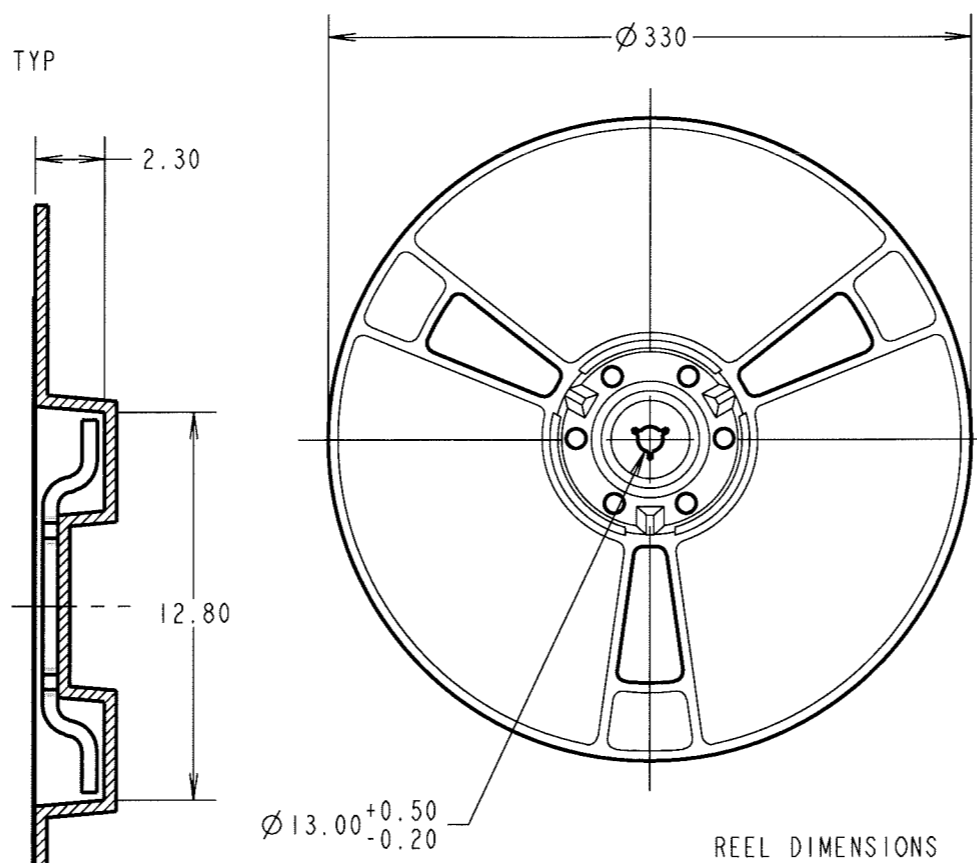
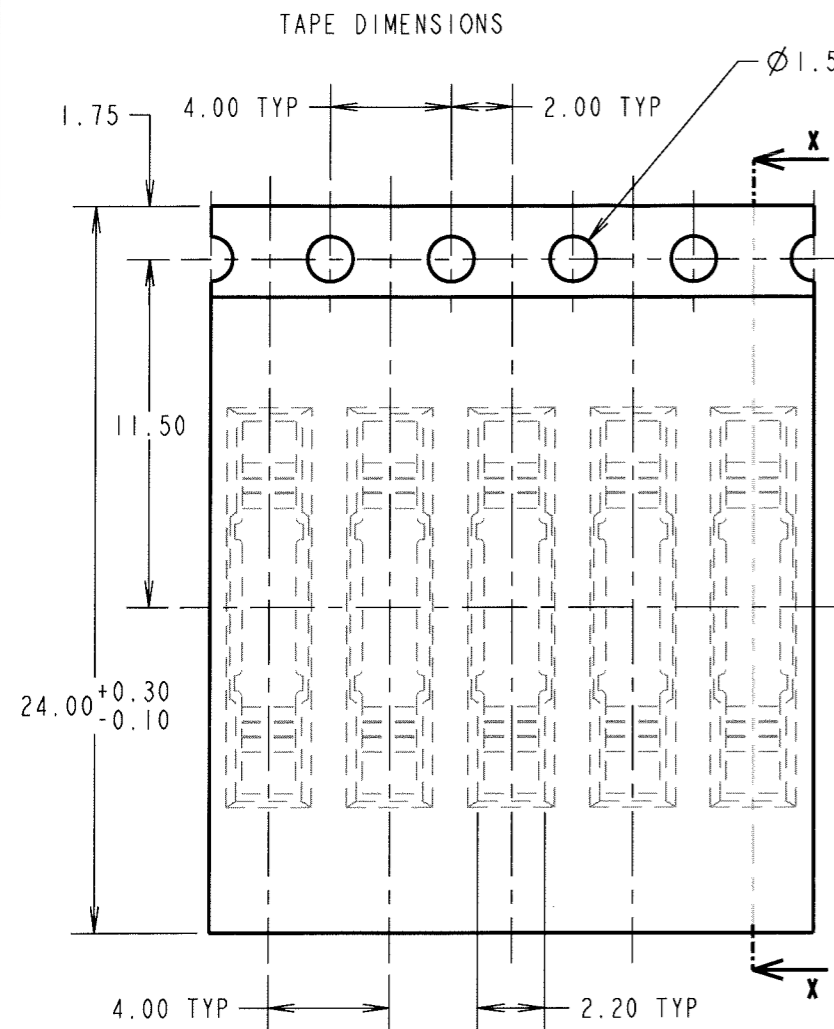
IF IN DOUBT - ASK

©

NOT TO SCALE

THIRD ANGLE PROJECTION

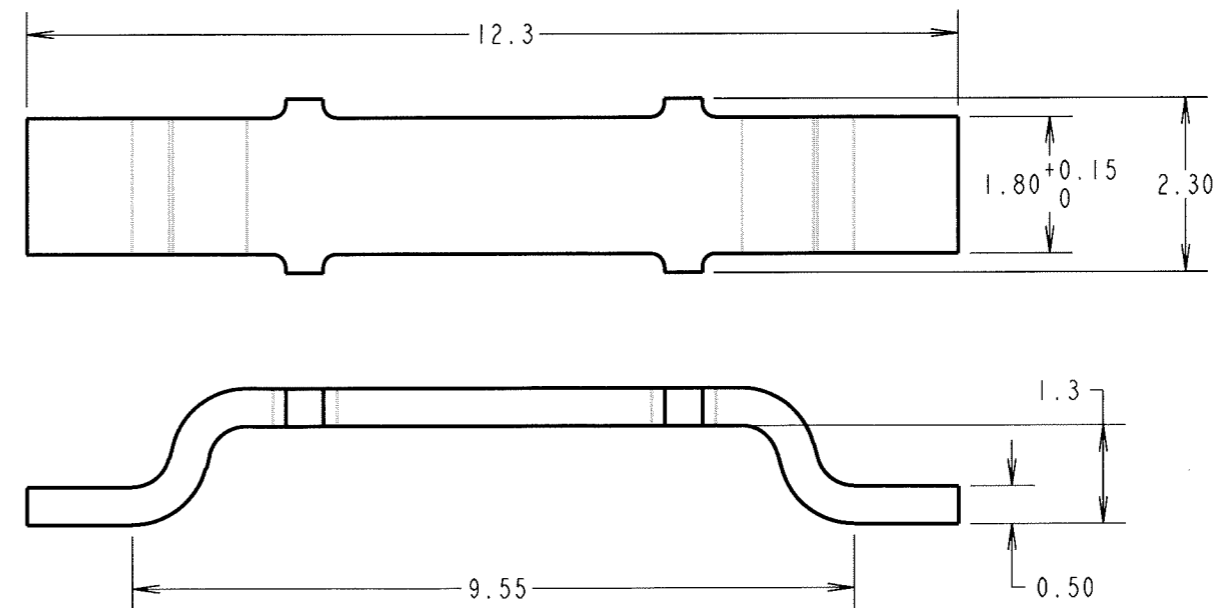
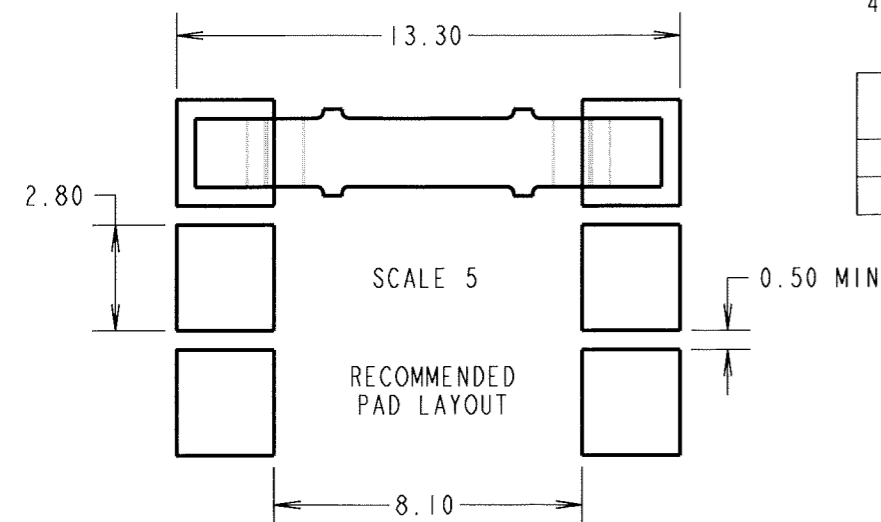
ALL DIMENSIONS IN mm



- NOTES:
1. QUANTITY PER REEL = 5,000.
 2. THIS PRODUCT IS TAPED AND REELED IN ACCORDANCE WITH EIA-481 (ELECTRONIC INDUSTRIES ASSOCIATION).
 3. FOR REELED COMPONENTS, SEE S162-XX. FOR LOOSE COMPONENTS, SEE S1621-XX.

COMPONENT SPECIFICATION:
 MATERIAL = BRASS CZ108 1/2 HARD
 FINISH
 06 = 4μ 90/10 TIN/LEAD
 46 = 4μ 100% TIN

ORDER CODE	FINISH
S1621-06R	TIN/LEAD
S1621-46R	100% TIN



JAE	3	05.04.05	8484
NAME	ISS.	DATE	C/NOTE
APPROVED: <i>[Signature]</i>			
CHECKED: <i>[Signature]</i>			
DRAWN: W. J. BOURNE			
CUSTOMER REF.:			
ASSEMBLY DRG:			

HARWIN			THIS DRAWING AND ANY INFORMATION OR DESCRIPTIVE MATTER SET OUT HEREON ARE CONFIDENTIAL AND COPYRIGHT PROPERTY OF THE HARWIN GROUP AND MUST NOT BE DISCLOSED, LOANED, COPIED OR USED FOR MANUFACTURING, TENDERING OR FOR ANY OTHER PURPOSE WITHOUT THEIR WRITTEN PERMISSION.	TOLERANCES X. = ±1mm X.X = ±0.25mm X.XX = ±0.10mm X.XXX = ±0.01mm ANGLES = ±5° UNLESS STATED	MATERIAL: SEE ABOVE	TITLE: SURFACE MOUNT JUMPER (TAPE AND REELED)
HARWIN INC U.S.A. TEL: (812) 542 2540 FAX: (812) 542 2541	HARWIN PLC U.K. TEL: 023 9231 4545 FAX: 023 9231 4590	HARWIN PTE SINGAPORE TEL: 65 6779 4909 FAX: 65 6779 3868		FINISH: S/AREA: mm ²	DRAWING NUMBER: S1621-XXR	SHT 2 OF 2