

# Gecko

## Contents

	Introduction	4
Gecko-MT: Power/Signal 1.25mm pitch High-Reliability Connectors		
	Specifications	6
	Female Connectors	8
	Female Backshells	13
	Male Connectors	14
	Male Backshells	19
Gecko-SL: Screw-Lok 1.25mm pitch High-Reliability Connectors		
	Specifications	20
	Female Connectors & Cable Assemblies	22
	Female Backshells	32
	Male Connectors & Cable Assemblies	33
	Male Backshells	45
Gecko with Latches: 1.25mm pitch High-Reliability Connectors		
	Specifications	47
	Female Connectors & Cable Assemblies	49
	Male Connectors & Cable Assemblies	56
	Tooling	66

# Gecko Connectors Introduction

GECKO

Gecko is a 1.25mm pitch High-Reliability connector range from Harwin. Improving on the popular 2mm pitch Datamate series, and harnessing the modern technology of micro-machining, this range brings the best of the high-reliability specifications to a smaller size.

Gecko provides a low-profile, dual-row solution for all variations of cable-to-board, board-to-board and cable-to-cable interconnect requirements. With up to 50 contacts per connector, but still capable of 2A per contact, Gecko gives both significant weight and space-saving advantages over Micro-D connections. The Gecko range offers either latching connectors, for maximum weight and space-saving, or Screw-Lok connectors for maximum mating strain relief.

- ❖ 2A per contact (all electrically loaded; 2.8A per individual contact)
- ❖ 4-finger Patented\* contact design to maintain electrical contact through high vibration and shock
- ❖ Beryllium Copper Contact for improved temperature range: -65°C to +150°C
- ❖ 1,000 Mating cycles durability
- ❖ Weight and Space-saving over Micro-D connector products
- ❖ Future-proofed Materials - Halogen-free, PFOS-free, SVHC-free and RoHS compliant
- ❖ Low outgassing properties - 0.68% TML, 0.01% CVM, 0.26 WVR (Water Vapour Recovered)
- ❖ All PCB connectors available in Tape and Reel for automation

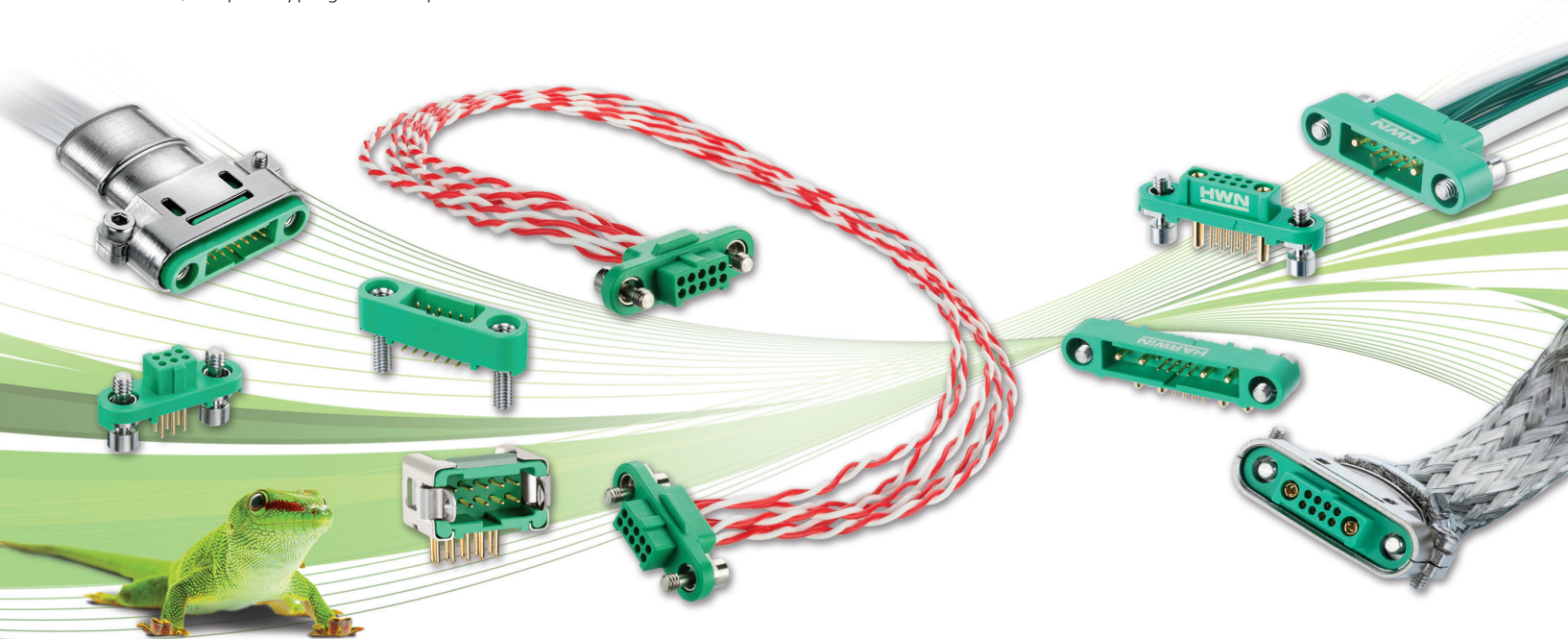
\*Granted US9017089, Pending GB2501063, Pending EP2642604

## Gecko-SL or Latches

- ❖ Strong stainless steel screw fixings for maximum strain relief, or lightweight space-saving robust latches
- ❖ Lightweight hoods for additional cable protection and shielding
- ❖ Choices of pre-wired contacts or full cable assemblies from stock, for prototyping and full production

## Gecko-MT

- ❖ Additional power contacts incorporated into the smallest, lightest mixed-layout connector
- ❖ Choice of 2 or 4 power contacts rated to 13A each
- ❖ Compatible with existing lightweight metal hoods



Patent Published

# Gecko Connectors Product Features

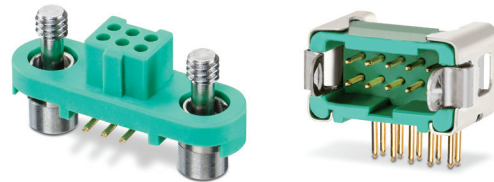
## Four Finger Beryllium Copper Contact

Unique patented pending high-reliability contact design ensures signal integrity under extremes of bump, vibration and shock. Durable to over 1,000 mating cycles.



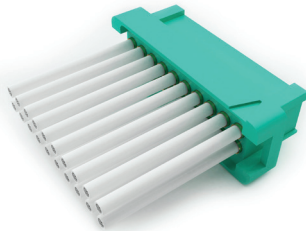
## Keyway Polarization Points

3 polarizing points on each component prevent mis-mating.



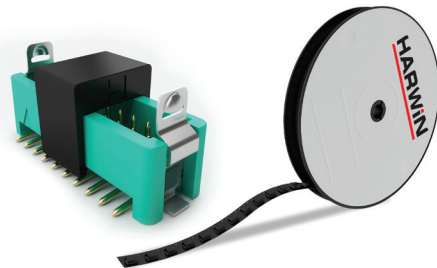
## No. 1 Position identified, Potting Wall

Housings are clearly marked with identifier for fast visual inspection. Cable connectors feature a rear potting wall adding an extra level of strain relief.



## Packaged in Tape & Reel

All connectors for PCB assembly are available packaged in industry standard Tape and Reel format for automated assembly.



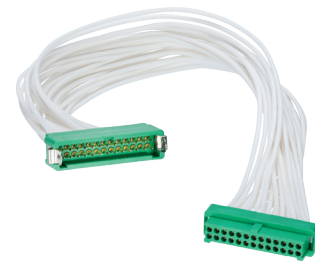
## Robust Metal Backshells

Lightweight aluminium hoods / backshells available for all connector sizes from stock. Supplied with tie-bands to attach external braiding for shielded cable assemblies.



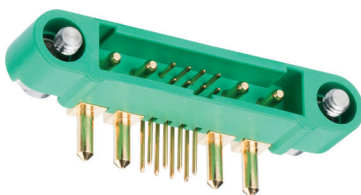
## Pre-assembled Cable Configurations

Cable connectors supplied in ready-made cable assemblies. Single and double-ended configurations available in standard lengths off-the-shelf, or custom assemblies on request.



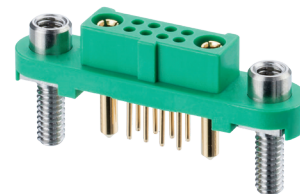
## Minimal Outgassing

Low outgassing properties from future-proofed plastic; within NASA and ESA recommendations.



## Operating Temperature Range

Performance is maintained across the full operating temperature range of -65°C to +150°C.



# Gecko-MT Connectors Specifications

## Materials

Housings:	Glass-filled High Temperature Thermoplastic UL94V-0
Female contacts:	Beryllium Copper
Male contacts	
Signal PCB Connector:	Phosphor Bronze
Signal Crimp:	Brass
Power (all):	Beryllium Copper
Finish	
Signal Contacts:	0.2 - 0.3 $\mu$ m (8 - 12 $\mu$ "") Gold, over 1.5 - 2.0 $\mu$ m (60 - 80 $\mu$ "") Nickel
Power Contacts:	0.8 - 1.0 $\mu$ m (30 - 40 $\mu$ "") Gold, over 1.5 - 2.5 $\mu$ m (60 - 100 $\mu$ "") Nickel
Screw-Loks:	Stainless Steel

## Electrical

Current	
Signal contacts in isolation:	2.8A max (at 25°C)
Signal contacts simultaneous:	2.0A max (at 25°C)
Power contacts simultaneous:	10A max
Working voltage	
At sea level 1006 mbar:	450V DC or AC peak
At altitude 44 mbar:	250V DC or AC peak
Voltage proof	
At sea level 1013 mbar:	600V DC or AC peak
At altitude 44 mbar:	350V DC or AC peak
Contact resistance	
Initial:	20m $\Omega$ max
After conditioning:	25m $\Omega$ max
Insulation resistance	
Initial:	10G $\Omega$ min at 500V DC
After conditioning:	>1G $\Omega$ min at 500V DC

## Mechanical

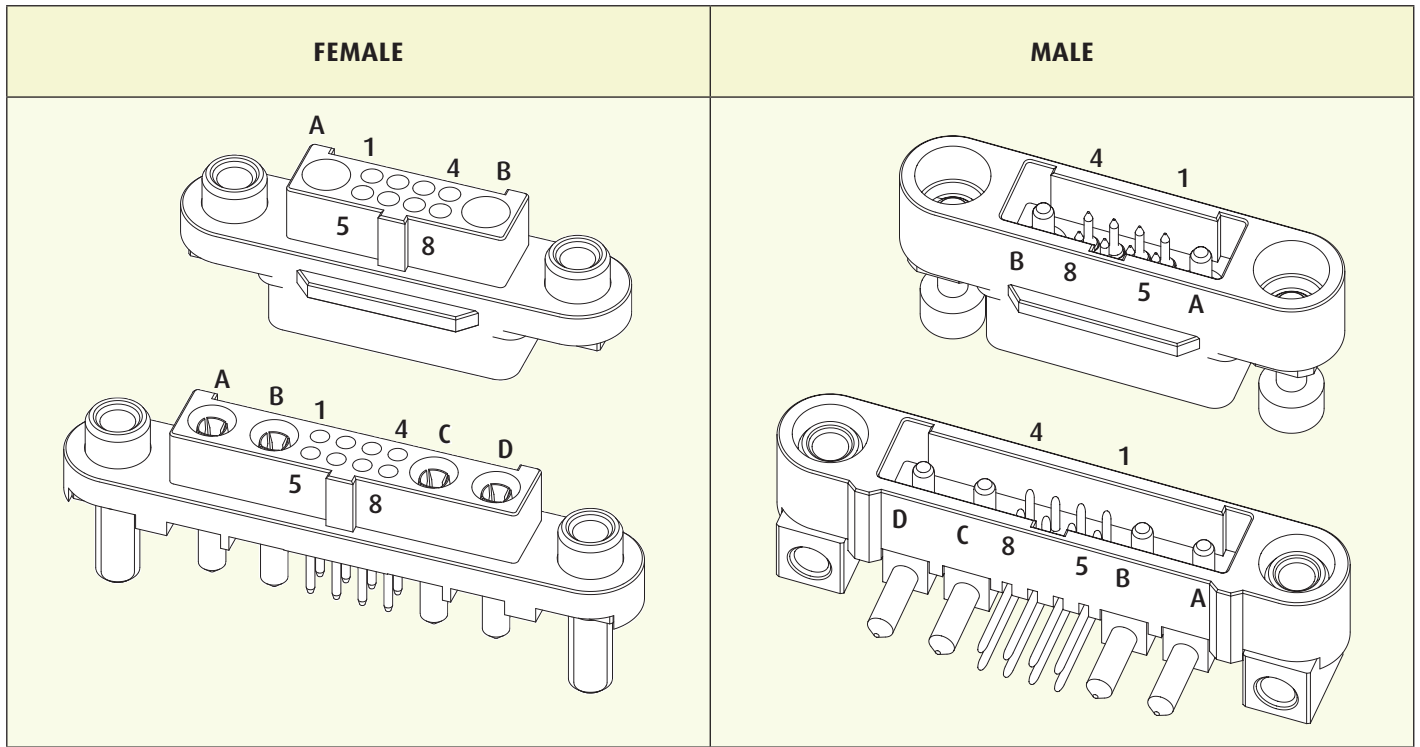
Contact durability:	1000 operations
Mating forces (per contact pair)	
Insertion force (signal):	2.8N max
Insertion force (power):	7.0N max
Withdrawal force:	0.2N min
Contact retention in housing:	6.0N max

## Environmental

Environmental classification:	65/150/56 days at 93% RH
Operating temperature:	-65°C to +150°C
*Vibration sensitivity:	10Hz to 2000Hz, 1.5mm, 198m/s <sup>2</sup> (20G) duration 6 hours
*Bump severity:	390m/s <sup>2</sup> (40G), 4000 $\pm$ 10 bumps
*Shock severity:	981m/s <sup>2</sup> (100G) for 6ms in Z axis 490m/s <sup>2</sup> (50G) for 11ms in X & Y axes
*Acceleration severity:	490m/s <sup>2</sup> (50G)

\* Tested with latched connectors.

# Gecko-MT Pin Numbering



# Gecko-MT Mating Profiles

		FEMALE	
		VERTICAL THROUGHBOARD	CABLE
MALE	HORIZONTAL THROUGHBOARD	<p>Standard: 10.05 Reverse Fix: 9.15</p>	<p>Standard: 12.70 max Reverse Fix: 11.90 max</p>
	CABLE	<p>10.95 max</p>	<p>13.35 max</p>

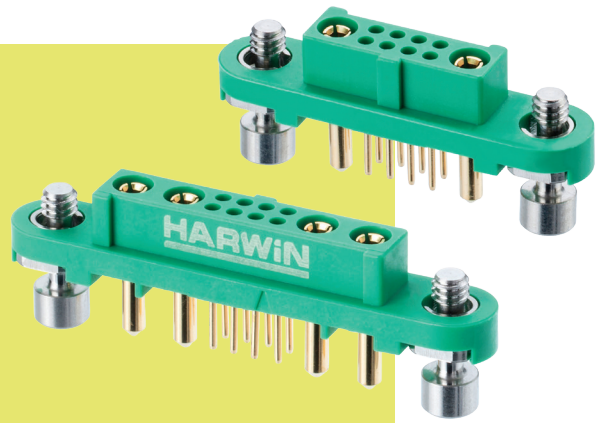
All dimensions in mm.

Patent Published

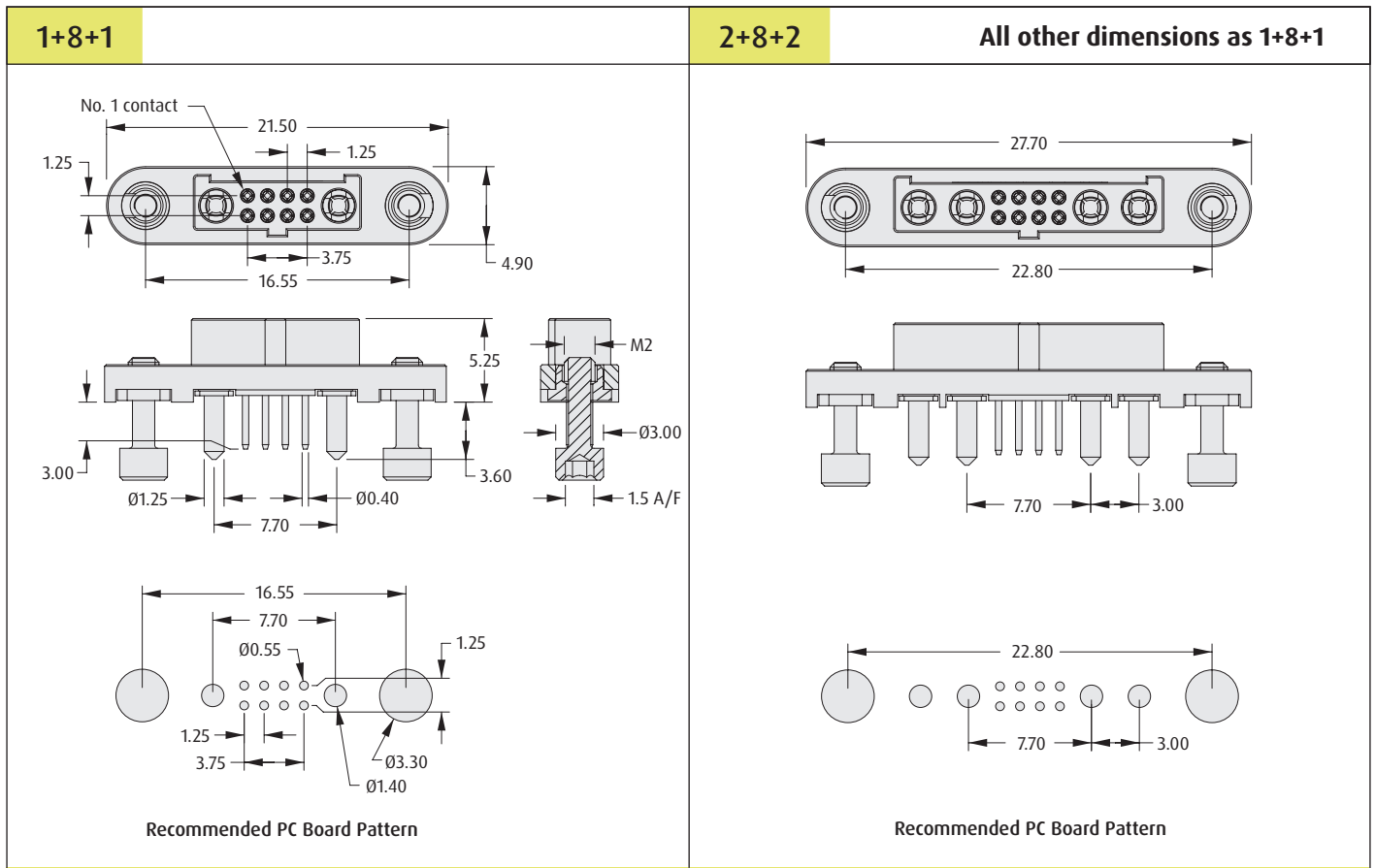
# Gecko-MT Connectors

## Female Vertical Throughboard

- 2A current rating for signal contacts, 10A for power contacts.
- Stainless steel floating screw fixing to mate with internal screw-loks on male connectors.
- 4-finger Beryllium Copper contact design on both signal and power contacts.
- Positive keyway polarization.



GECKO-MT



### HOW TO ORDER

**G125 - FV1 08 05 F1 - XABXAB P**

<b>SERIES CODE</b>	<b>PACKAGING</b>
<b>TOTAL NO. OF SIGNAL CONTACTS</b>	<b>POWER CONTACTS</b>
08	1AB1AB 1+8+1 Configuration
<b>SCREW-LOK</b>	2AB2AB 2+8+2 Configuration
F1 Floating Hex Socket	

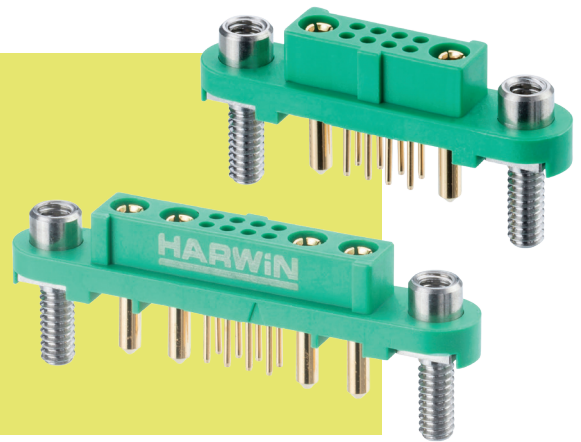
All dimensions in mm.

Patent Published

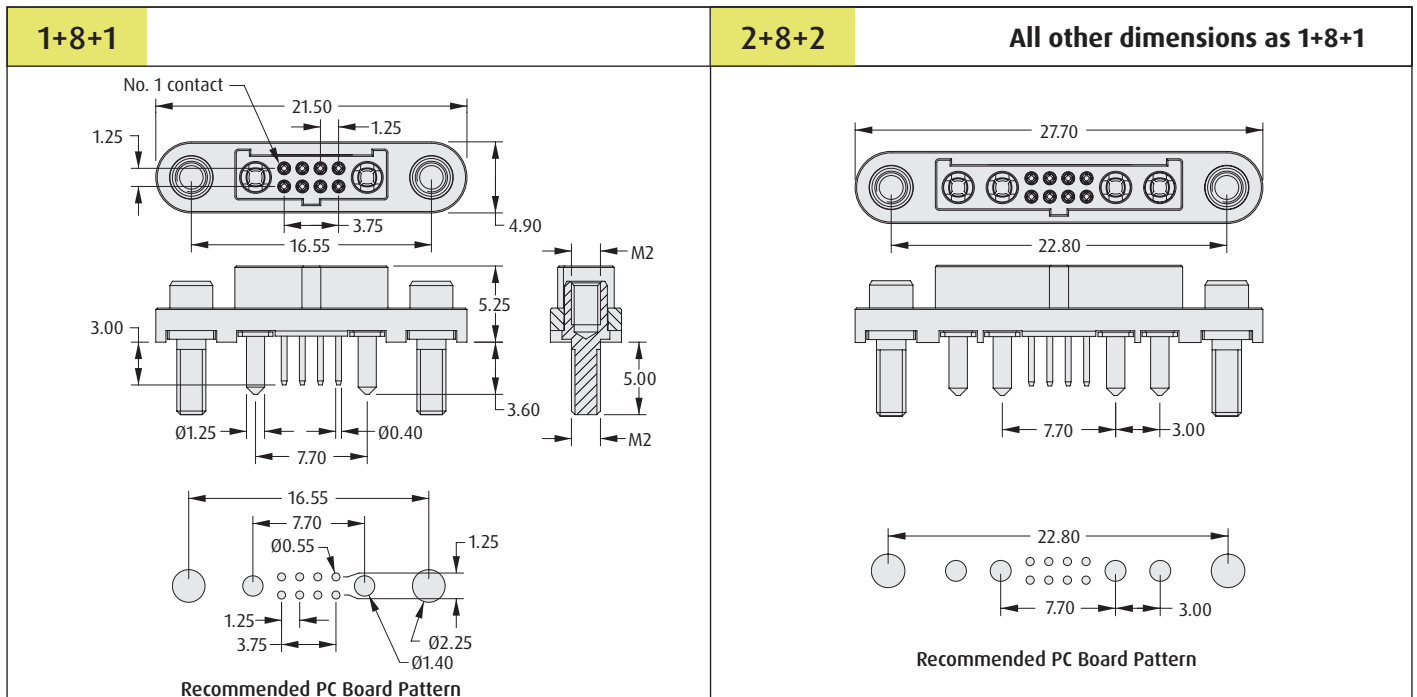
# Gecko-MT Connectors

## Female Vertical Throughboard – Reverse Fix

- Reverse fix screw-lok suitable for board-to-cable applications, where the female connector is located on the PCB.
- 2A current rating for signal contacts, 10A for power contacts.
- 4-finger Beryllium Copper contact design on both signal and power contacts.
- Order nuts for board-mount separately – see bottom of page for choice of nut type.



GECKO-MT



### HOW TO ORDER

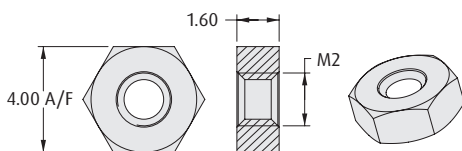
**G125 - FV1 08 05 F3 - XABXAB P**

<b>SERIES CODE</b> G125		<b>PACKAGING</b> P Tape & Reel strips				
<b>TOTAL NO. OF SIGNAL CONTACTS</b> 8		<b>POWER CONTACTS</b>				
<b>SCREW-LOK</b> F3 Reverse Fix		<table border="1"> <tr> <td><b>1AB1AB</b></td> <td>1+8+1 Configuration</td> </tr> <tr> <td><b>2AB2AB</b></td> <td>2+8+2 Configuration</td> </tr> </table>	<b>1AB1AB</b>	1+8+1 Configuration	<b>2AB2AB</b>	2+8+2 Configuration
<b>1AB1AB</b>	1+8+1 Configuration					
<b>2AB2AB</b>	2+8+2 Configuration					

### REQUIRED HARDWARE

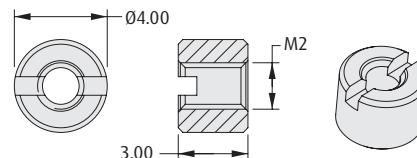
Order separately from connector

#### Hexagonal Board Mount Nut



**ORDER CODE**  
G125-4500000B

#### Slotted Board Mount Nut



**ORDER CODE**  
G125-4510000B

All dimensions in mm.

Patent Published

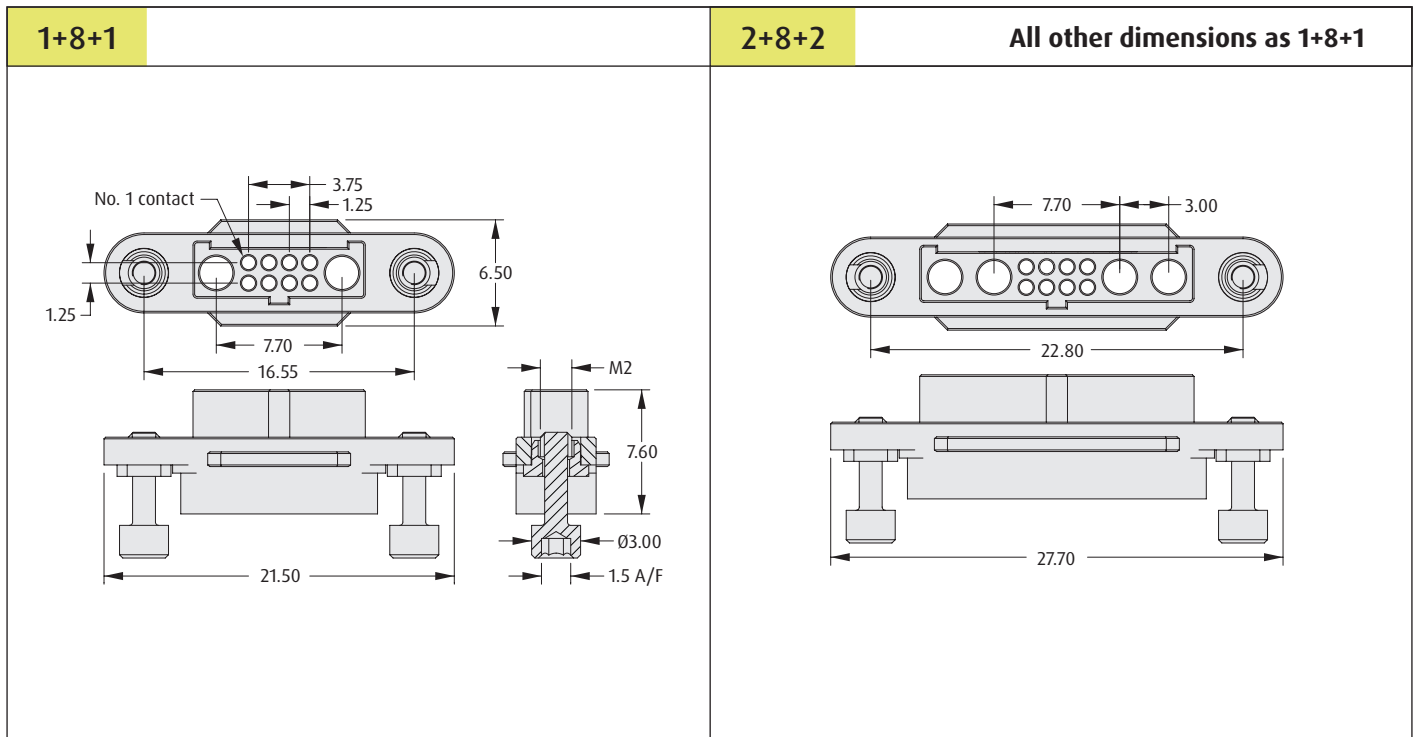
# Gecko-MT Connectors

## Female Cable Housings

- Features potting wall for backpotting to give extra security.
- No. 1 position identified on housing.
- Stainless steel floating screw fixing to mate with internal screw-loks on male connectors.
- Available without fixing screws, for use with metal backshells.
- Use with female crimp contacts shown on a following page.



GECKO-MT



### HOW TO ORDER

**G125 - 22496 XX - 0X - 08 - 0X**

#### SERIES CODE

#### SCREW-LOK

<b>F1</b>	Floating Hex Socket
<b>00</b>	No Fixings (Use with Metal Hoods)

#### NO. OF CONTACTS

<b>01-08-01</b>	1+8+1 Configuration
<b>02-08-02</b>	2+8+2 Configuration

All dimensions in mm.

Patent Published



# Gecko-MT Connectors

## Female Cable Housings – Reverse Fix

- ❖ Reverse fix screw-lok, where the male connector has the floating screw.
- ❖ Features potting wall for backpotting to give extra security.
- ❖ No. 1 position identified on housing.
- ❖ Use with female crimp contacts shown on following page.



GECKO-MT

1+8+1	2+8+2
<p style="text-align: right;"><b>All other dimensions as 1+8+1</b></p>	

### HOW TO ORDER

**G125 - 22496 F2 - 0X - 08 - 0X**

**SERIES CODE**

**SCREW-LOK**

F2 Internal Thread

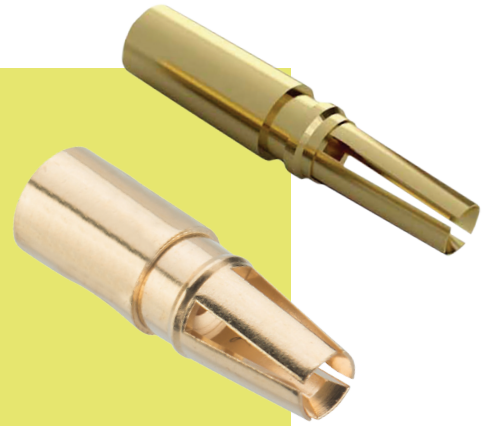
**NO. OF CONTACTS**

01-08-01	1+8+1 Configuration
02-08-02	2+8+2 Configuration

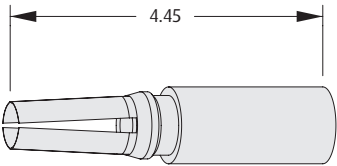
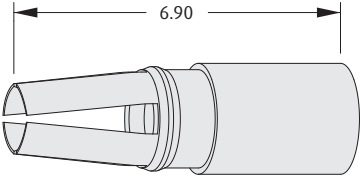
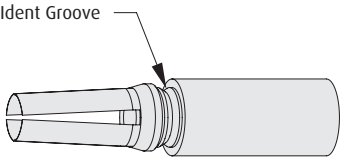
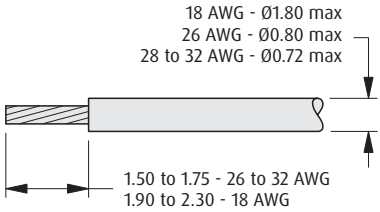
# Gecko-MT Connectors

## Female Crimp Contacts

- 4-finger Beryllium Copper contact design on both signal and power contacts.
- Crimp barrel meets all crimp guidelines and standards.
- Instruction video online at [www.harwin.com/harwintv](http://www.harwin.com/harwintv).



GECKO-MT

CONTACTS	POWER CONTACT												
<p><b>26 AWG</b></p> 	<p><b>18 AWG</b></p> 												
<p><b>28 - 32 AWG</b></p> 	<p><b>WIRE STRIPPING DETAILS</b></p>  <p>18 AWG - Ø1.80 max                  26 AWG - Ø0.80 max                  28 to 32 AWG - Ø0.72 max</p> <p>1.50 to 1.75 - 26 to 32 AWG                  1.90 to 2.30 - 18 AWG</p>												
TOOLS													
<p><b>Recommended Crimp Tools</b> - Z125-900 (signal), Z125-903 (power)</p> <p><b>Positioner</b> - Z125-901 (signal), Z125-904 (power)</p> <p><b>Contact Insertion/Removal Tool</b> - Z125-902 (signal), Z125-905 (power)</p> <ul style="list-style-type: none"> <li>Female crimp housings shown on previous pages.</li> <li>Instruction sheets available at <a href="http://www.harwin.com/instructions">www.harwin.com/instructions</a>.</li> </ul>													
HOW TO ORDER													
<p style="text-align: center;"><b>G125 - 0XX 00 05</b></p> <div style="display: flex; justify-content: space-between;"> <div data-bbox="146 1654 318 1696" style="border: 1px solid black; padding: 2px;"> <p><b>SERIES CODE</b></p> </div> <div data-bbox="146 1730 581 1885" style="border: 1px solid black; padding: 2px;"> <table border="1"> <thead> <tr> <th colspan="2">TYPE</th> </tr> </thead> <tbody> <tr> <td><b>001</b></td> <td>Female 26 AWG crimp contact</td> </tr> <tr> <td><b>002</b></td> <td>Female 28-32 AWG crimp contact</td> </tr> <tr> <td><b>050</b></td> <td>Female power crimp contact</td> </tr> </tbody> </table> </div> <div data-bbox="1318 1709 1474 1789" style="border: 1px solid black; padding: 2px;"> <table border="1"> <thead> <tr> <th colspan="2">FINISH</th> </tr> </thead> <tbody> <tr> <td><b>05</b></td> <td>Gold</td> </tr> </tbody> </table> </div> </div>		TYPE		<b>001</b>	Female 26 AWG crimp contact	<b>002</b>	Female 28-32 AWG crimp contact	<b>050</b>	Female power crimp contact	FINISH		<b>05</b>	Gold
TYPE													
<b>001</b>	Female 26 AWG crimp contact												
<b>002</b>	Female 28-32 AWG crimp contact												
<b>050</b>	Female power crimp contact												
FINISH													
<b>05</b>	Gold												

All dimensions in mm.

Patent Published

# Gecko-MT Connectors

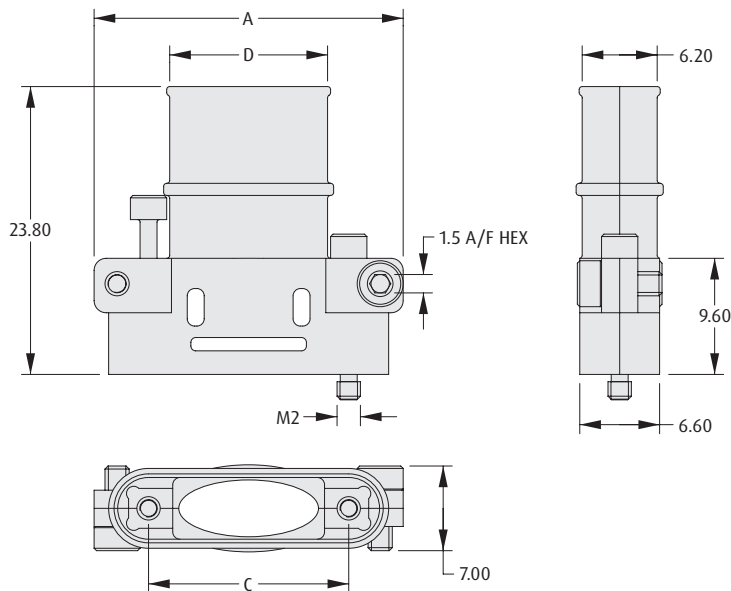
## Female Metal Hood / Backshell

- ❖ Supplied as a kit, including 2 metal hood halves, extended fixing screws for female connectors, and short screws to join the two hood halves together.
- ❖ Use with G125-2249600-xx-08-xx female crimp housings without fixings - fixings are supplied with these hoods.
- ❖ Tie-band can be used to attach external braid, to construct a shielded cable assembly.



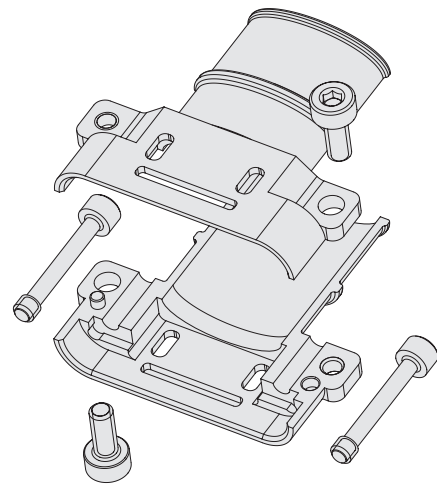
GECKO-MT

### HOOD / BACKSHELL



### CALCULATION

<b>A</b>	$B + 16.8$
<b>B</b>	$0.625 \times (\text{Total No. of contacts} - 2)$
<b>C</b>	$B + 7.8$
<b>D</b>	$B + 4.3$



### BAND-IT TIE

- ❖ For fixing braid to rear collar (requires Tie Dex II A30199 Micro Band tool).



### ORDER CODE

<b>M80-9470000</b>	Length = 206.8mm
<b>M80-9480000</b>	Length = 362.0mm

### HOW TO ORDER

**G125 - 964 XX F1**

**SERIES CODE**

### TOTAL NO. OF CONTACTS

<b>16</b>	Use with G125-2249600-01-08-01
<b>26</b>	Use with G125-2249600-02-08-02

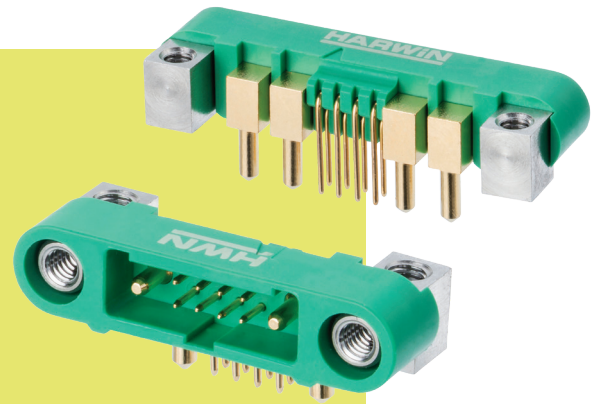
All dimensions in mm.

Patent Published

# Gecko-MT Connectors

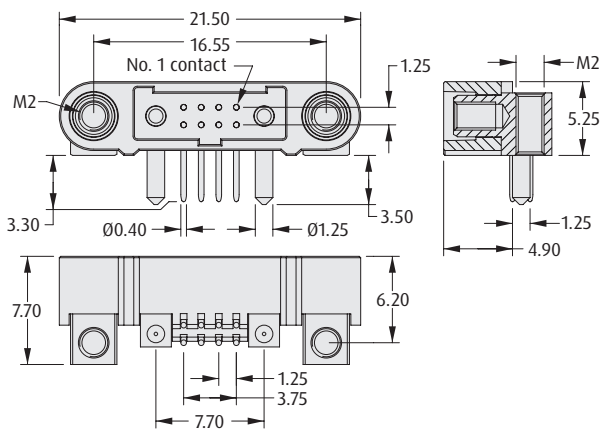
## Male Horizontal Throughboard

- 2A current rating for signal contacts, 10A for power contacts.
- Polarized housing with 3 keyways.
- Stainless steel screw fixing to mate with floating screw-loks on female connectors, also with board mount thread.
- Order bolts for board-mount separately – see bottom of page.



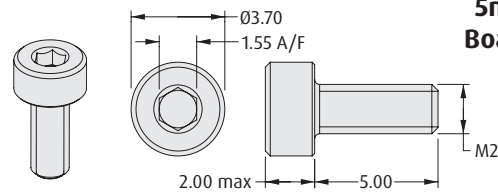
G125-MT

**1+8+1**



**REQUIRED HARDWARE**

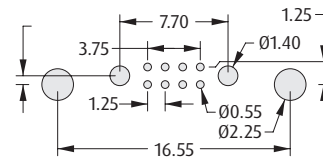
Order separately from connector



**5mm Hex Socket  
Board Mount Bolt**

**ORDER CODE**

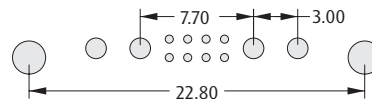
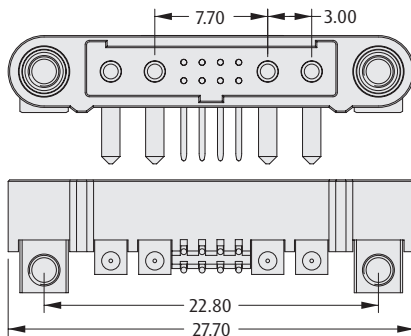
**G125-452000B**



Recommended PC Board Pattern

**2+8+2**

All other dimensions as 1+8+1



Recommended PC Board Pattern

### HOW TO ORDER

**G125 - MH1 08 05 M4 - XADXAD P**

**SERIES CODE**

**TOTAL NO. OF SIGNAL CONTACTS**

**08**

**SCREW-LOK**

**M4** With Board Mount

**PACKAGING**

**P** Tape & Reel strips

**POWER CONTACTS**

**1AD1AD** 1+8+1 Configuration

**2AD2AD** 2+8+2 Configuration

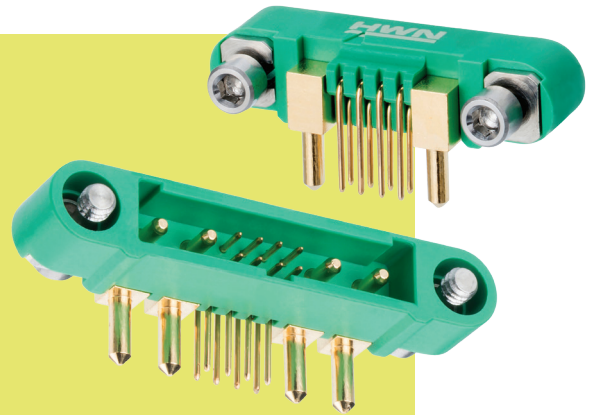
All dimensions in mm.

Patent Published

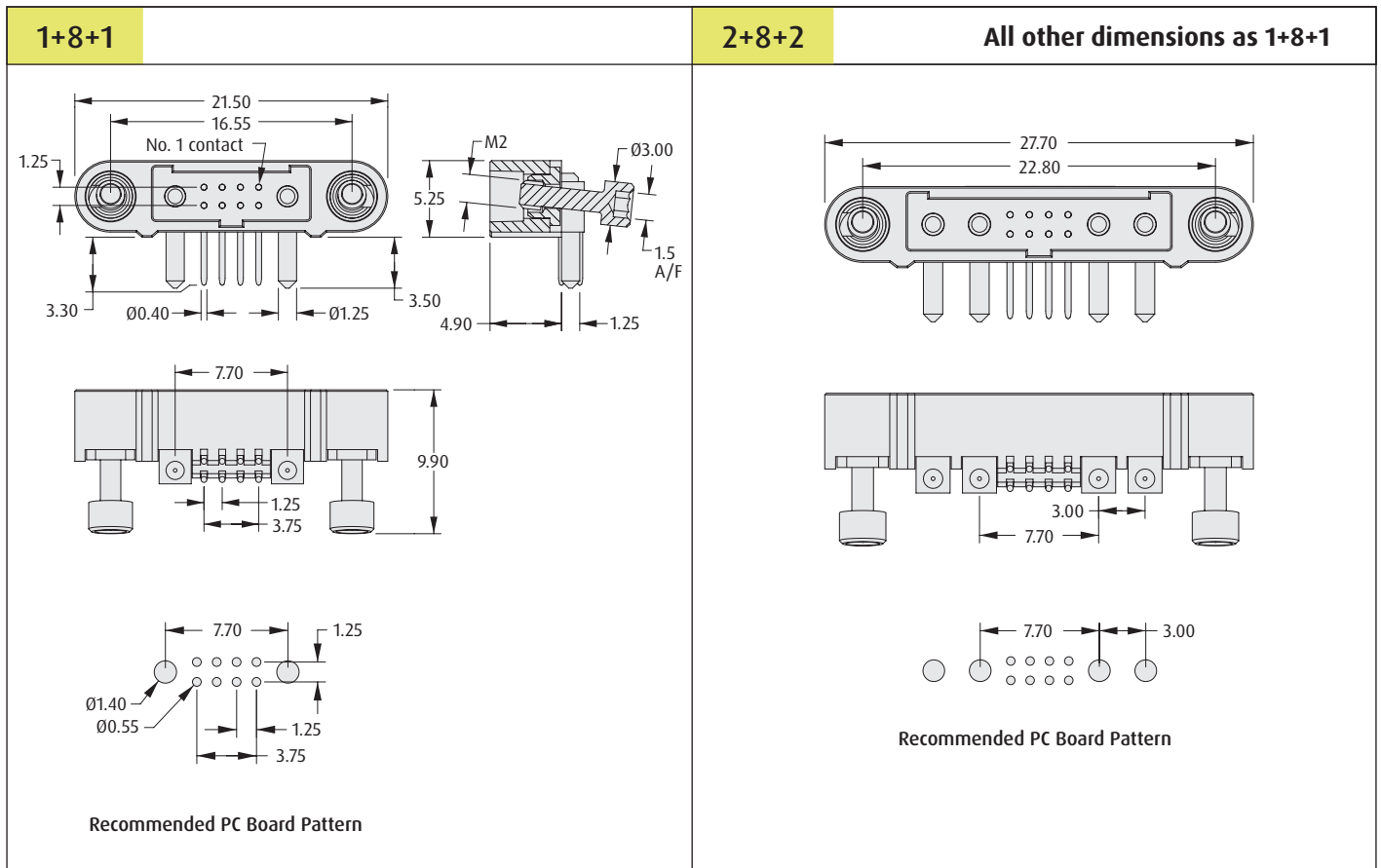
# Gecko-MT Connectors

## Male Horizontal Throughboard – Reverse Fix

- ❖ Reverse fix screw-lok, where the male connector has the floating screw.
- ❖ 2A current rating for signal contacts, 10A for power contacts.
- ❖ Polarized housing with 3 keyways.



GECKO-MT



All dimensions in mm.

Patent Published

# Gecko-MT Connectors

## Male Cable Housings

- Features potting wall for backpotting to give extra security.
- No. 1 position identified on housing.
- Stainless steel screw fixing to mate with floating screw-loks on female connectors.
- Compatible with metal backshells.
- Use with male crimp contacts shown on a following page.



GECKO-MT

1+8+1	2+8+2	All other dimensions as 1+8+1

TOOLS	
<p><b>Recommended Crimp Tools</b> - Z125-900 (signal), Z125-903 (power)</p> <p><b>Positioner</b> - Z125-901 (signal), Z125-904 (power)</p> <p><b>Contact Insertion/Removal Tool</b> - Z125-902 (signal), Z125-905 (power)</p>	<ul style="list-style-type: none"> <li>Male contacts shown on a following page.</li> <li>Instruction sheets available at <a href="http://www.harwin.com/instructions">www.harwin.com/instructions</a>.</li> </ul>

### HOW TO ORDER

**G125 - 32496 M1 - 0X - 08 - 0X**

<b>SERIES CODE</b>	
<b>SCREW-LOK</b>	
M1	Internal Thread

<b>NO. OF CONTACTS</b>	
01-08-01	1+8+1 Configuration
02-08-02	2+8+2 Configuration

All dimensions in mm.

Patent Published

# Gecko-MT Connectors

## Male Cable Housings – Reverse Fix

- Reverse fix floating screw-lok suitable for board-to-cable applications, where the female connector is located on the PCB.
- Features potting wall for backpotting to give extra security.
- No. 1 position identified on housing.
- Use with male crimp contacts shown on following page.



GECKO-MT

1+8+1	2+8+2

### TOOLS

**Recommended Crimp Tools** – Z125-900 (signal), Z125-903 (power)  
**Positioner** – Z125-901 (signal), Z125-904 (power)  
**Contact Insertion/Removal Tool** – Z125-902 (signal), Z125-905 (power)

- Male contacts shown on a following page.
- Instruction sheets available at [www.harwin.com/instructions](http://www.harwin.com/instructions).

### HOW TO ORDER

**G125 - 32496 M3 - 0X - 08 - 0X**

**SERIES CODE**

**SCREW-LOK**

**M3** Reverse Fix Floating Hex Socket

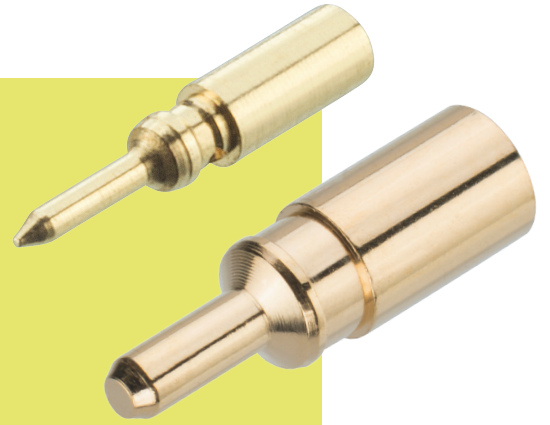
**NO. OF CONTACTS**

<b>01-08-01</b>	1+8+1 Configuration
<b>02-08-02</b>	2+8+2 Configuration

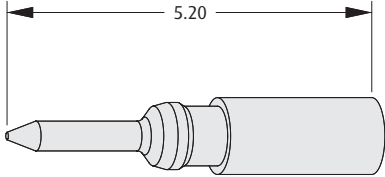
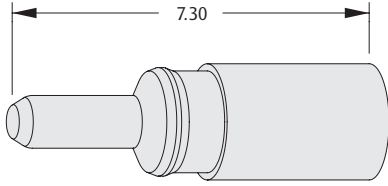
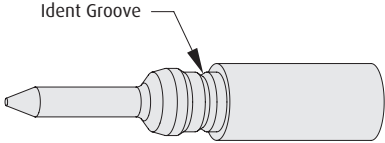
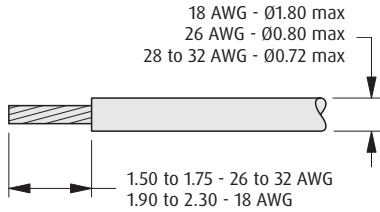
# Gecko-MT Connectors

## Male Crimp Contacts

- Crimp barrel meets all crimp guidelines and standards.
- Instruction video online at [www.harwin.com/harwintv](http://www.harwin.com/harwintv).



GECKO-MT

CONTACTS	POWER CONTACT												
<p><b>26 AWG</b></p> 	<p><b>18 AWG</b></p> 												
<p><b>28 - 32 AWG</b></p> 	<p><b>WIRE STRIPPING DETAILS</b></p>  <p>18 AWG - Ø1.80 max                  26 AWG - Ø0.80 max                  28 to 32 AWG - Ø0.72 max</p> <p>1.50 to 1.75 - 26 to 32 AWG                  1.90 to 2.30 - 18 AWG</p>												
<p><b>TOOLS</b></p> <p><b>Recommended Crimp Tools</b> - Z125-900 (signal), Z125-903 (power)  <b>Positioner</b> - Z125-901 (signal), Z125-904 (power)  <b>Contact Insertion/Removal Tool</b> - Z125-902 (signal), Z125-905 (power)</p>													
<p>➤ Male housings shown on previous pages.                  ➤ Instruction sheets available at <a href="http://www.harwin.com/instructions">www.harwin.com/instructions</a>.</p>													
<p style="text-align: center;"><b>HOW TO ORDER</b></p>													
<p style="text-align: center;"><b>G125 - 1XX 00 05</b></p> <div style="display: flex; justify-content: space-between;"> <div data-bbox="146 1654 316 1696"> <p><b>SERIES CODE</b></p> </div> <div data-bbox="146 1730 581 1885"> <table border="1"> <thead> <tr> <th colspan="2">TYPE</th> </tr> </thead> <tbody> <tr> <td><b>001</b></td> <td>Female 26 AWG crimp contact</td> </tr> <tr> <td><b>002</b></td> <td>Female 28-32 AWG crimp contact</td> </tr> <tr> <td><b>150</b></td> <td>Male power crimp contact</td> </tr> </tbody> </table> </div> <div data-bbox="1317 1709 1474 1789"> <table border="1"> <thead> <tr> <th colspan="2">FINISH</th> </tr> </thead> <tbody> <tr> <td><b>05</b></td> <td>Gold</td> </tr> </tbody> </table> </div> </div>		TYPE		<b>001</b>	Female 26 AWG crimp contact	<b>002</b>	Female 28-32 AWG crimp contact	<b>150</b>	Male power crimp contact	FINISH		<b>05</b>	Gold
TYPE													
<b>001</b>	Female 26 AWG crimp contact												
<b>002</b>	Female 28-32 AWG crimp contact												
<b>150</b>	Male power crimp contact												
FINISH													
<b>05</b>	Gold												

All dimensions in mm.

Patent Published



# Gecko-MT Connectors

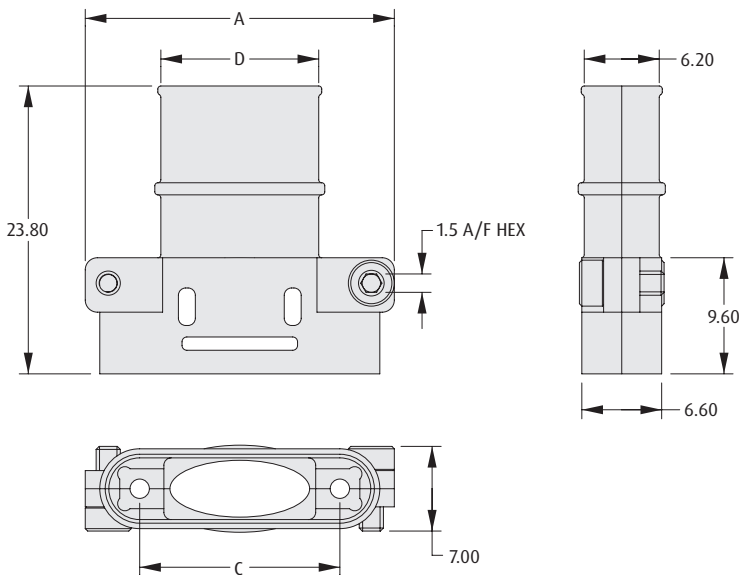
## Male Metal Hood / Backshell

- ❖ Supplied as a kit, including 2 metal hood halves and short screws to join the two hood halves together.
- ❖ Use with G125-32496M1-xx-08-xx male crimp housings.
- ❖ Tie-band can be used to attach external braid, to construct a shielded cable assembly.



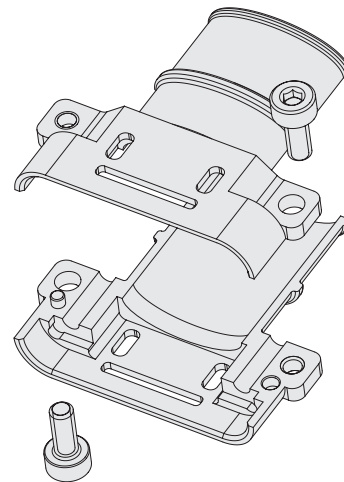
GECKO-MT

### HOOD / BACKSHELL



### CALCULATION

<b>A</b>	$B + 16.8$
<b>B</b>	$0.625 \times (\text{Total No. of contacts} - 2)$
<b>C</b>	$B + 7.8$
<b>D</b>	$B + 4.3$



### BAND-IT TIE

- ❖ For fixing braid to rear collar (requires Tie Dex II A30199 Micro Band tool).



### ORDER CODE

<b>M80-9470000</b>	Length = 206.8mm
<b>M80-9480000</b>	Length = 362.0mm

### HOW TO ORDER

**G125 - 964 XX 00**

**SERIES CODE**

### TOTAL NO. OF CONTACTS

<b>16</b>	Use with G125-32496M1-01-08-01
<b>26</b>	Use with G125-32496M1-02-08-02

All dimensions in mm.

Patent Published

# Gecko Screw-Lok Specifications

## Materials

Housings:	Glass-filled High Temperature Thermoplastic UL94V-0
Female contacts:	Beryllium Copper
Male contacts	
PCB Connector:	Phosphor Bronze
Crimp:	Brass
Finish:	0.2 – 0.3µm (8 – 12µ") Gold, over 1.5 – 2.0µm (60 – 80µ") Nickel
Screw-Loks:	Stainless Steel

## Electrical

<b>Current</b>	
Individual contacts in isolation:	2.8A max (At 25°C)
All contacts simultaneously:	2.0A max (At 25°C)
<b>Working voltage</b>	
At sea level 1006 mbar:	450V DC or AC peak
At altitude 44 mbar:	250V DC or AC peak
<b>Voltage proof</b>	
At sea level 1013 mbar:	600V DC or AC peak
<b>Contact resistance</b>	
Initial:	20mΩ max
After conditioning:	25mΩ max
<b>Insulation resistance</b>	
Initial:	10GΩ min at 500V DC
After conditioning:	>1GΩ min at 500V DC

## Mechanical

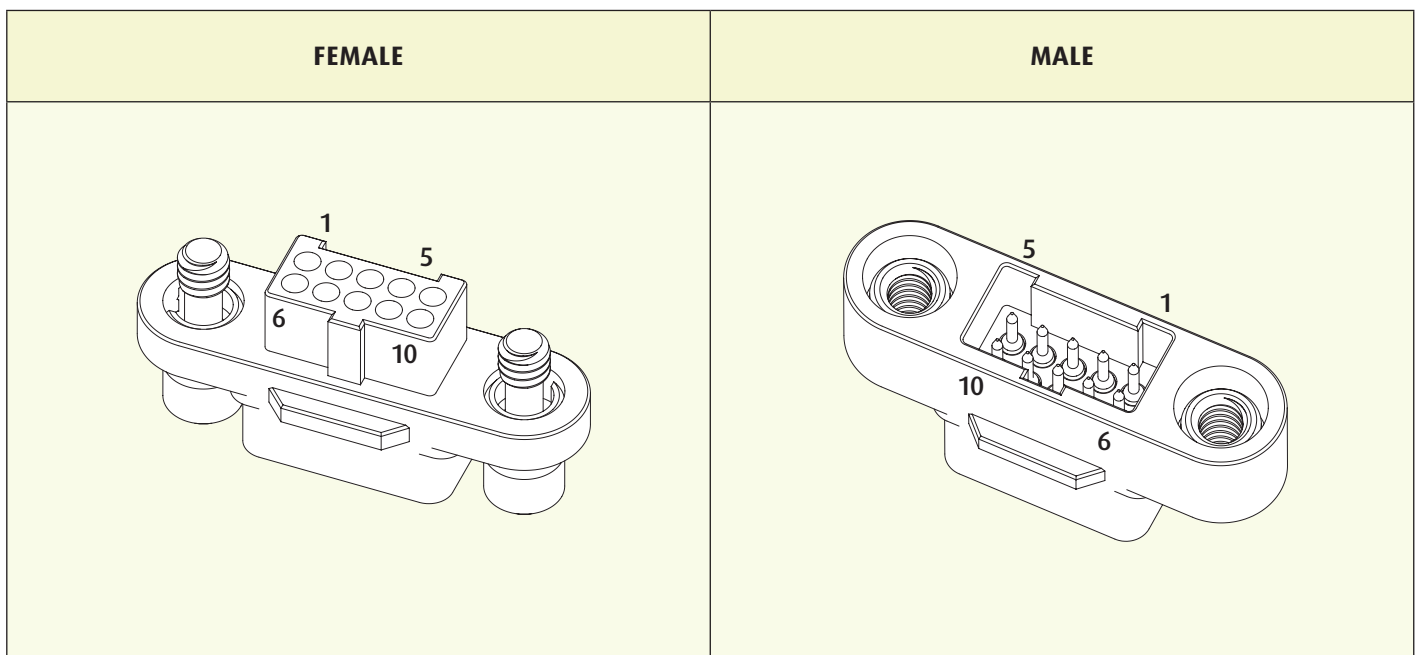
Contact durability:	1000 operations
<b>Mating forces (per contact pair)</b>	
Insertion force:	2.8N max
Withdrawal force:	0.2N min
Contact retention in housing:	6N min

## Environmental

Environmental classification:	65/150/56 days at 93% RH
Operating temperature:	-65°C to +150°C
*Vibration sensitivity:	10Hz to 2000Hz, 1.5mm, 198mm/s <sup>2</sup> (20G) duration 6 hours
*Bump severity:	390m/s <sup>2</sup> (40G), 4000 ±10 bumps
*Shock severity:	981m/s <sup>2</sup> (100G) for 6ms in Z axis 490m/s <sup>2</sup> (50G) for 11ms in X & Y axes
*Acceleration severity:	490m/s <sup>2</sup> (50G)

\* Tested with latched connectors.

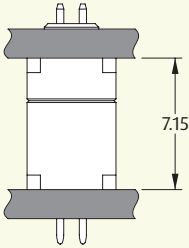
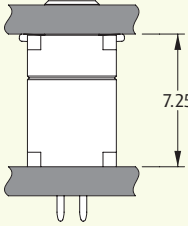
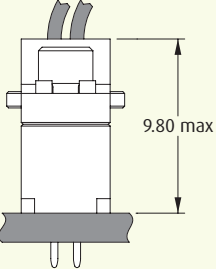
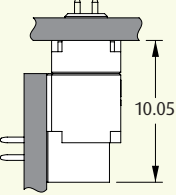
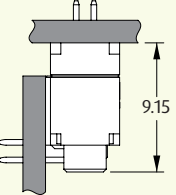
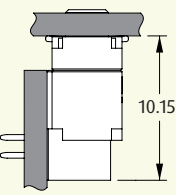
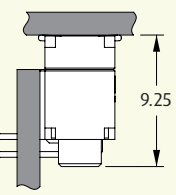
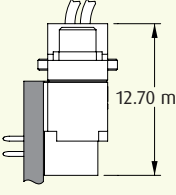
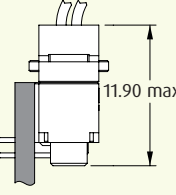
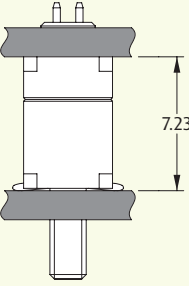
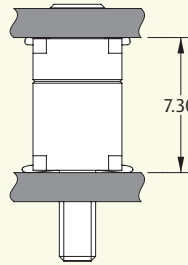
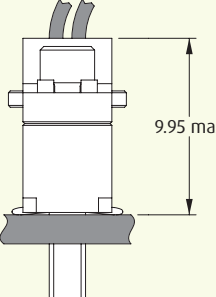
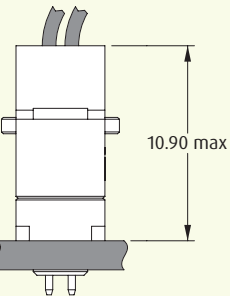
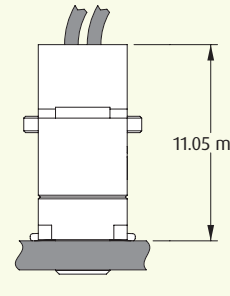
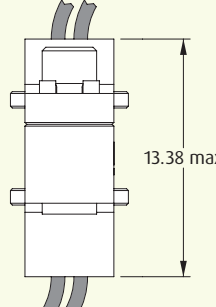
# Pin Numbering



All dimensions in mm.

Patent Published

# Gecko Screw-Lok Mating Profiles

		FEMALE		
		VERTICAL THROUGHBOARD	VERTICAL SMT	CABLE
MALE	VERTICAL THROUGHBOARD			
	HORIZONTAL THROUGHBOARD	  Standard      Reverse Fix	  Standard      Reverse Fix	  Standard      Reverse Fix
	VERTICAL SMT			
	CABLE			

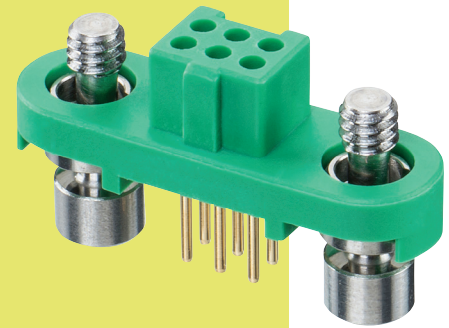
All dimensions in mm.

Patent Published

# Gecko Screw-Lok Connectors

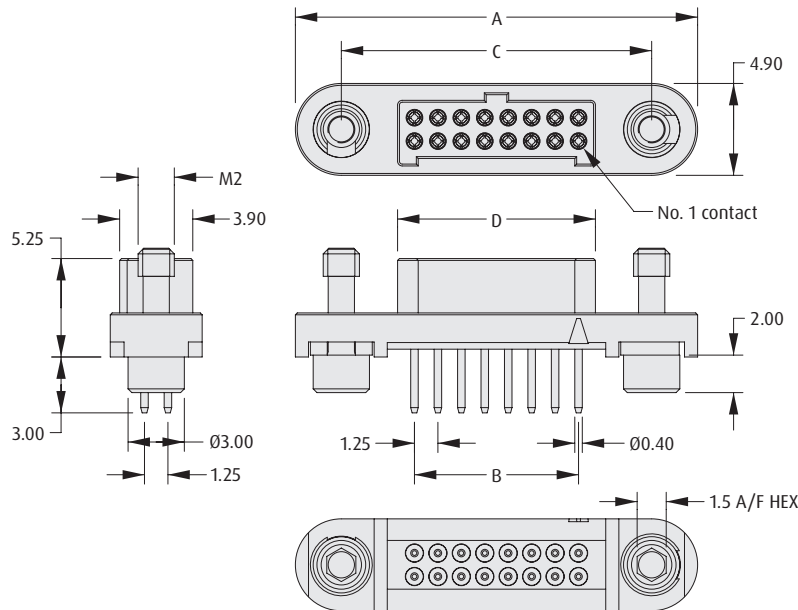
## Female Throughboard

- ❏ 4-finger Beryllium Copper contact.
- ❏ Stainless steel screw fixing to mate with applicable male connector.
- ❏ Positive keyway polarization features.
- ❏ 2A current capacity, resists high vibration and shock.
- ❏ Withstands extremes of temperature: -65°C to +150°C.



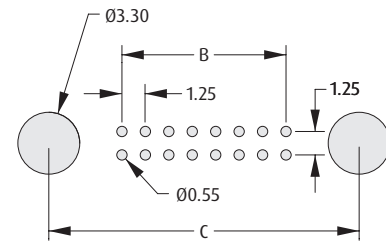
GECKO SCREW-LOK

### 3mm THROUGHBOARD



### CALCULATION

<b>A</b>	$B + 12.7$
<b>B</b>	$0.625 \times (\text{Total No. of contacts} - 2)$
<b>C</b>	$B + 7.8$
<b>D</b>	$B + 1.8$



Recommended PC Board Pattern

### HOW TO ORDER

**G125 - F V1 XX 05 F1 X**

**SERIES CODE**

**TYPE**

**V1** 3mm Throughboard

### PACKAGING

<b>R</b>	Tape & Reeled
<b>P</b>	Loose

### FINISH

**05** Gold

### TOTAL NO. OF CONTACTS

**06, 10, 12, 16, 20, 26, 34, 50**

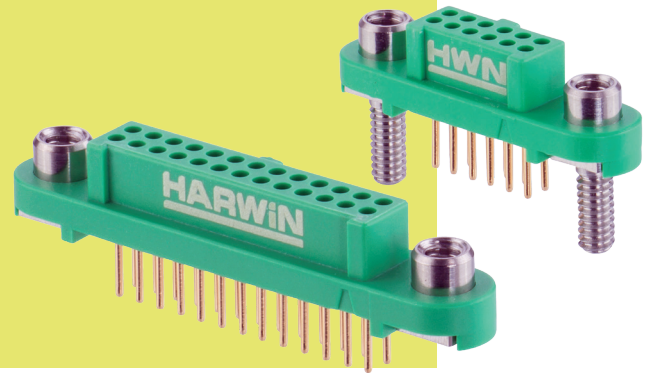
All dimensions in mm.

Patent Published

# Gecko Screw-Lok Connectors

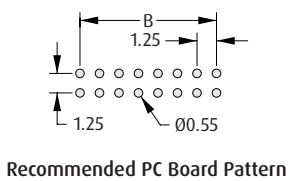
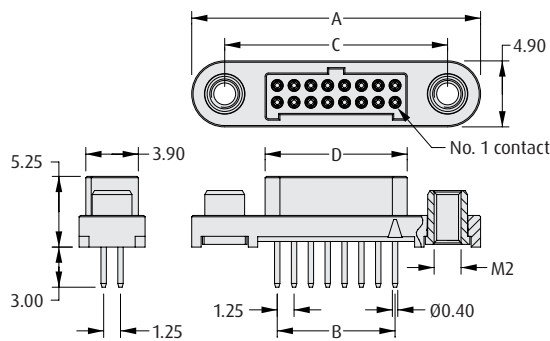
## Female Throughboard - Reverse Fix

- ❖ 4-finger Beryllium Copper contact.
- ❖ Stainless steel screw fixing to mate with applicable male connector.
- ❖ Reverse fix screw-lok suitable for board-to-cable applications, where the female connector is located on the PCB.
- ❖ Order nuts for board-mount separately - see bottom of page.



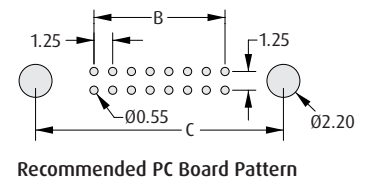
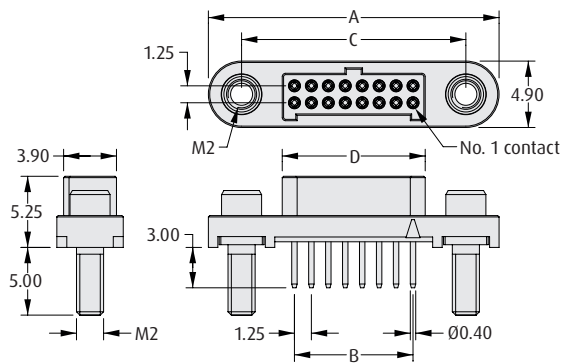
GECKO SCREW-LOK

### WITHOUT BOARD MOUNT



CALCULATION	
<b>A</b>	$B + 12.7$
<b>B</b>	$0.625 \times (\text{Total No. of contacts} - 2)$
<b>C</b>	$B + 7.8$
<b>D</b>	$B + 1.8$

### WITH BOARD MOUNT



### HOW TO ORDER

**G125 - F V1 XX 05 FX X**

#### SERIES CODE

#### TYPE

**V1** 3mm Throughboard

#### TOTAL NO. OF CONTACTS

**06, 10, 12, 16, 20, 26, 34, 50**

#### PACKAGING

<b>R</b>	Tape & Reeled
<b>P</b>	Loose

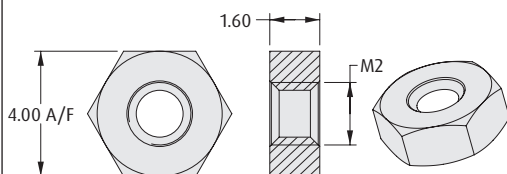
#### SCREW-LOK

<b>F2</b>	Internal Thread
<b>F3</b>	With 5mm Board Mount stud

### REQUIRED HARDWARE

Order separately from connector

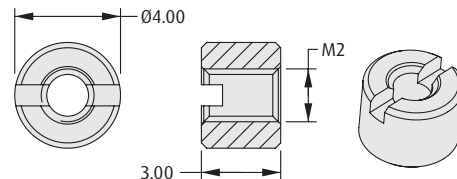
#### Hexagonal Board Mount Nut



#### ORDER CODE

**G125-4500000B**

#### Slotted Board Mount Nut



#### ORDER CODE

**G125-4510000B**

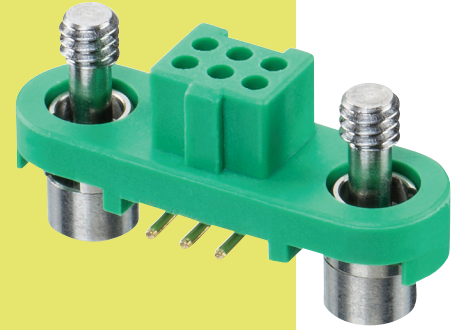
All dimensions in mm.

Patent Published

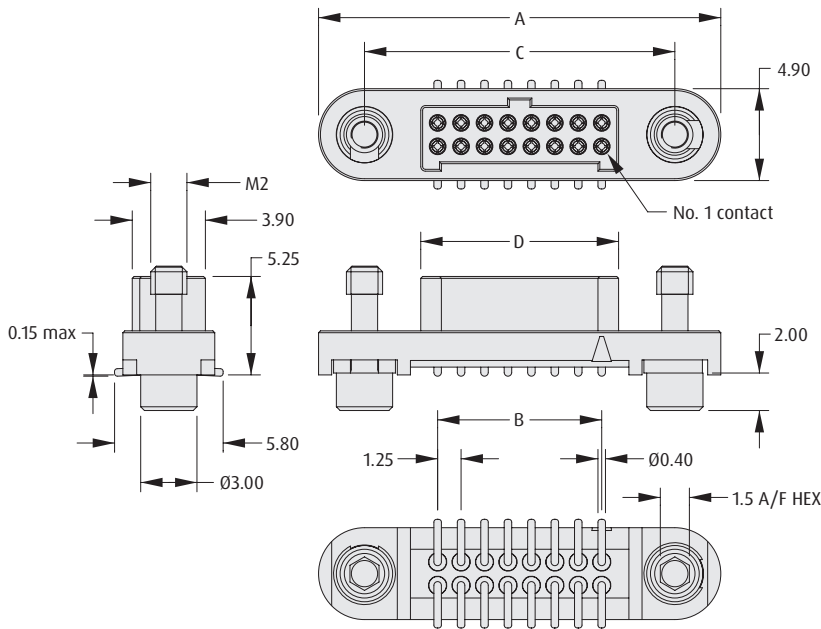
# Gecko Screw-Lok Connectors

## Female Surface Mount

- ❖ 4-finger Beryllium Copper contact.
- ❖ Stainless steel screw fixing to mate with applicable male connector.
- ❖ Positive keyway polarization features.
- ❖ 2A current capacity, resists high vibration and shock.
- ❖ Withstands extremes of temperature: -65°C to +150°C.
- ❖ Available in Tape and Reel Packaging, with Pick and Place cap.

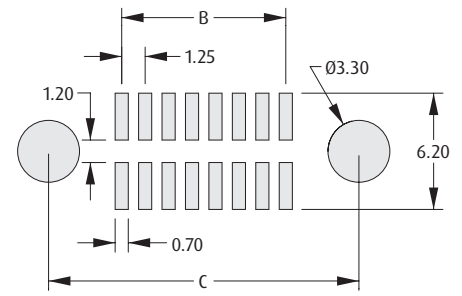


### SURFACE MOUNT



### CALCULATION

<b>A</b>	$B + 12.7$
<b>B</b>	$0.625 \times (\text{Total No. of contacts} - 2)$
<b>C</b>	$B + 7.8$
<b>D</b>	$B + 1.8$



Recommended PC Board Pattern

### HOW TO ORDER

**G125 - F S1 XX 05 F1 X**

**SERIES CODE**

**TYPE**

**S1** Surface Mount

#### PACKAGING

<b>R</b>	Tape & Reeled
<b>P</b>	Loose

#### FINISH

**05** Gold

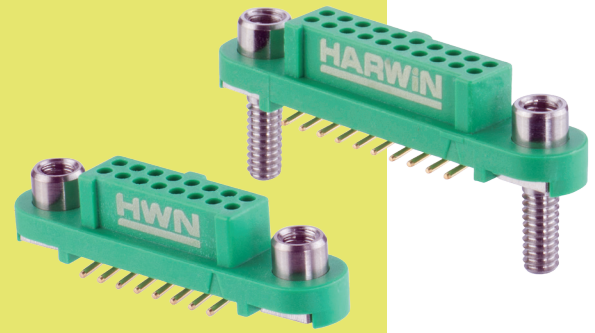
#### TOTAL NO. OF CONTACTS

**06, 10, 12, 16, 20, 26, 34, 50**

# Gecko Screw-Lok Connectors

## Female Surface Mount - Reverse Fix

- ❖ Stainless steel screw fixing to mate with applicable male connector.
- ❖ Reverse fix screw-lok suitable for board-to-cable applications, where the female connector is located on the PCB.
- ❖ Order nuts for board-mount separately - see bottom of page.
- ❖ Available in Tape and Reel Packaging, with Pick and Place cap.



GECKO SCREW-LOK

WITHOUT BOARD MOUNT	WITH BOARD MOUNT										
<p>Recommended PC Board Pattern</p>	<p>Recommended PC Board Pattern</p>										
<table border="1"> <thead> <tr> <th colspan="2">CALCULATION</th> </tr> </thead> <tbody> <tr> <td><b>A</b></td> <td><math>B + 12.7</math></td> </tr> <tr> <td><b>B</b></td> <td><math>0.625 \times (\text{Total No. of contacts} - 2)</math></td> </tr> <tr> <td><b>C</b></td> <td><math>B + 7.8</math></td> </tr> <tr> <td><b>D</b></td> <td><math>B + 1.8</math></td> </tr> </tbody> </table>		CALCULATION		<b>A</b>	$B + 12.7$	<b>B</b>	$0.625 \times (\text{Total No. of contacts} - 2)$	<b>C</b>	$B + 7.8$	<b>D</b>	$B + 1.8$
CALCULATION											
<b>A</b>	$B + 12.7$										
<b>B</b>	$0.625 \times (\text{Total No. of contacts} - 2)$										
<b>C</b>	$B + 7.8$										
<b>D</b>	$B + 1.8$										

### HOW TO ORDER

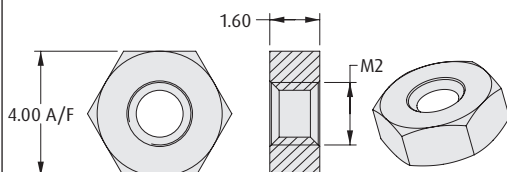
**G125 - F S1 XX 05 FX X**

<b>SERIES CODE</b>	G125	<b>PACKAGING</b>	R Tape & Reeled P Loose
<b>TYPE</b>	S1 Surface Mount	<b>SCREW-LOK</b>	F2 Internal Thread F3 With 5mm Board Mount stud
<b>TOTAL NO. OF CONTACTS</b>	06, 10, 12, 16, 20, 26, 34, 50		

### REQUIRED HARDWARE

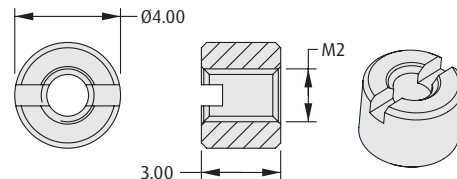
Order separately from connector

#### Hexagonal Board Mount Nut



**ORDER CODE**  
G125-4500000B

#### Slotted Board Mount Nut



**ORDER CODE**  
G125-4510000B

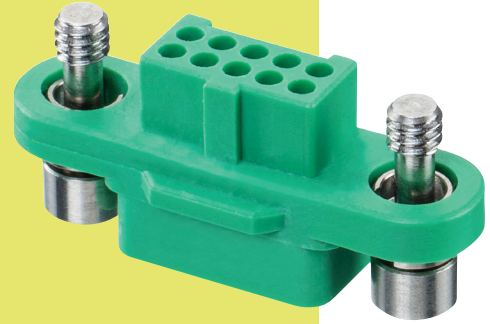
All dimensions in mm.

Patent Published

# Gecko Screw-Lok Connectors

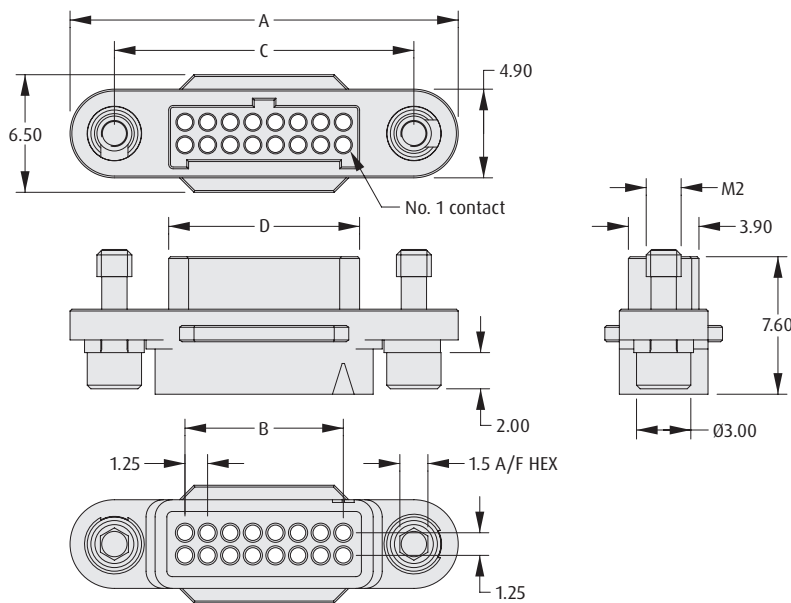
## Female Crimp Housings

- Features 2.5mm potting wall for extra security.
- No. 1 position identified on housing.
- 3 polarizing points on each housing prevent mis-mating.
- Available without fixing screws, for use with metal hoods shown on a following page.
- Use with female crimp contacts and pre-cabled contacts shown on following pages.



GECKO SCREW-LOK

### FEMALE



### CALCULATION

<b>A</b>	$B + 12.7$
<b>B</b>	$0.625 \times (\text{Total No. of contacts} - 2)$
<b>C</b>	$B + 7.8$
<b>D</b>	$B + 1.8$

### TOOLS

**Recommended Crimp Tool** - Z125-900

**Positioner** - Z125-901

**Contact Insertion/Removal Tool** - Z125-902

Female contacts shown on following pages.

Instruction sheets available at [www.harwin.com/instructions](http://www.harwin.com/instructions).

### HOW TO ORDER

**G125 - 224 XX 96 XX**

**SERIES CODE**

**TYPE**

**224** Female Housing

**TOTAL NO. OF CONTACTS**

**06, 10, 12, 16, 20, 26, 34, 50**

**SCREW-LOK**

**F1** Floating Hex Socket fixings

**00** No fixings (use with Metal Hoods)

**FINISH**

**96** Housing

All dimensions in mm.

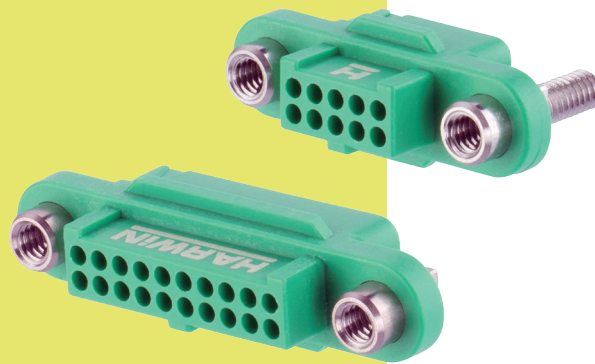
Patent Published



# Gecko Screw-Lok Connectors

## Female Crimp Housings - Reverse Fix

- Features 2.5mm potting wall for extra security.
- Use with female crimp contacts and pre-cabled contacts shown on following pages.
- Stainless steel screw fixing mates to applicable male connector fitted with floating screw-loks.
- Order nuts for panel mount separately - see bottom of page.



GECKO SCREW-LOK

WITHOUT PANEL MOUNT	WITH PANEL MOUNT										
<table border="1"> <thead> <tr> <th colspan="2">CALCULATION</th> </tr> </thead> <tbody> <tr> <td>A</td> <td><math>B + 12.7</math></td> </tr> <tr> <td>B</td> <td><math>0.625 \times (\text{Total No. of contacts} - 2)</math></td> </tr> <tr> <td>C</td> <td><math>B + 7.8</math></td> </tr> <tr> <td>D</td> <td><math>B + 1.8</math></td> </tr> </tbody> </table>		CALCULATION		A	$B + 12.7$	B	$0.625 \times (\text{Total No. of contacts} - 2)$	C	$B + 7.8$	D	$B + 1.8$
CALCULATION											
A	$B + 12.7$										
B	$0.625 \times (\text{Total No. of contacts} - 2)$										
C	$B + 7.8$										
D	$B + 1.8$										

### HOW TO ORDER

**G125 - 224 XX 96 FX**

<b>SERIES CODE</b>	G125	<b>SCREW-LOK</b>	F2	Internal Thread
<b>TYPE</b>	224	Female Housing	F3	With 5mm Panel Mount stud
<b>TOTAL NO. OF CONTACTS</b>	06, 10, 12, 16, 20, 26, 34, 50	<b>FINISH</b>	96	Housing

### TOOLS

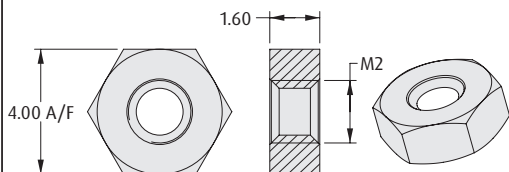
**Recommended Crimp Tool** - Z125-900  
**Positioner** - Z125-901  
**Contact Insertion/Removal Tool** - Z125-902

- Female contacts shown on following pages.
- Instruction sheets available at [www.harwin.com/instructions](http://www.harwin.com/instructions).

### REQUIRED HARDWARE

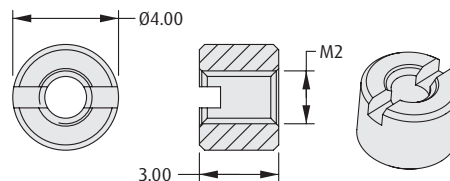
Order separately from connector

#### Hexagonal Board Mount Nut



**ORDER CODE**  
G125-45000008

#### Slotted Board Mount Nut



**ORDER CODE**  
G125-45100008

All dimensions in mm.

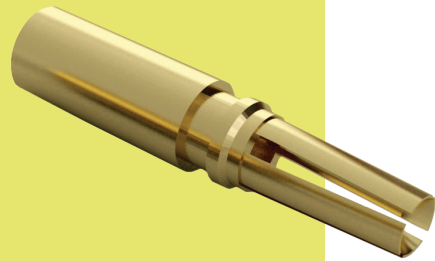
Patent Published

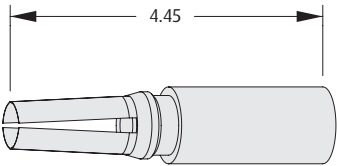
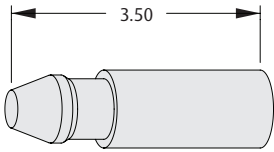
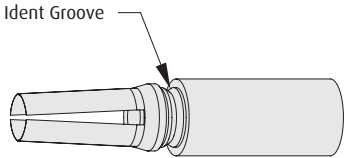
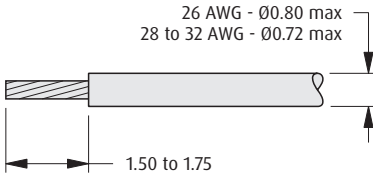
# Gecko Screw-Lok Connectors

GECKO SCREW-LOK

## Female Crimp Contacts, Dummy Contact

- ❖ 4-finger Beryllium Copper contact on a female connector.
- ❖ Crimp barrel meets all crimp guidelines and standards.
- ❖ 2A current capacity, resists high vibration and shock.
- ❖ Withstands extremes of temperature: -65°C to +150°C.
- ❖ Instruction video online at [www.harwin.com/harwintv](http://www.harwin.com/harwintv).
- ❖ Dummy Contact can be used for additional polarization of keying of multiple connectors. Also called Blanking Plug.



CONTACTS	DUMMY CONTACT												
<p><b>26 AWG</b></p> 													
<p><b>28 - 32 AWG</b></p> 	<p><b>WIRE STRIPPING DETAILS</b></p> 												
<p><b>TOOLS</b></p>													
<p><b>Recommended Crimp Tool</b> - Z125-900  <b>Positioner</b> - Z125-901  <b>Contact Insertion/Removal Tool</b> - Z125-902</p>	<ul style="list-style-type: none"> <li>❖ Female crimp housings shown on previous pages.</li> <li>❖ Pre-cabled contacts shown on following page.</li> <li>❖ Instruction sheets available at <a href="http://www.harwin.com/instructions">www.harwin.com/instructions</a>.</li> </ul>												
<p style="text-align: center;"><b>HOW TO ORDER</b></p>													
<p style="text-align: center;"><b>G125 - 0XX 00 05</b></p> <div style="display: flex; justify-content: space-between;"> <div data-bbox="147 1629 318 1667" style="border: 1px solid black; padding: 2px;"> <p><b>SERIES CODE</b></p> </div> <div data-bbox="147 1703 581 1858" style="border: 1px solid black; padding: 2px;"> <table border="1"> <thead> <tr> <th colspan="2">TYPE</th> </tr> </thead> <tbody> <tr> <td><b>001</b></td> <td>Female 26 AWG crimp contact</td> </tr> <tr> <td><b>002</b></td> <td>Female 28-32 AWG crimp contact</td> </tr> <tr> <td><b>020</b></td> <td>Dummy Contact (blanking plug)</td> </tr> </tbody> </table> </div> <div data-bbox="1317 1686 1471 1761" style="border: 1px solid black; padding: 2px;"> <table border="1"> <thead> <tr> <th colspan="2">FINISH</th> </tr> </thead> <tbody> <tr> <td><b>05</b></td> <td>Gold</td> </tr> </tbody> </table> </div> </div>		TYPE		<b>001</b>	Female 26 AWG crimp contact	<b>002</b>	Female 28-32 AWG crimp contact	<b>020</b>	Dummy Contact (blanking plug)	FINISH		<b>05</b>	Gold
TYPE													
<b>001</b>	Female 26 AWG crimp contact												
<b>002</b>	Female 28-32 AWG crimp contact												
<b>020</b>	Dummy Contact (blanking plug)												
FINISH													
<b>05</b>	Gold												

All dimensions in mm.

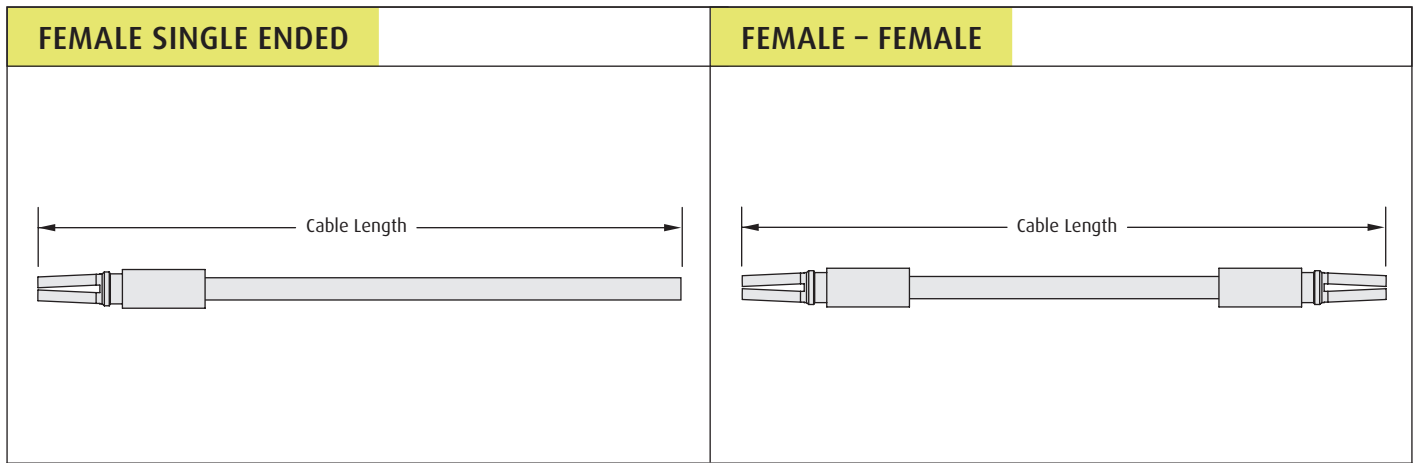
Patent Published

# Gecko Screw-Lok Connectors

GECKO SCREW-LOK

## Female Crimp Contacts – Pre-Crimped Wires

- ❖ 4-finger Beryllium Copper contact.
- ❖ Ready for assembling to housing.
- ❖ Crimp barrel meets all crimp guidelines and standards.
- ❖ 2A current capacity, resists high vibration and shock.
- ❖ Withstands extremes of temperature: -65°C to +150°C.



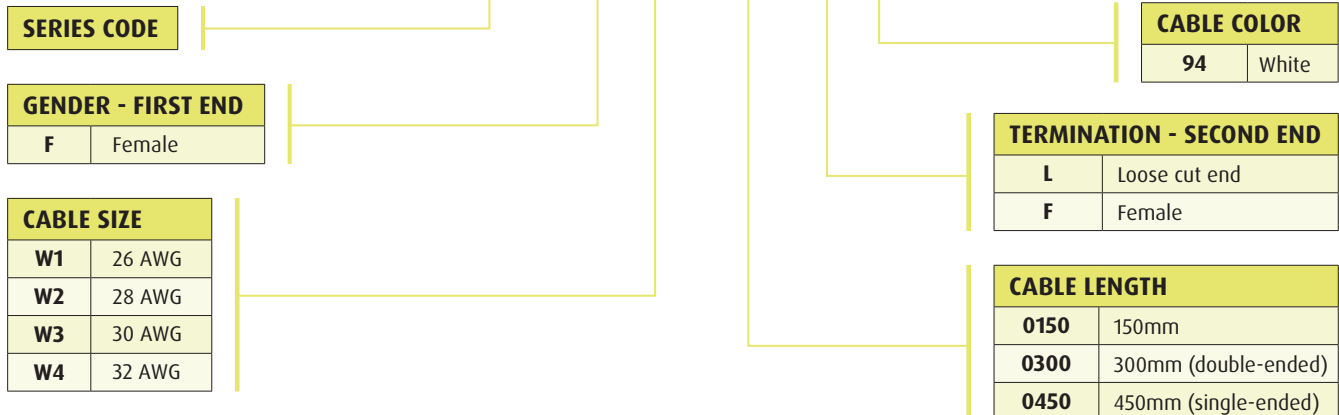
### TOOLS

**Contact Insertion/Removal Tool** – Z125-902

- ❖ Female crimp housings and loose contacts shown on previous pages.
- ❖ Instruction sheets available at [www.harwin.com/instructions](http://www.harwin.com/instructions).

### HOW TO ORDER

**G125 - F WX XXXX X 94**



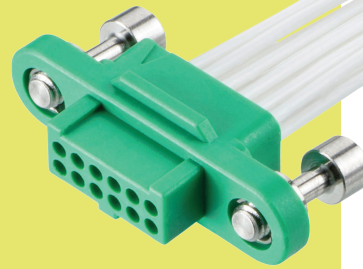
All dimensions in mm.

Patent Published

# Gecko Screw-Lok Connectors

## Female Cable Assemblies

- ❏ 4-finger Beryllium Copper contact.
- ❏ No.1 position identified on housing.
- ❏ Stainless steel screw fixing to mate with applicable male connector.
- ❏ Back potted for added strain relief.



GECKO SCREW-LOK

### PART NUMBERING SYSTEM

**G125 - F C X XX 05 FX - XXXX X**

#### SERIES CODE

#### GENDER - FIRST END

<b>F</b>	Female
----------	--------

#### CABLE SIZE

<b>1</b>	26 AWG
<b>2</b>	28 AWG

#### TOTAL NO. OF CONTACTS

<b>06, 10, 12, 16, 20, 26, 34, 50</b>
---------------------------------------

#### TERMINATION - SECOND END

<b>L</b>	Loose cut end
<b>F0 or F1</b>	Female connector (same as First End)

#### CABLE LENGTH

<b>0150</b>	150mm
<b>0300</b>	300mm (double-ended)
<b>0450</b>	450mm (single-ended)

#### SCREW-LOK

<b>F0</b>	No fixings (use with Metal Hoods)
<b>F1</b>	Floating Hex Socket fixings

#### FINISH

<b>05</b>	Gold
-----------	------

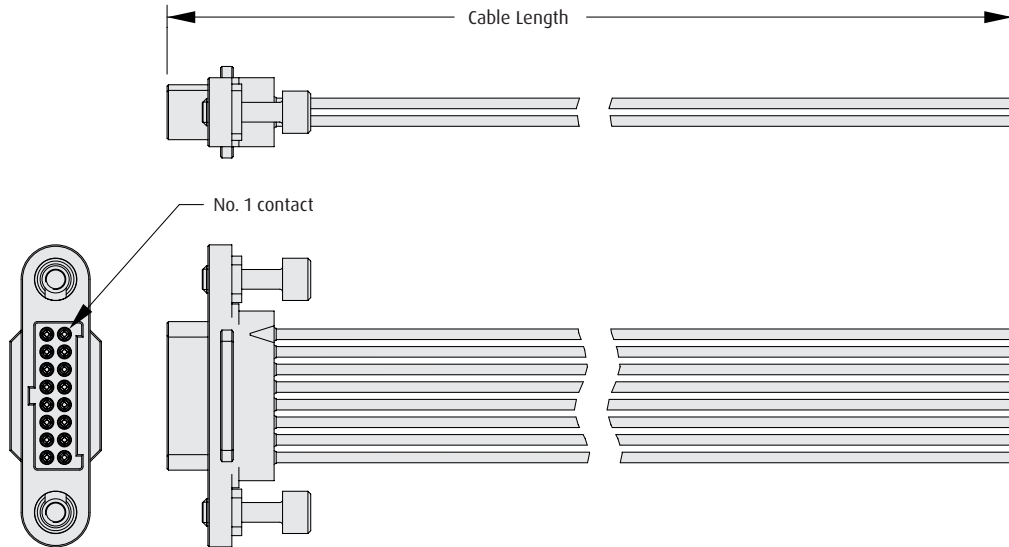
All dimensions in mm.

Patent Published

# Female Cable Assemblies

- ❖ See previous page for cable length options.
- ❖ Cable assemblies are constructed with Contact 1 attached to Contact 1, Contact 2 to Contact 2, etc.

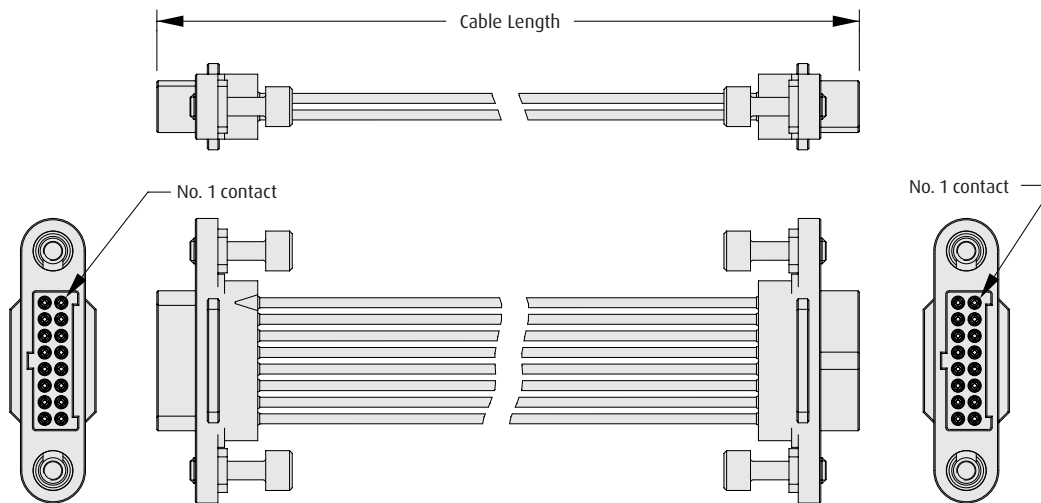
## FEMALE SINGLE ENDED



### ORDER CODE

G125-FCXX05F1-XXXXL

## FEMALE - FEMALE



### ORDER CODE

G125-FCXX05F1-XXXXF1

All dimensions in mm.

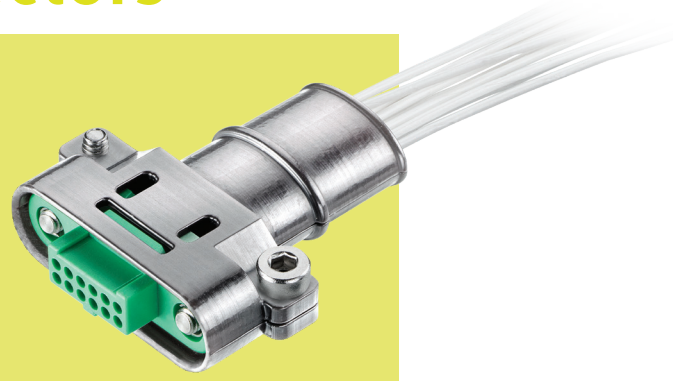
Patent Published

# Gecko Screw-Lok Connectors

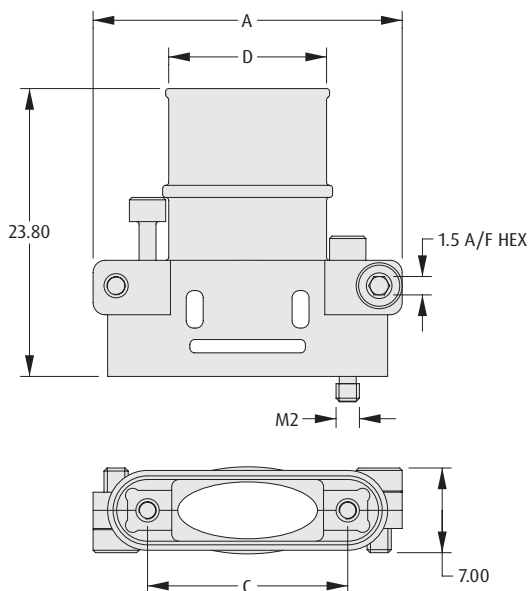
GECKO SCREW-LOK

## Female Metal Hood / Backshell

- ❖ Supplied as a kit, including 2 metal hood halves, extended fixing screws for female connectors, and short screws to join the two hood halves together.
- ❖ Use with G125-224xx9600 female crimp housings without fixings - fixings are supplied with these hoods.
- ❖ Tie-band can be used to attach external braid, to construct a shielded cable assembly.

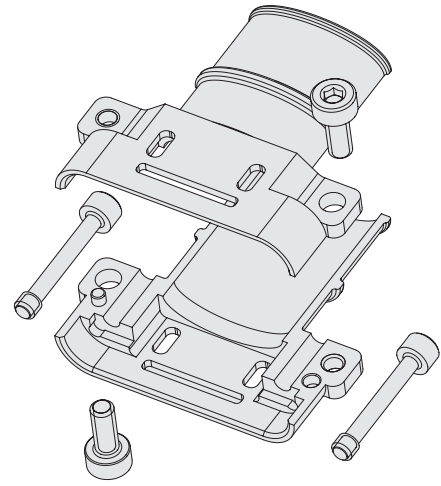


### HOOD / BACKSHELL



### CALCULATION

<b>A</b>	$B + 16.8$
<b>B</b>	$0.625 \times (\text{Total No. of contacts} - 2)$
<b>C</b>	$B + 7.8$
<b>D</b>	$B + 4.3$



### BAND-IT TIE

- ❖ For fixing braid to rear collar (requires Tie Dex II A30199 Micro Band tool).



### ORDER CODE

<b>M80-9470000</b>	Length = 206.8mm
<b>M80-9480000</b>	Length = 362.0mm

### HOW TO ORDER

**G125 - 964 XX F1**

**SERIES CODE**

**TOTAL NO. OF CONTACTS**

06, 10, 12, 16, 20, 26, 34, 50

All dimensions in mm.

Patent Published

# Gecko Screw-Lok Connectors

## Male Vertical Throughboard

- Stainless steel screw fixing to mate with applicable female connector.
- Order nuts for board-mount separately - see bottom of page.
- 2A current capacity, resists high vibration and shock.
- Withstands extremes of temperature: -65°C to +150°C.



WITHOUT BOARD MOUNT	WITH BOARD MOUNT												
<p style="text-align: center;">Recommended PC Board Pattern</p>	<p style="text-align: center;">Recommended PC Board Pattern</p>												
<table border="1" style="margin: auto;"> <thead> <tr style="background-color: #e6f2ff;"> <th colspan="2">CALCULATION</th> </tr> </thead> <tbody> <tr> <td><b>A</b></td> <td><math>B + 12.7</math></td> </tr> <tr> <td><b>B</b></td> <td><math>0.625 \times (\text{Total No. of contacts} - 2)</math></td> </tr> <tr> <td><b>C</b></td> <td><math>B + 7.8</math></td> </tr> <tr> <td><b>D</b></td> <td><math>B + 1.8</math></td> </tr> </tbody> </table>		CALCULATION		<b>A</b>	$B + 12.7$	<b>B</b>	$0.625 \times (\text{Total No. of contacts} - 2)$	<b>C</b>	$B + 7.8$	<b>D</b>	$B + 1.8$		
CALCULATION													
<b>A</b>	$B + 12.7$												
<b>B</b>	$0.625 \times (\text{Total No. of contacts} - 2)$												
<b>C</b>	$B + 7.8$												
<b>D</b>	$B + 1.8$												
<b>HOW TO ORDER</b>													
<p style="font-size: 1.2em; font-weight: bold;">G125 - M V1 XX 05 MX X</p>													
<table border="1" style="width: 100%;"> <thead> <tr style="background-color: #e6f2ff;"> <th colspan="2">SERIES CODE</th> </tr> </thead> <tbody> <tr style="background-color: #e6f2ff;"> <th colspan="2">TYPE</th> </tr> <tr> <td style="width: 10%;"><b>V1</b></td> <td>3mm Throughboard</td> </tr> </tbody> </table>	SERIES CODE		TYPE		<b>V1</b>	3mm Throughboard	<table border="1" style="width: 100%;"> <thead> <tr style="background-color: #e6f2ff;"> <th colspan="2">PACKAGING</th> </tr> </thead> <tbody> <tr> <td style="width: 10%;"><b>R</b></td> <td>Tape &amp; Reeled</td> </tr> <tr> <td><b>P</b></td> <td>Loose</td> </tr> </tbody> </table>	PACKAGING		<b>R</b>	Tape & Reeled	<b>P</b>	Loose
SERIES CODE													
TYPE													
<b>V1</b>	3mm Throughboard												
PACKAGING													
<b>R</b>	Tape & Reeled												
<b>P</b>	Loose												
<table border="1" style="width: 100%;"> <thead> <tr style="background-color: #e6f2ff;"> <th colspan="2">TOTAL NO. OF CONTACTS</th> </tr> </thead> <tbody> <tr> <td style="width: 10%;"><b>06, 10, 12, 16, 20, 26, 34, 50</b></td> <td></td> </tr> </tbody> </table>	TOTAL NO. OF CONTACTS		<b>06, 10, 12, 16, 20, 26, 34, 50</b>		<table border="1" style="width: 100%;"> <thead> <tr style="background-color: #e6f2ff;"> <th colspan="2">SCREW-LOK</th> </tr> </thead> <tbody> <tr> <td style="width: 10%;"><b>M1</b></td> <td>Internal Thread</td> </tr> <tr> <td><b>M2</b></td> <td>With 5mm Board Mount Stud</td> </tr> </tbody> </table>	SCREW-LOK		<b>M1</b>	Internal Thread	<b>M2</b>	With 5mm Board Mount Stud		
TOTAL NO. OF CONTACTS													
<b>06, 10, 12, 16, 20, 26, 34, 50</b>													
SCREW-LOK													
<b>M1</b>	Internal Thread												
<b>M2</b>	With 5mm Board Mount Stud												
<b>REQUIRED HARDWARE</b>													
<p style="text-align: center;"><b>Hexagonal Board Mount Nut</b></p> <table border="1" style="margin: auto;"> <thead> <tr style="background-color: #e6f2ff;"> <th>ORDER CODE</th> </tr> </thead> <tbody> <tr> <td>G125-4500000B</td> </tr> </tbody> </table>	ORDER CODE	G125-4500000B	<p style="text-align: center;"><b>Slotted Board Mount Nut</b></p> <table border="1" style="margin: auto;"> <thead> <tr style="background-color: #e6f2ff;"> <th>ORDER CODE</th> </tr> </thead> <tbody> <tr> <td>G125-4510000B</td> </tr> </tbody> </table>	ORDER CODE	G125-4510000B								
ORDER CODE													
G125-4500000B													
ORDER CODE													
G125-4510000B													

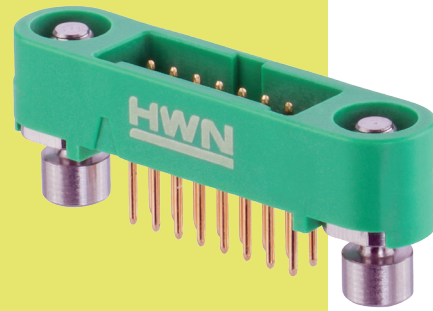
All dimensions in mm.

Patent Published

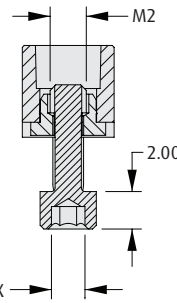
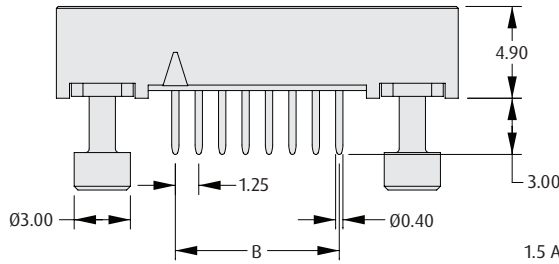
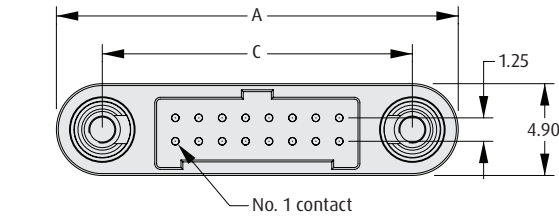
# Gecko Screw-Lok Connectors

## Male Vertical Throughboard - Reverse Fix

- ❖ Stainless steel screw fixing to mate with applicable female connector.
- ❖ No. 1 position identified on housing.

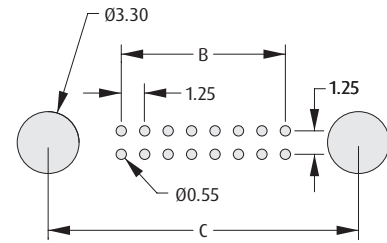


### THROUGHBOARD



### CALCULATION

<b>A</b>	$B + 12.7$
<b>B</b>	$0.625 \times (\text{Total No. of contacts} - 2)$
<b>C</b>	$B + 7.8$



Recommended PC Board Pattern

### HOW TO ORDER

**G125 - M V1 XX 05 M3 X**

**SERIES CODE**

**TYPE**

**V1** 3mm Throughboard

**TOTAL NO. OF CONTACTS**

**06, 10, 12, 16, 20, 26, 34, 50**

**PACKAGING**

<b>R</b>	Tape & Reeled
<b>P</b>	Loose

**FINISH**

**05** Gold

All dimensions in mm.

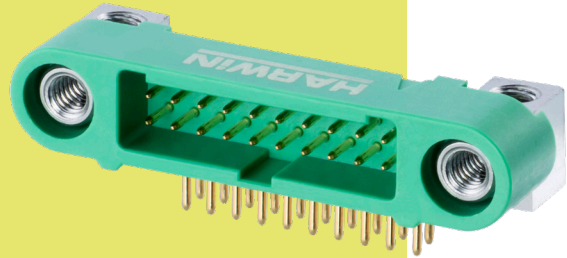
Patent Published



# Gecko Screw-Lok Connectors

## Male Horizontal Throughboard

- ❖ Stainless steel screw fixing to mate with floating screw-loks on female connectors, also with board mount thread.
- ❖ Order bolts for board-mount separately.

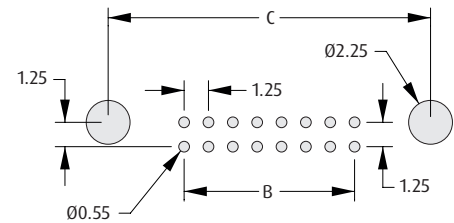
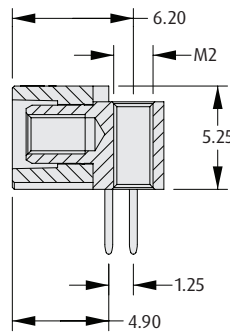
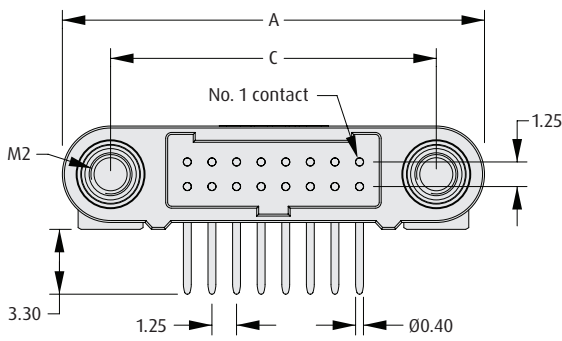


GECKO SCREW-LOK

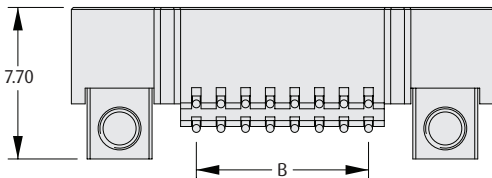
### THROUGHBOARD

### CALCULATION

<b>A</b>	$B + 12.7$
<b>B</b>	$0.625 \times (\text{Total No. of contacts} - 2)$
<b>C</b>	$B + 7.8$

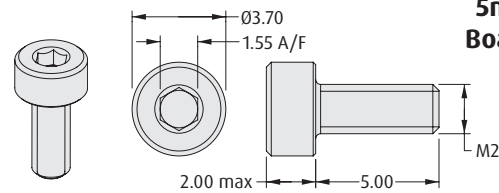


Recommended PC Board Pattern



### REQUIRED HARDWARE

Order separately from connector



**5mm Hex Socket Board Mount Bolt**

### ORDER CODE

**G125-452000B**

### HOW TO ORDER

**G125 - M H1 XX 05 M4 X**

#### SERIES CODE

#### TYPE

**H1** 3mm Throughboard

#### TOTAL NO. OF CONTACTS

**06, 10, 12, 16, 20, 26, 34, 50**

#### PACKAGING

<b>R</b>	Tape & Reeled
<b>P</b>	Loose

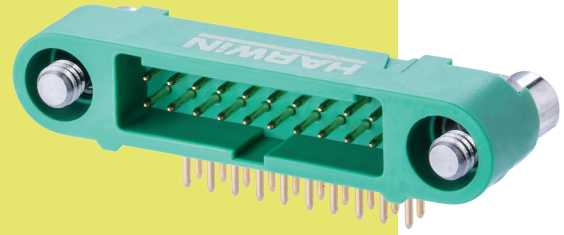
#### FINISH

**05** Gold

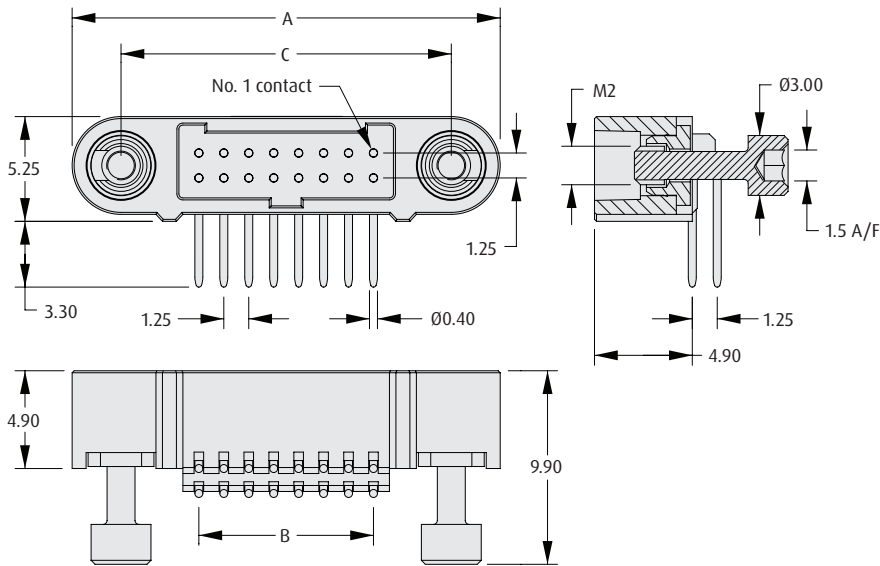
# Gecko Screw-Lok Connectors

## Male Horizontal Throughboard - Reverse Fix

- ❖ Stainless steel screw fixing to mate with applicable female connector.
- ❖ No. 1 position identified on housing.

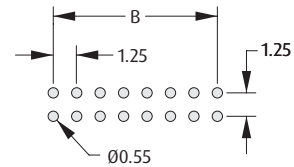


### THROUGHBOARD



### CALCULATION

<b>A</b>	$B + 12.7$
<b>B</b>	$0.625 \times (\text{Total No. of contacts} - 2)$
<b>C</b>	$B + 7.8$



Recommended PC Board Pattern

### HOW TO ORDER

**G125 - M H1 XX 05 M3 X**

**SERIES CODE**

**TYPE**

**H1** 3mm Throughboard

**TOTAL NO. OF CONTACTS**

**06, 10, 12, 16, 20, 26, 34, 50**

**PACKAGING**

<b>R</b>	Tape & Reeled
<b>P</b>	Loose

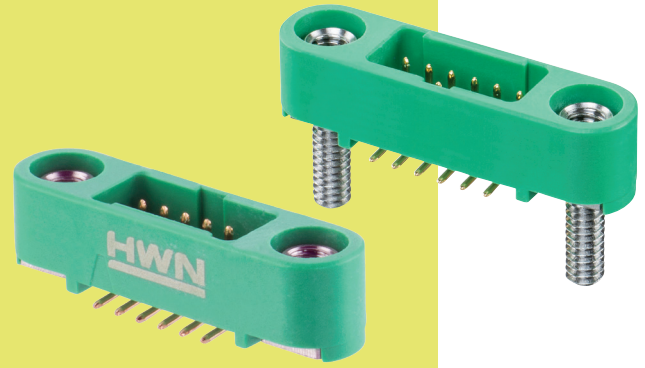
**FINISH**

**05** Gold

# Gecko Screw-Lok Connectors

## Male Vertical Surface Mount

- ❖ Stainless steel screw fixing to mate with applicable female connector.
- ❖ Order nuts for board-mount separately - see bottom of page.
- ❖ 2A current capacity, resists high vibration and shock.
- ❖ Withstands extremes of temperature: -65°C to +150°C.



GECKO SCREW-LOK

WITHOUT BOARD MOUNT	WITH BOARD MOUNT										
<p>Recommended PC Board Pattern</p>	<p>Recommended PC Board Pattern</p>										
<table border="1"> <thead> <tr> <th colspan="2">CALCULATION</th> </tr> </thead> <tbody> <tr> <td><b>A</b></td> <td><math>B + 12.7</math></td> </tr> <tr> <td><b>B</b></td> <td><math>0.625 \times (\text{Total No. of contacts} - 2)</math></td> </tr> <tr> <td><b>C</b></td> <td><math>B + 7.8</math></td> </tr> <tr> <td><b>D</b></td> <td><math>B + 1.8</math></td> </tr> </tbody> </table>		CALCULATION		<b>A</b>	$B + 12.7$	<b>B</b>	$0.625 \times (\text{Total No. of contacts} - 2)$	<b>C</b>	$B + 7.8$	<b>D</b>	$B + 1.8$
CALCULATION											
<b>A</b>	$B + 12.7$										
<b>B</b>	$0.625 \times (\text{Total No. of contacts} - 2)$										
<b>C</b>	$B + 7.8$										
<b>D</b>	$B + 1.8$										

### HOW TO ORDER

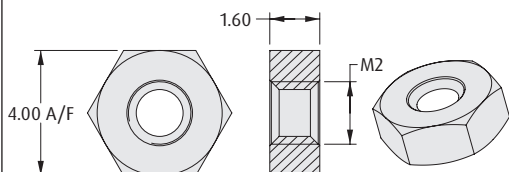
**G125 - M S1 XX 05 MX X**

<b>SERIES CODE</b>	G125	<b>PACKAGING</b>	<b>R</b> Tape & Reeled
<b>TYPE</b>	S1 Surface Mount	<b>P</b> Loose	
<b>TOTAL NO. OF CONTACTS</b>	06, 10, 12, 16, 20, 26, 34, 50	<b>SCREW-LOK</b>	<b>M1</b> Internal Thread
			<b>M2</b> With 5mm Board Mount Stud

### REQUIRED HARDWARE

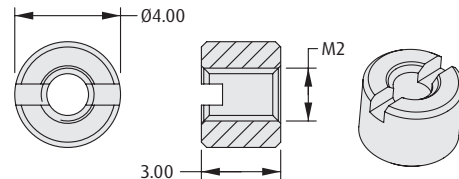
Order separately from connector

#### Hexagonal Board Mount Nut



**ORDER CODE**  
G125-450000B

#### Slotted Board Mount Nut



**ORDER CODE**  
G125-451000B

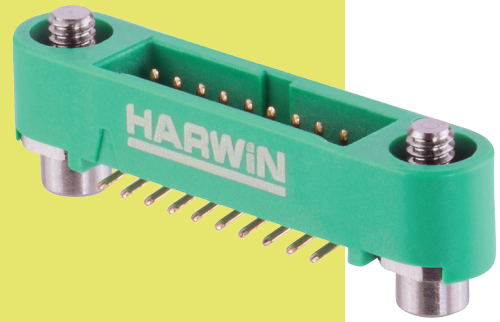
All dimensions in mm.

Patent Published

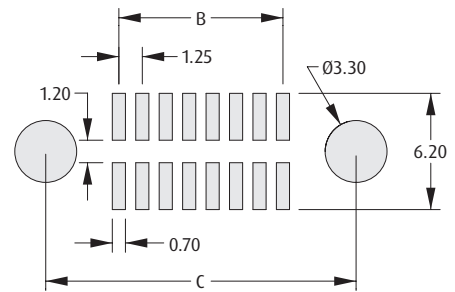
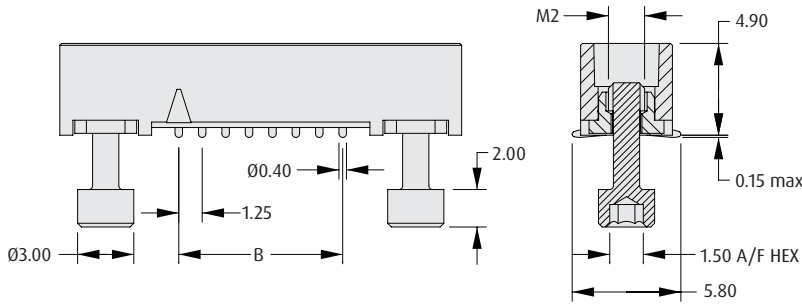
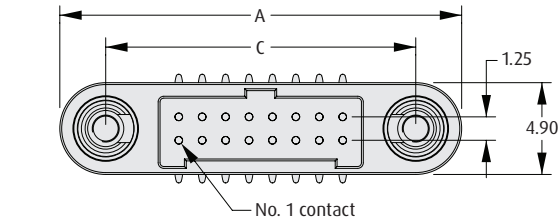
# Gecko Screw-Lok Connectors

## Male Vertical Surface Mount - Reverse Fix

- ❖ Stainless steel screw fixing to mate with applicable female connector.
- ❖ Reverse fix screw-lok suitable for board-to-cable applications, where the female connector is located on the PCB.



### SURFACE MOUNT



Recommended PC Board Pattern

### CALCULATION

<b>A</b>	$B + 12.7$
<b>B</b>	$0.625 \times (\text{Total No. of contacts} - 2)$
<b>C</b>	$B + 7.8$

### HOW TO ORDER

**G125 - M S1 XX 05 M3 X**

**SERIES CODE**

**TYPE**

**S1** Surface Mount

**TOTAL NO. OF CONTACTS**

06, 10, 12, 16, 20, 26, 34, 50

**PACKAGING**

<b>R</b>	Tape & Reeled
<b>P</b>	Loose

**FINISH**

**05** Gold

All dimensions in mm.

Patent Published

# Gecko Screw-Lok Connectors

GECKO SCREW-LOK

## Male Crimp Housing

- Features 2.5mm potting wall for extra security.
- No. 1 position identified on housing.
- 3 polarizing points on each housing prevent mis-mating.
- Use with male crimp contacts and pre-cabled contacts shown on following pages.
- Order nuts for panel mount separately - see bottom of page.



WITHOUT PANEL MOUNT	WITH PANEL MOUNT								
<table border="1" style="margin: auto;"> <thead> <tr> <th colspan="2" style="background-color: #e6f2ff;">CALCULATION</th> </tr> </thead> <tbody> <tr> <td style="background-color: #e6f2ff;">A</td> <td>B + 12.7</td> </tr> <tr> <td style="background-color: #e6f2ff;">B</td> <td>0.625 x (Total No. of contacts - 2)</td> </tr> <tr> <td style="background-color: #e6f2ff;">C</td> <td>B + 7.8</td> </tr> </tbody> </table>		CALCULATION		A	B + 12.7	B	0.625 x (Total No. of contacts - 2)	C	B + 7.8
CALCULATION									
A	B + 12.7								
B	0.625 x (Total No. of contacts - 2)								
C	B + 7.8								

### HOW TO ORDER

**G125 - 324 XX 96 XX**

<b>SERIES CODE</b>		<b>SCREW-LOK</b>	
<b>TYPE</b>		<b>M1</b>	Internal Thread
<b>324</b>	Male Housing	<b>M2</b>	With 5mm Panel Mount stud
<b>TOTAL NO. OF CONTACTS</b>		<b>FINISH</b>	
<b>06, 10, 12, 16, 20, 26, 34, 50</b>		<b>96</b>	Housing

### TOOLS

- Recommended Crimp Tool** - Z125-900
- Positioner** - Z125-901
- Contact Insertion/Removal Tool** - Z125-902

- Male contacts shown on following pages.
- Instruction sheets available at [www.harwin.com/instructions](http://www.harwin.com/instructions).

### REQUIRED HARDWARE

Order separately from connector

#### Hexagonal Board Mount Nut

ORDER CODE
G125-4500000B

#### Slotted Board Mount Nut

ORDER CODE
G125-4510000B

All dimensions in mm.

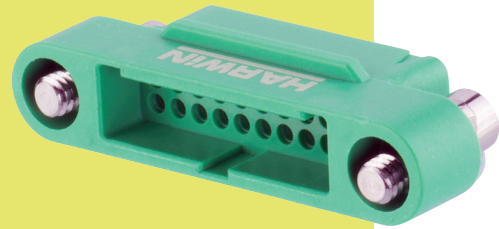
Patent Published

# Gecko Connectors

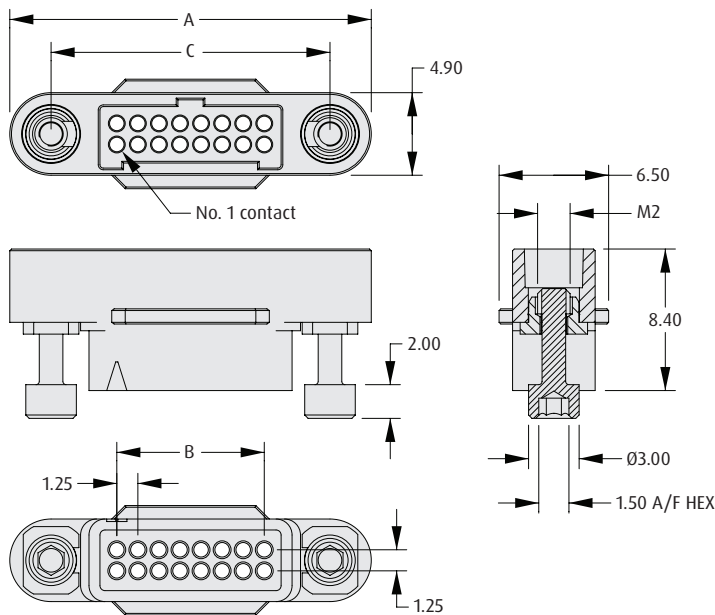
GECKO SCREW-LOK

## Male Crimp Housing - Reverse Fix

- ❖ Features 2.5mm potting wall for extra security.
- ❖ Use with male crimp contacts and pre-cabled contacts shown on following pages.
- ❖ Stainless steel screw fixing to mate with applicable female connector.
- ❖ Reverse fix screw-lok suitable for board-to-cable applications, where the female connector is located on the PCB.



### MALE



### CALCULATION

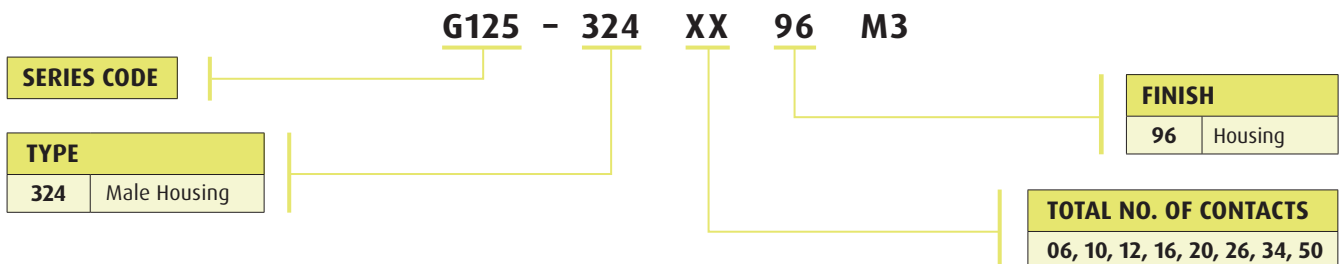
<b>A</b>	$B + 12.7$
<b>B</b>	$0.625 \times (\text{Total No. of contacts} - 2)$
<b>C</b>	$B + 7.8$

### TOOLS

- Recommended Crimp Tool** - Z125-900
- Positioner** - Z125-901
- Contact Insertion/Removal Tool** - Z125-902

- ❖ Male contacts shown on following pages.
- ❖ Instruction sheets available at [www.harwin.com/instructions](http://www.harwin.com/instructions).

### HOW TO ORDER



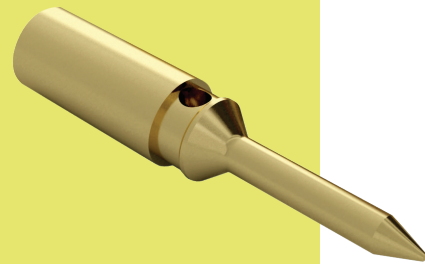
All dimensions in mm.

Patent Published

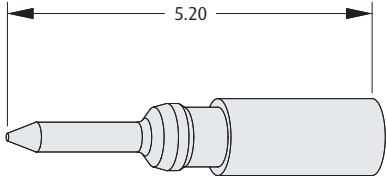
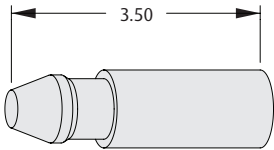
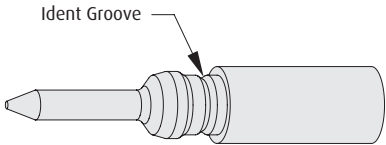
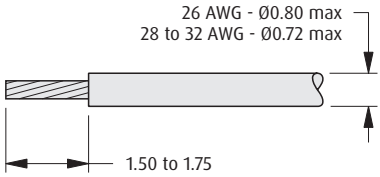
# Gecko Screw-Lok Connectors

## Male Crimp Contacts, Dummy Contact

- ❖ Crimp barrel meets all crimp guidelines and standards.
- ❖ 2A current capacity, resists high vibration and shock.
- ❖ Withstands extremes of temperature: -65°C to +150°C.
- ❖ Instruction video online at [www.harwin.com/harwintv](http://www.harwin.com/harwintv).
- ❖ Dummy Contact can be used for additional polarization of keying of multiple connectors. Also called Blanking Plug.



GECKO SCREW-LOK

CONTACTS	DUMMY CONTACT												
<p><b>26 AWG</b></p> 													
<p><b>28 - 32 AWG</b></p> 	<p><b>WIRE STRIPPING DETAILS</b></p> 												
<p><b>TOOLS</b></p>													
<p><b>Recommended Crimp Tool</b> - Z125-900  <b>Positioner</b> - Z125-901  <b>Contact Insertion/Removal Tool</b> - Z125-902</p> <ul style="list-style-type: none"> <li>❖ Male crimp housings shown on previous pages.</li> <li>❖ Pre-cabled contacts shown on following page.</li> <li>❖ Instruction sheets available at <a href="http://www.harwin.com/instructions">www.harwin.com/instructions</a>.</li> </ul>													
<p style="text-align: center;"><b>HOW TO ORDER</b></p>													
<p style="text-align: center;"><b>G125 - XXX 00 05</b></p> <div style="display: flex; justify-content: space-between;"> <div data-bbox="147 1623 316 1665" style="border: 1px solid black; padding: 2px;"> <p><b>SERIES CODE</b></p> </div> <div data-bbox="147 1703 548 1860" style="border: 1px solid black; padding: 2px;"> <table border="1"> <thead> <tr> <th colspan="2">TYPE</th> </tr> </thead> <tbody> <tr> <td><b>101</b></td> <td>Male 26 AWG crimp contact</td> </tr> <tr> <td><b>102</b></td> <td>Male 28-32 AWG crimp contact</td> </tr> <tr> <td><b>020</b></td> <td>Dummy Contact (blanking plug)</td> </tr> </tbody> </table> </div> <div data-bbox="1321 1686 1474 1761" style="border: 1px solid black; padding: 2px;"> <table border="1"> <thead> <tr> <th colspan="2">FINISH</th> </tr> </thead> <tbody> <tr> <td><b>05</b></td> <td>Gold</td> </tr> </tbody> </table> </div> </div>		TYPE		<b>101</b>	Male 26 AWG crimp contact	<b>102</b>	Male 28-32 AWG crimp contact	<b>020</b>	Dummy Contact (blanking plug)	FINISH		<b>05</b>	Gold
TYPE													
<b>101</b>	Male 26 AWG crimp contact												
<b>102</b>	Male 28-32 AWG crimp contact												
<b>020</b>	Dummy Contact (blanking plug)												
FINISH													
<b>05</b>	Gold												

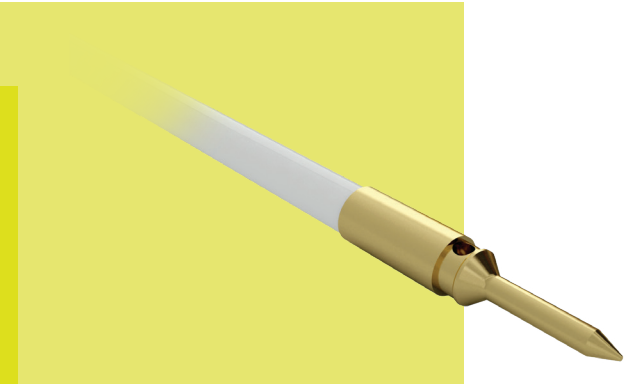
All dimensions in mm.

Patent Published

# Gecko Screw-Lok Connectors

## Male Crimp Contacts – Pre-Crimped Wires

- Ready for assembling to housing.
- Crimp barrel meets all crimp guidelines and standards.
- 2A current capacity, resists high vibration and shock.
- Withstands extremes of temperature: -65°C to +150°C.



<b>MALE SINGLE ENDED</b>	<b>MALE – MALE</b>
<b>MALE – FEMALE</b>	<b>TOOLS</b>
	<p><b>Contact Insertion/Removal Tool</b> – Z125-902</p> <ul style="list-style-type: none"> <li>➤ Male crimp housings and loose contacts shown on previous pages.</li> <li>➤ Instruction sheets available at <a href="http://www.harwin.com/instructions">www.harwin.com/instructions</a>.</li> </ul>

### HOW TO ORDER

**G125 – M WX XXXX X 94**

<b>SERIES CODE</b> G125	<b>GENDER – FIRST END</b> M Male	<b>CABLE SIZE</b> W1 26 AWG W2 28 AWG W3 30 AWG W4 32 AWG	<b>TERMINATION – SECOND END</b> L Loose cut end F Female M Male	<b>CABLE COLOR</b> 94 White
<b>CABLE LENGTH</b> 0150 150mm 0300 300mm (double-ended) 0450 450mm (single-ended)				

All dimensions in mm.

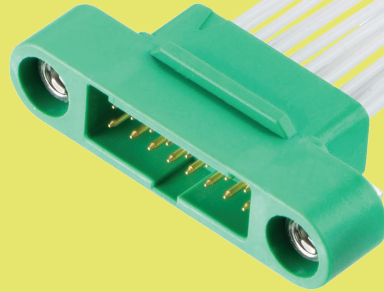
Patent Published



# Gecko Screw-Lok Connectors

## Male Cable Assemblies

- ❏ 4-finger Beryllium Copper contact.
- ❏ No. 1 position identified on housing.
- ❏ Stainless steel screw fixing to mate with applicable male connector.
- ❏ Back potted for added strain relief.



GECKO SCREW-LOK

### PART NUMBERING SYSTEM

**G125 - M C X XX 05 M1 - XXXX XX**

#### SERIES CODE

#### GENDER - FIRST END

<b>M</b>	Male
----------	------

#### CABLE SIZE

<b>1</b>	26 AWG
<b>2</b>	28 AWG

#### TOTAL NO. OF CONTACTS

<b>06, 10, 12, 16, 20, 26, 34, 50</b>
---------------------------------------

#### TERMINATION - SECOND END

<b>L</b>	Loose cut end
<b>FO</b>	Female connector No fixings (use with Metal Hoods)
<b>F1</b>	Female connector Floating Hex Socket fixings
<b>M</b>	Male connector

#### CABLE LENGTH

<b>0150</b>	150mm
<b>0300</b>	300mm (double-ended)
<b>0450</b>	450mm (single-ended)

#### SCREW-LOK

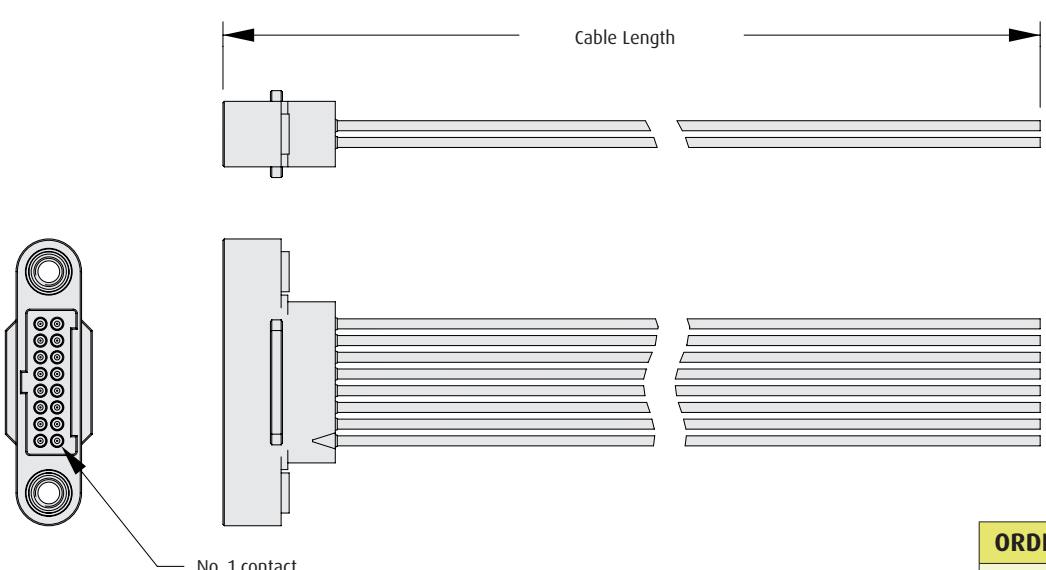
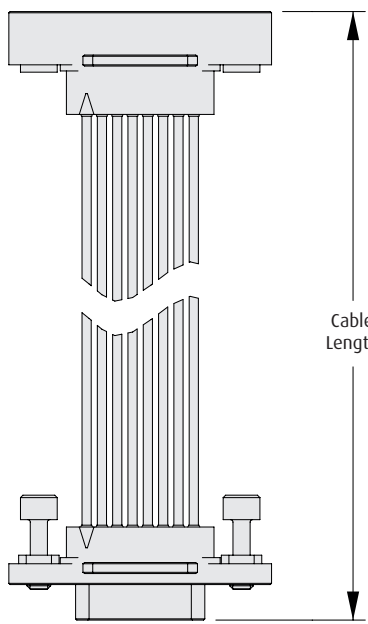
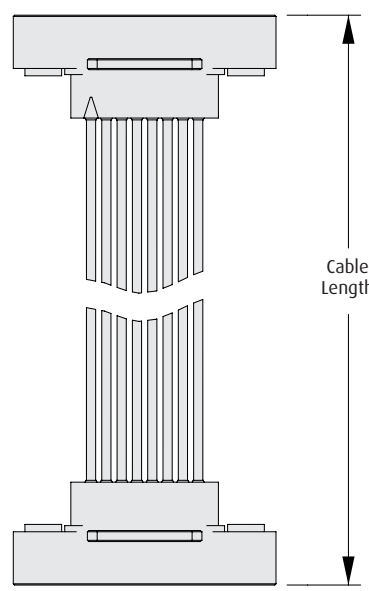
<b>M1</b>	Internal thread
-----------	-----------------

#### FINISH

<b>05</b>	Gold
-----------	------

# Male Cable Assemblies

- ❖ See previous page for cable length options.
- ❖ Cable assemblies are constructed with Contact 1 attached to Contact 1, Contact 2 to Contact 2, etc.

<p><b>MALE SINGLE ENDED</b></p>  <p>Cable Length</p> <p>No. 1 contact</p> <p><b>ORDER CODE</b> G125-MCXXX05M1-XXXXL</p>	
<p><b>MALE - FEMALE</b></p>  <p>Cable Length</p> <p><b>ORDER CODE</b> G125-MCXXX05M1-XXXXF1</p>	<p><b>MALE - MALE</b></p>  <p>Cable Length</p> <p><b>ORDER CODE</b> G125-MCXXX05M1-XXXXM1</p>

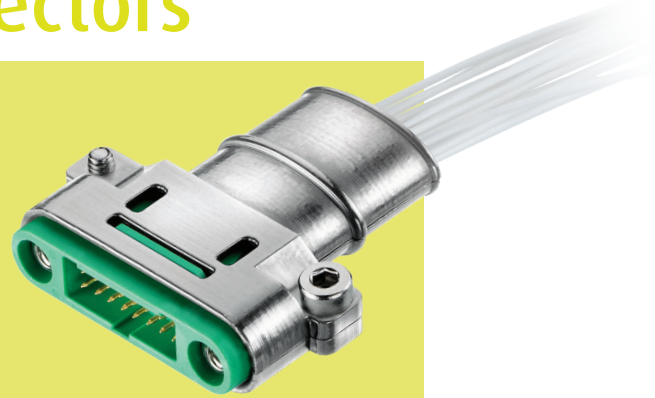
All dimensions in mm.

Patent Published

# Gecko Screw-Lok Connectors

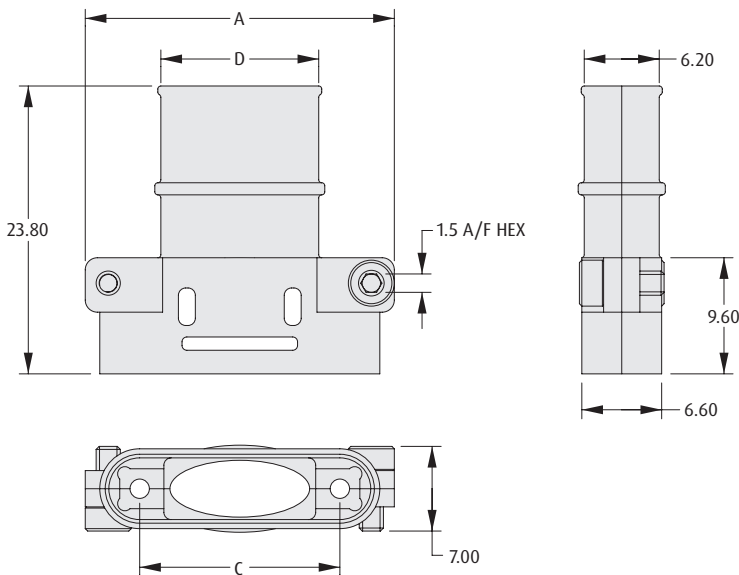
## Male Metal Hood / Backshell

- ❖ Supplied as a kit, including 2 metal hood halves and short screws to join the two hood halves together.
- ❖ Use with G125-324xx96M1 male crimp housings.
- ❖ Tie-band can be used to attach external braid, to construct a shielded cable assembly.



GECKO SCREW-LOK

### HOOD / BACKSHELL



### CALCULATION

<b>A</b>	$B + 16.8$
<b>B</b>	$0.625 \times (\text{Total No. of contacts} - 2)$
<b>C</b>	$B + 7.8$
<b>D</b>	$B + 4.3$

### BAND-IT TIE

- ❖ For fixing braid to rear collar (requires Tie Dex II A30199 Micro Band tool).



### ORDER CODE

<b>M80-9470000</b>	Length = 206.8mm
<b>M80-9480000</b>	Length = 362.0mm

### HOW TO ORDER

**G125 - 964 XX 00**

**SERIES CODE**

**TOTAL NO. OF CONTACTS**

06, 10, 12, 16, 20, 26, 34, 50

# Gecko Screw-Lok Connectors

## Throughboard Metal Hood / Backshell

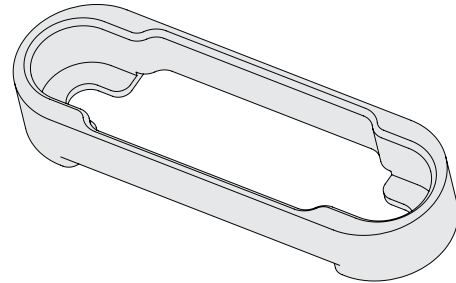
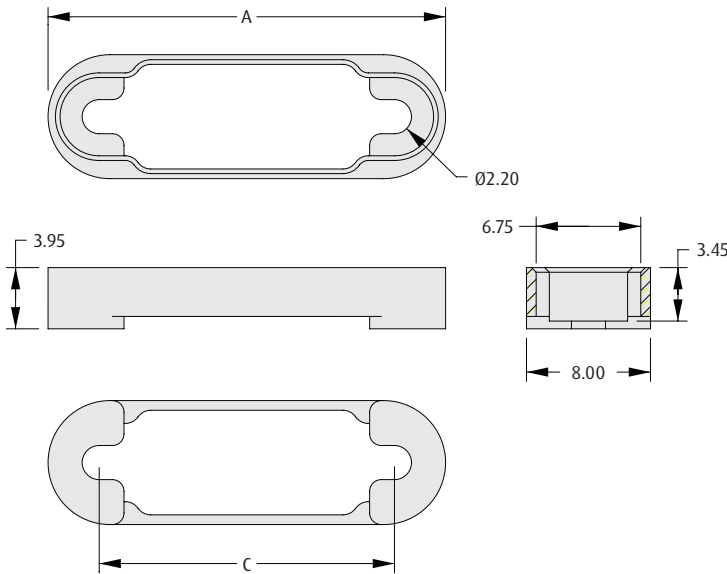
- ❖ Use with G125-MV1xx05M2x connectors for EMC shielding on a PCB mounted application.
- ❖ Use with G125-324xx96M2 connectors for EMC shielding on a panel mount application.
- ❖ Mating female cable connector G125-224xx9600 to be fitted with metal backshell G125-964xxF1 for complete EMC shielded connection.



### HOOD / BACKSHELL

### CALCULATION

<b>A</b>	$B + 14.4$
<b>B</b>	$0.625 \times (\text{Total No. of contacts} - 2)$
<b>C</b>	$B + 7.8$



### HOW TO ORDER

**G125 - 960 XX 02**

**SERIES CODE**

**TOTAL NO. OF CONTACTS**

06, 10, 12, 16, 20, 26, 34, 50

# Gecko with Latches Specifications

## Materials

Housings:	Glass-filled High Temperature Thermoplastic UL94V-0
Female contacts:	Beryllium Copper
Male contacts	
PCB Connector:	Phosphor Bronze
Crimp:	Brass
Finish:	0.2 – 0.3µm (8 – 12µ") Gold, over 1.5 – 2.0µm (60 – 80µ") Nickel
Latches:	Copper Alloy

## Electrical

<b>Current</b>	
Individual contacts in isolation:	2.8A max (At 25°C)
All contacts simultaneously:	2.0A max (At 25°C)
Flex Circuit Assembly:	0.4A max per track (At 25°C)
<b>Working voltage</b>	
At sea level 1006 mbar:	450V DC or AC peak
At altitude 44 mbar:	250V DC or AC peak
<b>Voltage proof</b>	
At sea level 1013 mbar:	600V DC or AC peak
<b>Contact resistance</b>	
Initial:	20mΩ max
After conditioning:	25mΩ max
<b>Insulation resistance</b>	
Initial:	10GΩ min at 500V DC
After conditioning:	>1GΩ min at 500V DC

## Mechanical

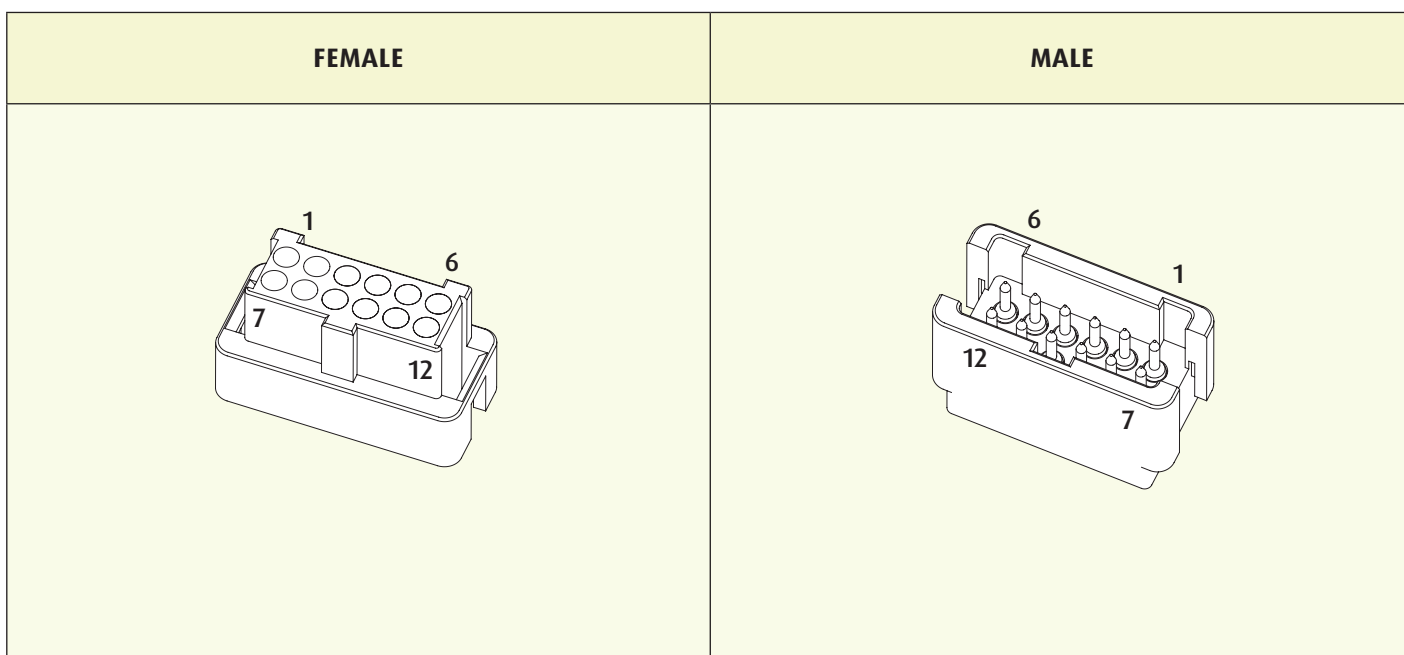
Contact durability:	1000 operations
<b>Mating forces (per contact pair)</b>	
Insertion force:	2.8N max
Withdrawal force:	0.2N min
Contact retention in housing:	6N min

## Environmental

Environmental classification:	65/150/56 days at 93% RH
Operating temperature:	-65°C to +150°C
*Vibration sensitivity:	10Hz to 2000Hz, 1.5mm, 198mm/s <sup>2</sup> (20G) duration 6 hours
*Bump severity:	390m/s <sup>2</sup> (40G), 4000 ±10 bumps
*Shock severity:	981m/s <sup>2</sup> (100G) for 6ms in Z axis 490m/s <sup>2</sup> (50G) for 11ms in X & Y axes
*Acceleration severity:	490m/s <sup>2</sup> (50G)

\* Tested with latched connectors.

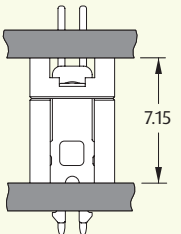
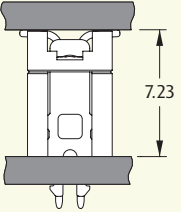
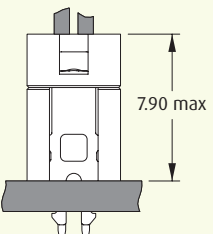
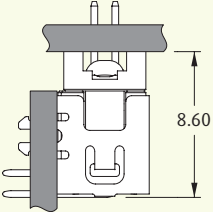
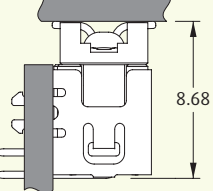
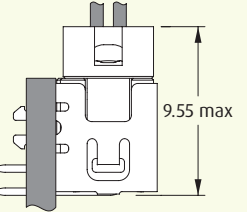
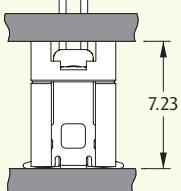
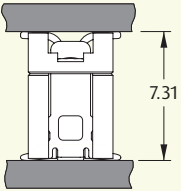
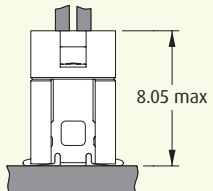
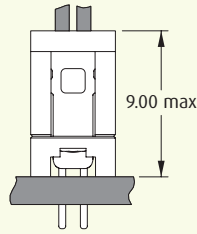
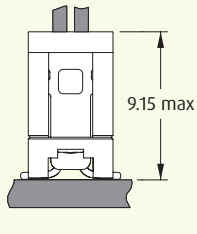
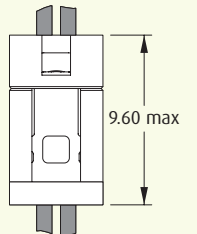
# Pin Numbering



All dimensions in mm.

Patent Published

# Gecko with Latches Mating Profiles

		FEMALE		
		VERTICAL THROUGHBOARD	VERTICAL SMT	CABLE
MALE	VERTICAL THROUGHBOARD			
	HORIZONTAL THROUGHBOARD			
	VERTICAL SMT			
	CABLE			

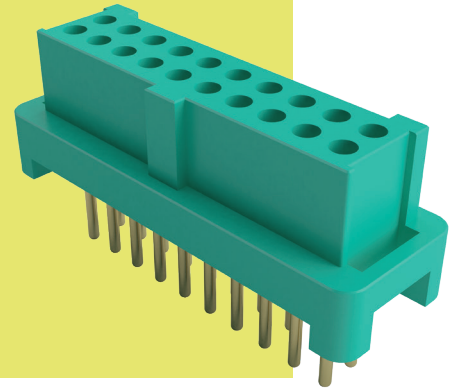
All dimensions in mm.

Patent Published

# Gecko with Latches Connectors

## Female Throughboard

- ❖ 4-finger Beryllium Copper contact.
- ❖ Positive keyway polarization features.
- ❖ 2A current capacity, resists high vibration and shock.
- ❖ Withstands extremes of temperature: -65°C to +150°C.



GECKO WITH LATCHES

3mm THROUGHBOARD	4.5mm THROUGHBOARD										
<table border="1" style="margin: auto;"> <thead> <tr style="background-color: #f0f0f0;"> <th colspan="2">CALCULATION</th> </tr> </thead> <tbody> <tr> <td><b>A</b></td> <td><math>B + 3.8</math></td> </tr> <tr> <td><b>B</b></td> <td><math>0.625 \times (\text{Total No. of contacts} - 2)</math></td> </tr> <tr> <td><b>C</b></td> <td><math>B + 1.8</math></td> </tr> </tbody> </table>		CALCULATION		<b>A</b>	$B + 3.8$	<b>B</b>	$0.625 \times (\text{Total No. of contacts} - 2)$	<b>C</b>	$B + 1.8$		
CALCULATION											
<b>A</b>	$B + 3.8$										
<b>B</b>	$0.625 \times (\text{Total No. of contacts} - 2)$										
<b>C</b>	$B + 1.8$										
Recommended PC Board Pattern	Recommended PC Board Pattern										
HOW TO ORDER											
G125 - F VX XX 05 L0 X											
<table border="1" style="width: 100%;"> <thead> <tr style="background-color: #f0f0f0;"> <th colspan="2">SERIES CODE</th> </tr> </thead> <tbody> <tr> <td style="width: 50%;"></td> <td style="width: 50%;"></td> </tr> </tbody> </table>	SERIES CODE				<table border="1" style="width: 100%;"> <thead> <tr style="background-color: #f0f0f0;"> <th colspan="2">PACKAGING</th> </tr> </thead> <tbody> <tr> <td style="width: 50%;"><b>R</b></td> <td>Tape &amp; Reeled</td> </tr> <tr> <td><b>P</b></td> <td>Loose</td> </tr> </tbody> </table>	PACKAGING		<b>R</b>	Tape & Reeled	<b>P</b>	Loose
SERIES CODE											
PACKAGING											
<b>R</b>	Tape & Reeled										
<b>P</b>	Loose										
<table border="1" style="width: 100%;"> <thead> <tr style="background-color: #f0f0f0;"> <th colspan="2">TYPE</th> </tr> </thead> <tbody> <tr> <td style="width: 50%;"><b>V1</b></td> <td>3mm Throughboard</td> </tr> <tr> <td><b>V2</b></td> <td>4.5mm Throughboard</td> </tr> </tbody> </table>	TYPE		<b>V1</b>	3mm Throughboard	<b>V2</b>	4.5mm Throughboard	<table border="1" style="width: 100%;"> <thead> <tr style="background-color: #f0f0f0;"> <th colspan="2">FINISH</th> </tr> </thead> <tbody> <tr> <td style="width: 50%;"><b>05</b></td> <td>Gold</td> </tr> </tbody> </table>	FINISH		<b>05</b>	Gold
TYPE											
<b>V1</b>	3mm Throughboard										
<b>V2</b>	4.5mm Throughboard										
FINISH											
<b>05</b>	Gold										
<table border="1" style="width: 100%;"> <thead> <tr style="background-color: #f0f0f0;"> <th>TOTAL NO. OF CONTACTS</th> </tr> </thead> <tbody> <tr> <td><b>06, 10, 12, 16, 20, 26, 34, 50</b></td> </tr> </tbody> </table>		TOTAL NO. OF CONTACTS	<b>06, 10, 12, 16, 20, 26, 34, 50</b>								
TOTAL NO. OF CONTACTS											
<b>06, 10, 12, 16, 20, 26, 34, 50</b>											

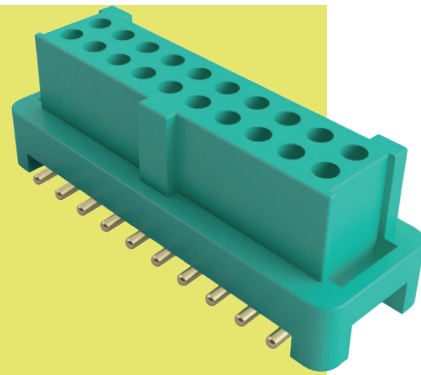
All dimensions in mm.

Patent Published

# Gecko with Latches Connectors

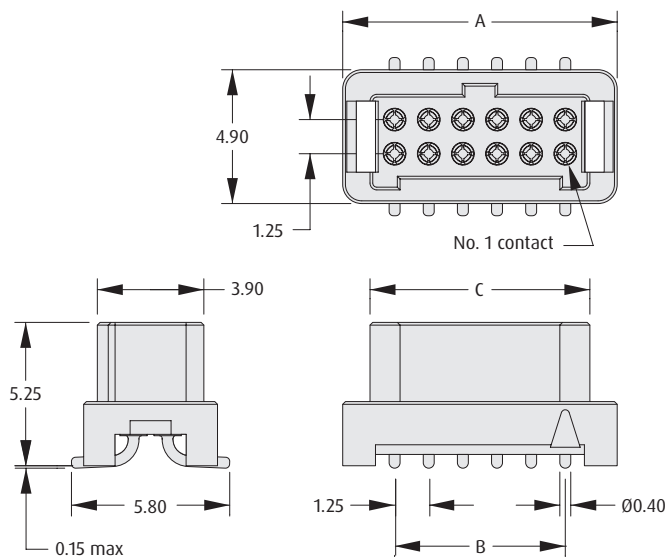
## Female Surface Mount

- ❑ 4-finger Beryllium Copper contact.
- ❑ Positive keyway polarization features.
- ❑ 2A current capacity, resists high vibration and shock.
- ❑ Withstands extremes of temperature: -65°C to +150°C.
- ❑ Available in Tape and Reel Packaging, with Pick and Place cap.



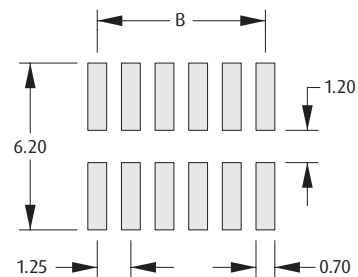
GECKO WITH LATCHES

### SURFACE MOUNT



### CALCULATION

<b>A</b>	$B + 3.8$
<b>B</b>	$0.625 \times (\text{Total No. of contacts} - 2)$
<b>C</b>	$B + 1.8$



Recommended PC Board Pattern

### HOW TO ORDER

**G125 - F S1 XX 05 L0 X**

**SERIES CODE**

**TYPE**

**S1** Surface Mount

#### PACKAGING

<b>R</b>	Tape & Reeled
<b>P</b>	Loose

#### FINISH

**05** Gold

#### TOTAL NO. OF CONTACTS

**06, 10, 12, 16, 20, 26, 34, 50**

All dimensions in mm.

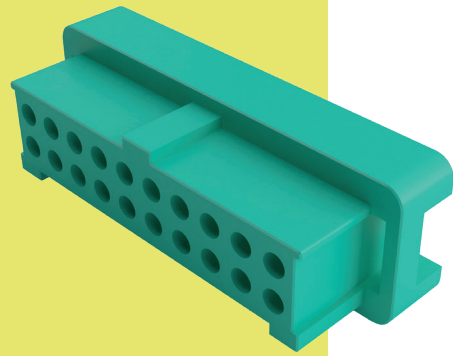
Patent Published



# Gecko with Latches Connectors

## Female Crimp Housings

- ❖ Features potting wall for extra security.
- ❖ No. 1 position identified on housing.
- ❖ Withstands extremes of temperature: -65°C to +150°C.
- ❖ 3 polarizing points on each housing prevent mis-mating.



GECKO WITH LATCHES

FEMALE		CALCULATION	
		<b>A</b>	$B + 3.8$
		<b>B</b>	$0.625 \times (\text{Total No. of contacts} - 2)$
		<b>C</b>	$B + 1.8$
TOOLS			
<p><b>Recommended Crimp Tool</b> - Z125-900</p> <p><b>Positioner</b> - Z125-901</p> <p><b>Contact Insertion/Removal Tool</b> - Z125-902</p>		<ul style="list-style-type: none"> <li>❖ Female contacts shown on following pages.</li> <li>❖ Instruction sheets available at <a href="http://www.harwin.com/instructions">www.harwin.com/instructions</a>.</li> </ul>	
HOW TO ORDER			
<b>G125 - 204 XX 96 L0</b>			
<b>SERIES CODE</b>			
<b>TYPE</b>	204 Female Housing		
		<b>LATCHES</b>	L0 No Latches
		<b>FINISH</b>	96 Housing
		<b>TOTAL NO. OF CONTACTS</b>	06, 10, 12, 16, 20, 26, 34, 50

All dimensions in mm.

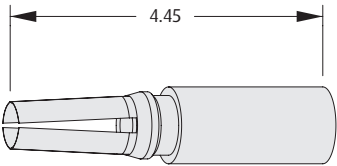
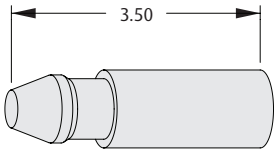
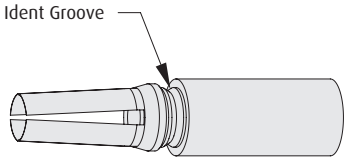
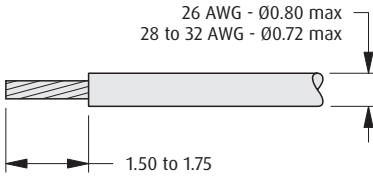
Patent Published

# Gecko with Latches Connectors

## Female Crimp Contacts, Dummy Contact

- ❖ 4-finger Beryllium Copper contact on a female connector.
- ❖ Crimp barrel meets all crimp guidelines and standards.
- ❖ 2A current capacity, resists high vibration and shock.
- ❖ Withstands extremes of temperature: -65°C to +150°C.
- ❖ Instruction video online at [www.harwin.com/harwintv](http://www.harwin.com/harwintv).
- ❖ Dummy Contact can be used for additional polarization of keying of multiple connectors. Also called Blanking Plug.



CONTACTS	DUMMY CONTACT												
<p><b>26 AWG</b></p> 													
<p><b>28 - 32 AWG</b></p> 	<p><b>WIRE STRIPPING DETAILS</b></p> 												
<p><b>TOOLS</b></p>													
<p><b>Recommended Crimp Tool</b> - Z125-900  <b>Positioner</b> - Z125-901  <b>Contact Insertion/Removal Tool</b> - Z125-902</p>	<ul style="list-style-type: none"> <li>❖ Female crimp housing shown on previous page.</li> <li>❖ Pre-cabled contacts shown on following page.</li> <li>❖ Instruction sheets available at <a href="http://www.harwin.com/instructions">www.harwin.com/instructions</a>.</li> </ul>												
<p style="text-align: center;"><b>HOW TO ORDER</b></p>													
<p style="text-align: center;"><b>G125 - 0XX 00 05</b></p> <div style="display: flex; justify-content: space-between;"> <div data-bbox="146 1625 318 1667" style="border: 1px solid black; padding: 2px;"> <p><b>SERIES CODE</b></p> </div> <div data-bbox="146 1701 581 1856" style="border: 1px solid black; padding: 2px;"> <table border="1"> <thead> <tr> <th colspan="2">TYPE</th> </tr> </thead> <tbody> <tr> <td><b>001</b></td> <td>Female 26 AWG crimp contact</td> </tr> <tr> <td><b>002</b></td> <td>Female 28-32 AWG crimp contact</td> </tr> <tr> <td><b>020</b></td> <td>Dummy Contact (blanking plug)</td> </tr> </tbody> </table> </div> <div data-bbox="1318 1684 1471 1759" style="border: 1px solid black; padding: 2px;"> <table border="1"> <thead> <tr> <th colspan="2">FINISH</th> </tr> </thead> <tbody> <tr> <td><b>05</b></td> <td>Gold</td> </tr> </tbody> </table> </div> </div>		TYPE		<b>001</b>	Female 26 AWG crimp contact	<b>002</b>	Female 28-32 AWG crimp contact	<b>020</b>	Dummy Contact (blanking plug)	FINISH		<b>05</b>	Gold
TYPE													
<b>001</b>	Female 26 AWG crimp contact												
<b>002</b>	Female 28-32 AWG crimp contact												
<b>020</b>	Dummy Contact (blanking plug)												
FINISH													
<b>05</b>	Gold												

All dimensions in mm.

Patent Published

# Gecko with Latches Connectors

## Female Crimp Contacts – Pre-Crimped Wires

- ❖ 4-finger Beryllium Copper contact.
- ❖ Ready for assembling to housing.
- ❖ Crimp barrel meets all crimp guidelines and standards.
- ❖ 2A current capacity, resists high vibration and shock.
- ❖ Withstands extremes of temperature: -65°C to +150°C.



GECKO WITH LATCHES

FEMALE SINGLE ENDED	FEMALE – FEMALE

### TOOLS

**Contact Insertion/Removal Tool** – Z125-902

- ❖ Female crimp housing and loose contacts shown on previous pages.
- ❖ Full Cable assemblies shown on following page.
- ❖ Instruction sheets available at [www.harwin.com/instructions](http://www.harwin.com/instructions).

### HOW TO ORDER

**G125 – F WX XXXX X 94**

<b>SERIES CODE</b> G125	<b>CABLE COLOR</b> 94 White
<b>GENDER - FIRST END</b> F Female	<b>TERMINATION - SECOND END</b> L Loose cut end F Female
<b>CABLE SIZE</b> W1 26 AWG W2 28 AWG W3 30 AWG W4 32 AWG	<b>CABLE LENGTH</b> 0150 150mm 0300 300mm (double-ended) 0450 450mm (single-ended)

All dimensions in mm.

Patent Published

# Gecko with Latches Connectors

## Female Cable Assemblies

- ❏ 4-finger Beryllium Copper contact.
- ❏ No. 1 position identified on housing.
- ❏ 2A current capacity, resists high vibration and shock.
- ❏ Withstands extremes of temperature: -65°C to +150°C.
- ❏ Back potted for added strain relief.



### PART NUMBERING SYSTEM

**G125 - F C X XX 05 L0 - XXXX X**

#### SERIES CODE

#### GENDER - FIRST END

<b>F</b>	Female
----------	--------

#### CABLE SIZE

<b>1</b>	26 AWG
<b>2</b>	28 AWG
<b>3</b>	30 AWG
<b>4</b>	32 AWG

#### TOTAL NO. OF CONTACTS

<b>06, 10, 12, 16, 20, 26, 34, 50</b>
---------------------------------------

#### TERMINATION - SECOND END

<b>L</b>	Loose cut end
<b>F</b>	Female connector

#### CABLE LENGTH

<b>0150</b>	150mm
<b>0300</b>	300mm (double-ended)
<b>0450</b>	450mm (single-ended)

#### LATCHES

<b>L0</b>	No Latches
-----------	------------

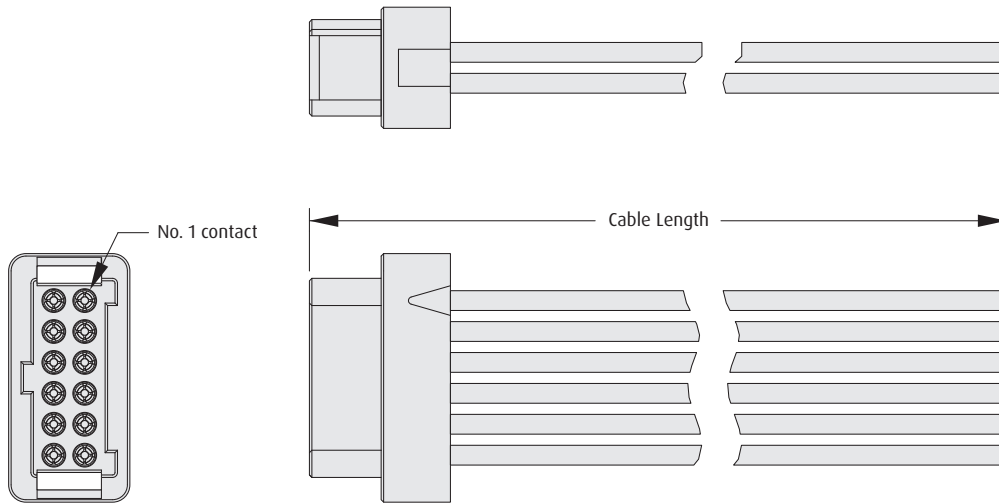
#### FINISH

<b>05</b>	Gold
-----------	------

# Female Cable Assemblies

- ❖ See previous page for cable length options.
- ❖ Cable assemblies are constructed with Contact 1 attached to Contact 1, Contact 2 to Contact 2, etc.

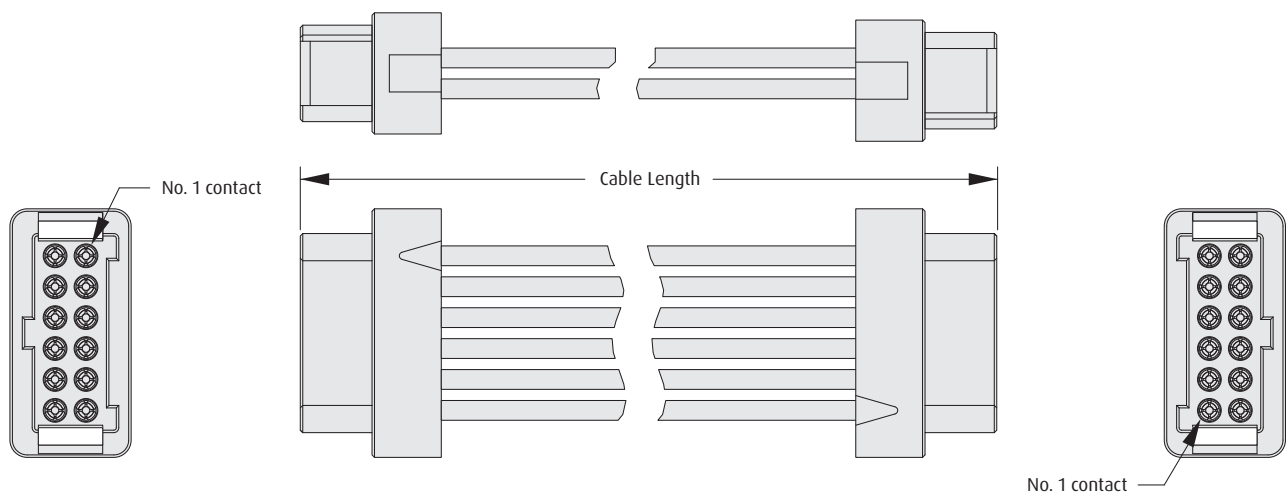
## FEMALE SINGLE ENDED



### ORDER CODE

G125-FCXXX05L0-XXXXL

## FEMALE - FEMALE



### ORDER CODE

G125-FCXXX05L0-XXXXF

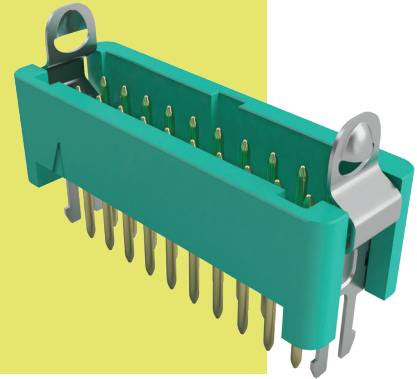
All dimensions in mm.

Patent Published

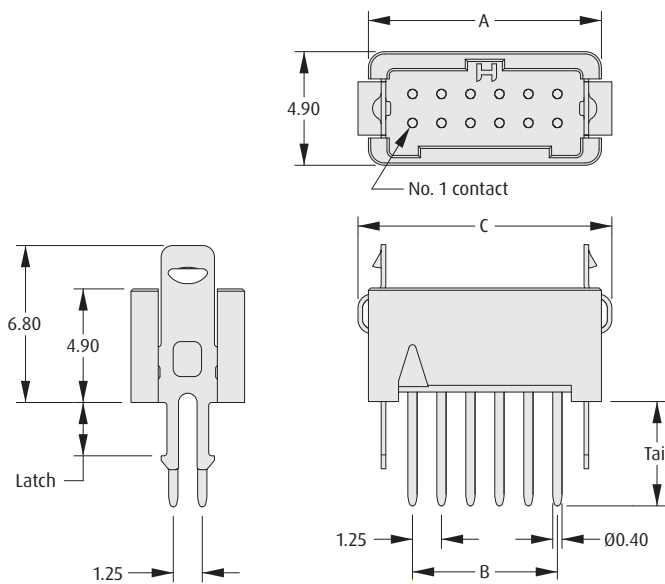
# Gecko with Latches Connectors

## Male Vertical Throughboard

- Secure fixing to the PCB via retention bars for through hole.
- Easy-to-release latches require no tooling.
- 2A current capacity, resists high vibration and shock.
- Withstands extremes of temperature: -65°C to +150°C.

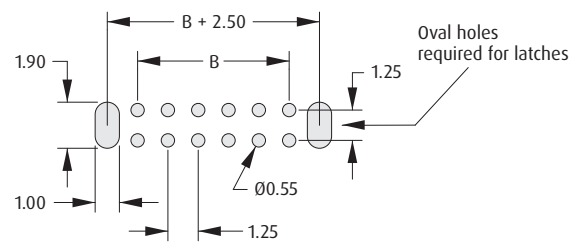


### THROUGHBOARD



### CALCULATION

<b>A</b>	$B + 3.8$
<b>B</b>	$0.625 \times (\text{Total No. of contacts} - 2)$
<b>C</b>	$B + 5.2$



Recommended PC Board Pattern

### HOW TO ORDER

**G125 - M VX XX 05 LX X**

**SERIES CODE**

**TYPE**

<b>V1</b>	3mm Throughboard Tail
<b>V2</b>	4.5mm Throughboard Tail

**TOTAL NO. OF CONTACTS**

**06, 10, 12, 16, 20, 26, 34, 50**

**PACKAGING**

<b>R</b>	Tape & Reeled
<b>P</b>	Loose

**LATCH**

<b>L0</b>	No Latch
<b>L1</b>	Latch for 1.6mm PCB (use with V1)
<b>L2</b>	Latch for 2.4mm PCB (use with V2)

**FINISH**

**05** Gold

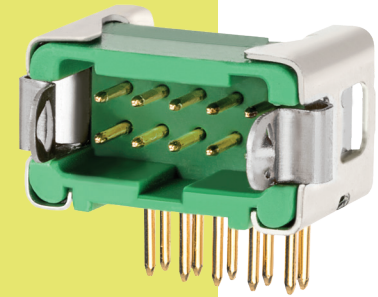
All dimensions in mm.

Patent Published

# Gecko with Latches Connectors

## Male Horizontal Throughboard - Latched

- Secure fixing to the PCB via retention bars for through hole.
- Surface mount option for automated assembly.
- Easy-to-release latches - tooling available for additional assistance with releasing latches - see part numbers **Z125-926xx00**.
- 2A current capacity, resists high vibration and shock.
- Withstands extremes of temperature: -65°C to +150°C.



GECKO WITH LATCHES

THROUGHBOARD LATCH	SURFACE MOUNT LATCH														
<table border="1" style="background-color: #d9ead3;"> <thead> <tr> <th colspan="2">CALCULATION</th> </tr> </thead> <tbody> <tr> <td><b>A</b></td> <td><math>B + 4.3</math></td> </tr> <tr> <td><b>B</b></td> <td><math>0.625 \times (\text{Total No. of contacts} - 2)</math></td> </tr> <tr> <td><b>C</b></td> <td><math>B + 5.2</math></td> </tr> </tbody> </table>		CALCULATION		<b>A</b>	$B + 4.3$	<b>B</b>	$0.625 \times (\text{Total No. of contacts} - 2)$	<b>C</b>	$B + 5.2$						
CALCULATION															
<b>A</b>	$B + 4.3$														
<b>B</b>	$0.625 \times (\text{Total No. of contacts} - 2)$														
<b>C</b>	$B + 5.2$														
<h3>HOW TO ORDER</h3>															
<p><b>G125 - M HX XX 05 LX X</b></p>															
<table border="1" style="background-color: #d9ead3;"> <thead> <tr> <th colspan="2">SERIES CODE</th> </tr> </thead> <tbody> <tr> <td>G125</td> <td>Gecko with Latches</td> </tr> </tbody> </table>	SERIES CODE		G125	Gecko with Latches	<table border="1" style="background-color: #d9ead3;"> <thead> <tr> <th colspan="2">PACKAGING</th> </tr> </thead> <tbody> <tr> <td>R</td> <td>Tape &amp; Reeled</td> </tr> <tr> <td>P</td> <td>Loose</td> </tr> </tbody> </table>	PACKAGING		R	Tape & Reeled	P	Loose				
SERIES CODE															
G125	Gecko with Latches														
PACKAGING															
R	Tape & Reeled														
P	Loose														
<table border="1" style="background-color: #d9ead3;"> <thead> <tr> <th colspan="2">TYPE</th> </tr> </thead> <tbody> <tr> <td>H1</td> <td>3.3mm Throughboard Tail</td> </tr> <tr> <td>H2</td> <td>4.8mm Throughboard Tail</td> </tr> </tbody> </table>	TYPE		H1	3.3mm Throughboard Tail	H2	4.8mm Throughboard Tail	<table border="1" style="background-color: #d9ead3;"> <thead> <tr> <th colspan="2">LATCH</th> </tr> </thead> <tbody> <tr> <td>L1</td> <td>Latch for 1.6mm PCB (use with H1)</td> </tr> <tr> <td>L2</td> <td>Latch for 2.4mm PCB (use with H2)</td> </tr> <tr> <td>L3</td> <td>Surface Mount Latch</td> </tr> </tbody> </table>	LATCH		L1	Latch for 1.6mm PCB (use with H1)	L2	Latch for 2.4mm PCB (use with H2)	L3	Surface Mount Latch
TYPE															
H1	3.3mm Throughboard Tail														
H2	4.8mm Throughboard Tail														
LATCH															
L1	Latch for 1.6mm PCB (use with H1)														
L2	Latch for 2.4mm PCB (use with H2)														
L3	Surface Mount Latch														
<table border="1" style="background-color: #d9ead3;"> <thead> <tr> <th colspan="2">TOTAL NO. OF CONTACTS</th> </tr> </thead> <tbody> <tr> <td>06, 10, 12, 16, 20, 26, 34, 50</td> <td></td> </tr> </tbody> </table>	TOTAL NO. OF CONTACTS		06, 10, 12, 16, 20, 26, 34, 50		<table border="1" style="background-color: #d9ead3;"> <thead> <tr> <th colspan="2">FINISH</th> </tr> </thead> <tbody> <tr> <td>05</td> <td>Gold</td> </tr> </tbody> </table>	FINISH		05	Gold						
TOTAL NO. OF CONTACTS															
06, 10, 12, 16, 20, 26, 34, 50															
FINISH															
05	Gold														

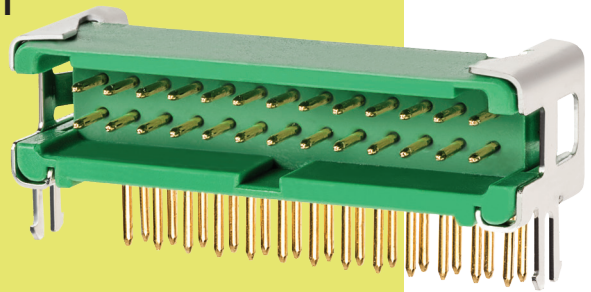
All dimensions in mm.

Patent Published

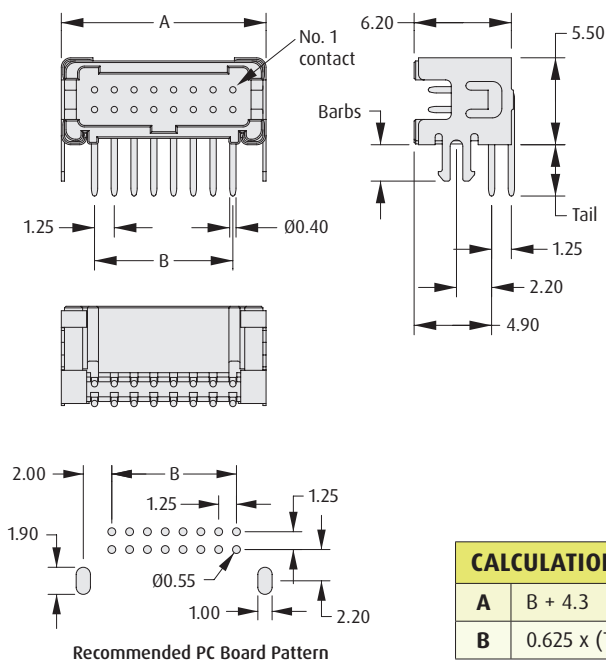
# Gecko with Latches Connectors

## Male Horizontal Throughboard - Without Latch

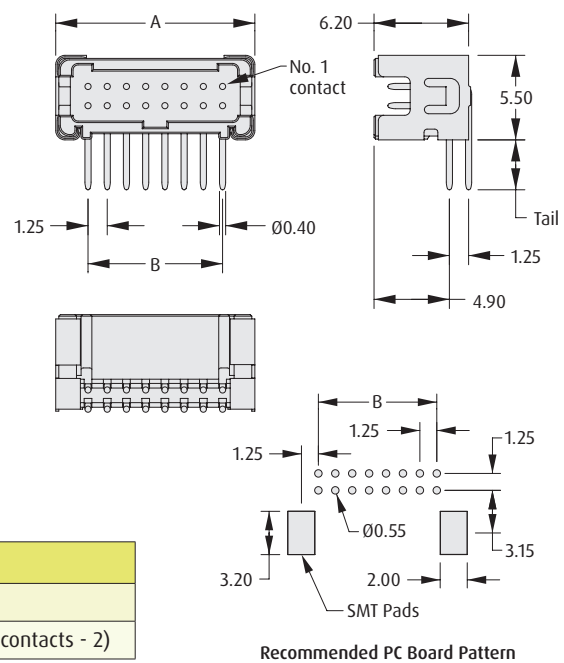
- Secure fixing to the PCB via retention bars for through hole.
- Surface mount option for automated assembly.
- 2A current capacity.
- Withstands extremes of temperature: -65°C to +150°C.



### THROUGHBOARD FIXING



### SURFACE MOUNT FIXING



CALCULATION	
<b>A</b>	$B + 4.3$
<b>B</b>	$0.625 \times (\text{Total No. of contacts} - 2)$

### HOW TO ORDER

**G125 - M HX XX 05 LX X**

**SERIES CODE**

TYPE	
<b>H1</b>	3.3mm Throughboard Tail
<b>H2</b>	4.8mm Throughboard Tail

TOTAL NO. OF CONTACTS
06, 10, 12, 16, 20, 26, 34, 50

PACKAGING	
<b>R</b>	Tape & Reeled
<b>P</b>	Loose

FIXING	
<b>L5</b>	Barbs for 1.6mm PCB (use with H1)
<b>L6</b>	Barbs for 2.4mm PCB (use with H2)
<b>L7</b>	Surface Mount Fixing

FINISH	
<b>05</b>	Gold

All dimensions in mm.

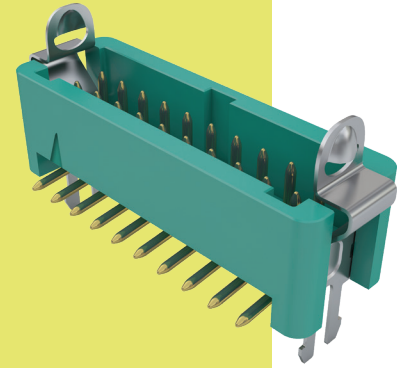
Patent Published



# Gecko with Latches Connectors

## Male Vertical Surface Mount

- Secure fixing to the PCB via hold-down tabs (SMT).
- Easy-to-release latches require no tooling.
- 2A current capacity, resists high vibration and shock.
- Withstands extremes of temperature: -65°C to +150°C.



GECKO WITH LATCHES

THROUGHBOARD LATCH	SURFACE MOUNT LATCH																								
<p style="text-align: center; margin-top: 10px;"><b>Recommended PC Board Pattern</b></p>	<p style="text-align: center; margin-top: 10px;"><b>Recommended PC Board Pattern</b></p>																								
<table border="1" style="margin: auto; border-collapse: collapse;"> <thead> <tr style="background-color: #e6f2ff;"> <th colspan="2">CALCULATION</th> </tr> </thead> <tbody> <tr> <td style="padding: 2px 5px;"><b>A</b></td> <td style="padding: 2px 5px;"><math>B + 3.8</math></td> </tr> <tr> <td style="padding: 2px 5px;"><b>B</b></td> <td style="padding: 2px 5px;"><math>0.625 \times (\text{Total No. of contacts} - 2)</math></td> </tr> <tr> <td style="padding: 2px 5px;"><b>C</b></td> <td style="padding: 2px 5px;"><math>B + 5.2</math></td> </tr> </tbody> </table>		CALCULATION		<b>A</b>	$B + 3.8$	<b>B</b>	$0.625 \times (\text{Total No. of contacts} - 2)$	<b>C</b>	$B + 5.2$																
CALCULATION																									
<b>A</b>	$B + 3.8$																								
<b>B</b>	$0.625 \times (\text{Total No. of contacts} - 2)$																								
<b>C</b>	$B + 5.2$																								
<b>HOW TO ORDER</b>																									
<b>G125 - M S1 XX 05 LX X</b>																									
<table border="1" style="width: 100%; border-collapse: collapse;"> <thead> <tr style="background-color: #e6f2ff;"> <th colspan="2">SERIES CODE</th> </tr> </thead> <tbody> <tr> <td style="padding: 2px 5px;"><b>TYPE</b></td> <td style="padding: 2px 5px;">S1 Surface Mount</td> </tr> <tr> <td style="padding: 2px 5px;"><b>TOTAL NO. OF CONTACTS</b></td> <td style="padding: 2px 5px;">06, 10, 12, 16, 20, 26, 34, 50</td> </tr> <tr> <td style="padding: 2px 5px;"><b>FINISH</b></td> <td style="padding: 2px 5px;">05 Gold</td> </tr> </tbody> </table>	SERIES CODE		<b>TYPE</b>	S1 Surface Mount	<b>TOTAL NO. OF CONTACTS</b>	06, 10, 12, 16, 20, 26, 34, 50	<b>FINISH</b>	05 Gold	<table border="1" style="width: 100%; border-collapse: collapse;"> <thead> <tr style="background-color: #e6f2ff;"> <th colspan="2">PACKAGING</th> </tr> </thead> <tbody> <tr> <td style="padding: 2px 5px;"><b>R</b></td> <td style="padding: 2px 5px;">Tape &amp; Reeled</td> </tr> <tr> <td style="padding: 2px 5px;"><b>P</b></td> <td style="padding: 2px 5px;">Loose</td> </tr> </tbody> </table> <table border="1" style="width: 100%; border-collapse: collapse;"> <thead> <tr style="background-color: #e6f2ff;"> <th colspan="2">LATCH</th> </tr> </thead> <tbody> <tr> <td style="padding: 2px 5px;"><b>L0</b></td> <td style="padding: 2px 5px;">No Latch</td> </tr> <tr> <td style="padding: 2px 5px;"><b>L1</b></td> <td style="padding: 2px 5px;">Latch for 1.6mm PCB</td> </tr> <tr> <td style="padding: 2px 5px;"><b>L2</b></td> <td style="padding: 2px 5px;">Latch for 2.4mm PCB</td> </tr> <tr> <td style="padding: 2px 5px;"><b>L3</b></td> <td style="padding: 2px 5px;">Surface Mount Latch</td> </tr> </tbody> </table>	PACKAGING		<b>R</b>	Tape & Reeled	<b>P</b>	Loose	LATCH		<b>L0</b>	No Latch	<b>L1</b>	Latch for 1.6mm PCB	<b>L2</b>	Latch for 2.4mm PCB	<b>L3</b>	Surface Mount Latch
SERIES CODE																									
<b>TYPE</b>	S1 Surface Mount																								
<b>TOTAL NO. OF CONTACTS</b>	06, 10, 12, 16, 20, 26, 34, 50																								
<b>FINISH</b>	05 Gold																								
PACKAGING																									
<b>R</b>	Tape & Reeled																								
<b>P</b>	Loose																								
LATCH																									
<b>L0</b>	No Latch																								
<b>L1</b>	Latch for 1.6mm PCB																								
<b>L2</b>	Latch for 2.4mm PCB																								
<b>L3</b>	Surface Mount Latch																								

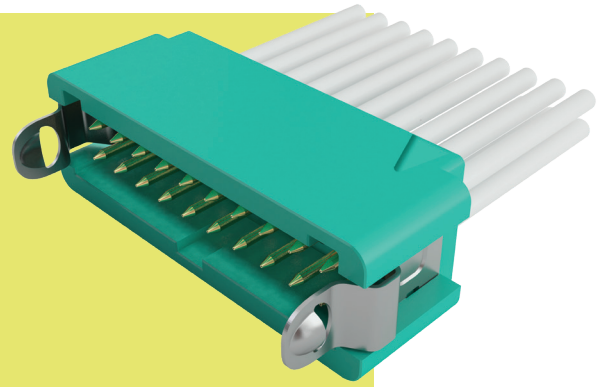
All dimensions in mm.

Patent Published

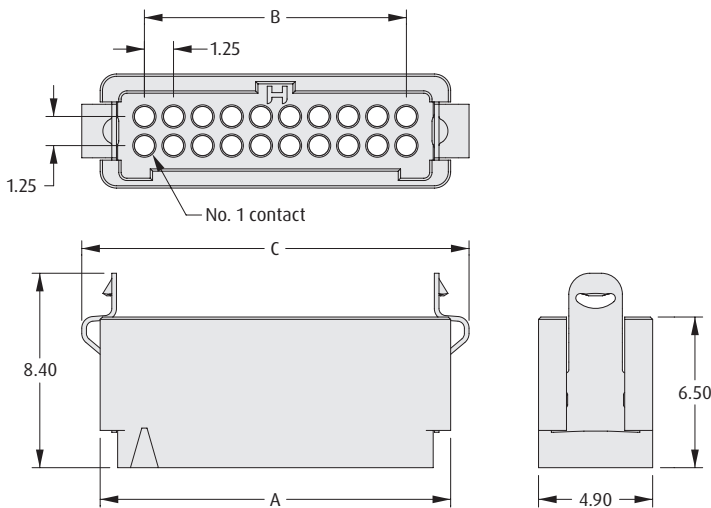
# Gecko with Latches Connectors

## Male Crimp Housing

- ❖ Features potting wall for extra security.
- ❖ No. 1 position identified on housing.
- ❖ Withstands extremes of temperature: -65°C to +150°C.
- ❖ 3 polarizing points on each housing prevent mis-mating.
- ❖ Easy to release latches require no tooling.



### MALE



### CALCULATION

<b>A</b>	$B + 3.8$
<b>B</b>	$0.625 \times (\text{Total No. of contacts} - 2)$
<b>C</b>	$B + 5.2$

### TOOLS

**Recommended Crimp Tool** - Z125-900  
**Positioner** - Z125-901  
**Contact Insertion/Removal Tool** - Z125-902

- ❖ Male contacts shown on following pages.
- ❖ Instruction sheets available at [www.harwin.com/instructions](http://www.harwin.com/instructions).

### HOW TO ORDER

**G125 - 304 XX 96 LX**

#### SERIES CODE

#### TYPE

**304** Male Housing

#### LATCH

<b>L0</b>	No Latches
<b>L4</b>	Latches (Male Only)

#### FINISH

**96** Housing

#### TOTAL NO. OF CONTACTS

**06, 10, 12, 16, 20, 26, 34, 50**

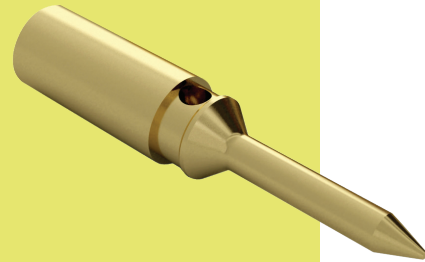
All dimensions in mm.

Patent Published

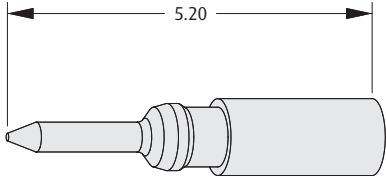
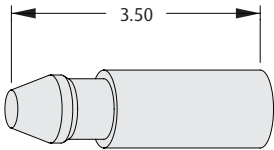
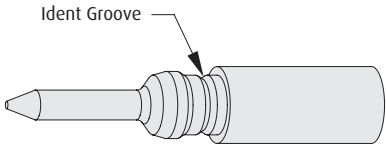
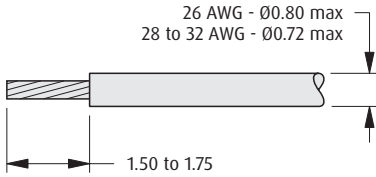
# Gecko with Latches Connectors

## Male Crimp Contacts

- ❖ Crimp barrel meets all crimp guidelines and standards.
- ❖ 2A current capacity, resists high vibration and shock.
- ❖ Withstands extremes of temperature: -65°C to +150°C.
- ❖ Instruction video online at [www.harwin.com/harwintv](http://www.harwin.com/harwintv).
- ❖ Dummy Contact can be used for additional polarization of keying of multiple connectors. Also called Blanking Plug.



GEEKO WITH LATCHES

CONTACTS	DUMMY CONTACT												
<p><b>26 AWG</b></p> 													
<p><b>28 - 32 AWG</b></p> 	<p><b>WIRE STRIPPING DETAILS</b></p> 												
TOOLS													
<p><b>Recommended Crimp Tool</b> - Z125-900  <b>Positioner</b> - Z125-901  <b>Contact Insertion/Removal Tool</b> - Z125-902</p>	<ul style="list-style-type: none"> <li>❖ Male crimp housing shown on previous page.</li> <li>❖ Pre-cable contacts shown on following page.</li> <li>❖ Instruction sheets available at <a href="http://www.harwin.com/instructions">www.harwin.com/instructions</a>.</li> </ul>												
HOW TO ORDER													
<p style="text-align: center;"><b>G125 - XXX 00 05</b></p> <div style="display: flex; justify-content: space-between;"> <div data-bbox="147 1619 318 1665"> <p><b>SERIES CODE</b></p> </div> <div data-bbox="147 1703 548 1860"> <table border="1"> <thead> <tr> <th colspan="2">TYPE</th> </tr> </thead> <tbody> <tr> <td><b>101</b></td> <td>Male 26 AWG crimp contact</td> </tr> <tr> <td><b>102</b></td> <td>Male 28-32 AWG crimp contact</td> </tr> <tr> <td><b>020</b></td> <td>Dummy Contact (blanking plug)</td> </tr> </tbody> </table> </div> <div data-bbox="1321 1682 1474 1761"> <table border="1"> <thead> <tr> <th colspan="2">FINISH</th> </tr> </thead> <tbody> <tr> <td><b>05</b></td> <td>Gold</td> </tr> </tbody> </table> </div> </div>		TYPE		<b>101</b>	Male 26 AWG crimp contact	<b>102</b>	Male 28-32 AWG crimp contact	<b>020</b>	Dummy Contact (blanking plug)	FINISH		<b>05</b>	Gold
TYPE													
<b>101</b>	Male 26 AWG crimp contact												
<b>102</b>	Male 28-32 AWG crimp contact												
<b>020</b>	Dummy Contact (blanking plug)												
FINISH													
<b>05</b>	Gold												

All dimensions in mm.

Patent Published

# Gecko with Latches Connectors

## Male Crimp Contacts – Pre-Crimped Wires

- Ready for assembling to housing.
- Crimp barrel meets all crimp guidelines and standards.
- 2A current capacity, resists high vibration and shock.
- Withstands extremes of temperature: -65°C to +150°C.



<b>MALE SINGLE ENDED</b>	<b>MALE - MALE</b>
<b>MALE - FEMALE</b>	<b>TOOLS</b>
	<p><b>Contact Insertion/Removal Tool</b> – Z125-902</p> <ul style="list-style-type: none"> <li>➤ Male crimp housing and loose contacts shown on previous pages.</li> <li>➤ Full Cable assemblies shown on following page.</li> <li>➤ Instruction sheets available at <a href="http://www.harwin.com/instructions">www.harwin.com/instructions</a>.</li> </ul>

### HOW TO ORDER

**G125 - M WX XXXX X 94**

**SERIES CODE**

CABLE COLOR	
94	White

GENDER - FIRST END	
M	Male

TERMINATION - SECOND END	
L	Loose cut end
F	Female
M	Male

CABLE SIZE	
W1	26 AWG
W2	28 AWG
W3	30 AWG
W4	32 AWG

CABLE LENGTH	
0150	150mm
0300	300mm (double-ended)
0450	450mm (single-ended)

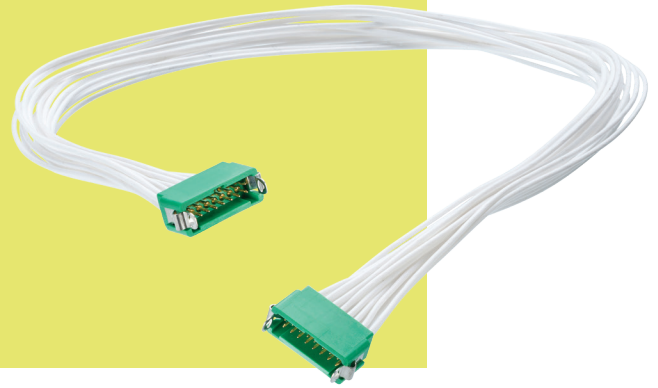
All dimensions in mm.

Patent Published

# Gecko with Latches Connectors

## Male Cable Assemblies

- ❖ No. 1 position identified on housing.
- ❖ 2A current capacity, resists high vibration and shock.
- ❖ Withstands extremes of temperature: -65°C to +150°C.
- ❖ Back potted for added strain relief.
- ❖ 4-finger Beryllium Copper contact on the female connector.



GECKO WITH LATCHES

### PART NUMBERING SYSTEM

**G125 - M C X XX 05 LX - XXXX X**

#### SERIES CODE

#### GENDER - FIRST END

<b>M</b>	Male
----------	------

#### CABLE SIZE

<b>1</b>	26 AWG
<b>2</b>	28 AWG
<b>3</b>	30 AWG
<b>4</b>	32 AWG

#### TOTAL NO. OF CONTACTS

<b>06, 10, 12, 16, 20, 26, 34, 50</b>
---------------------------------------

#### TERMINATION - SECOND END

<b>L</b>	Loose cut end
<b>F</b>	Female connector
<b>M</b>	Male connector

#### CABLE LENGTH

<b>0150</b>	150mm
<b>0300</b>	300mm (double-ended)
<b>0450</b>	450mm (single-ended)

#### LATCHES

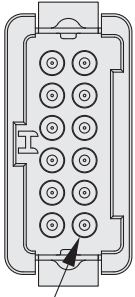
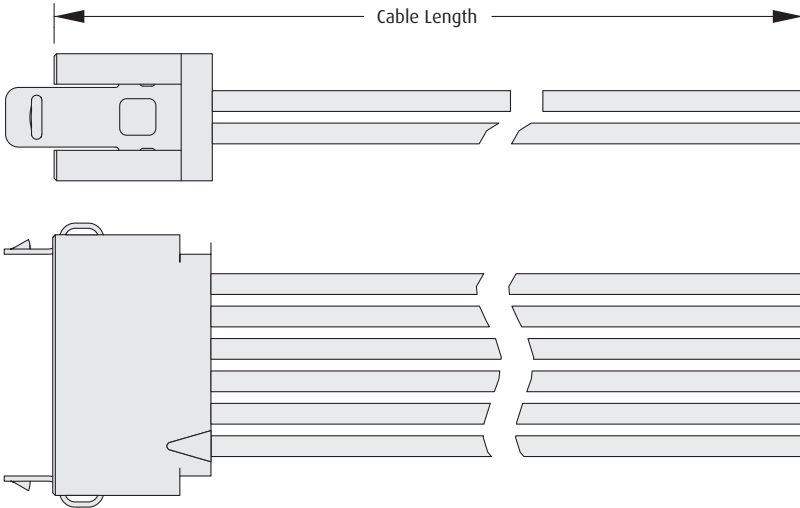
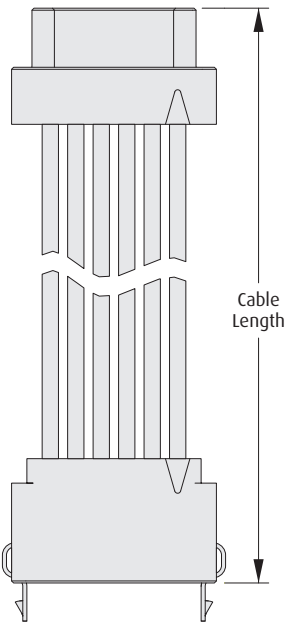
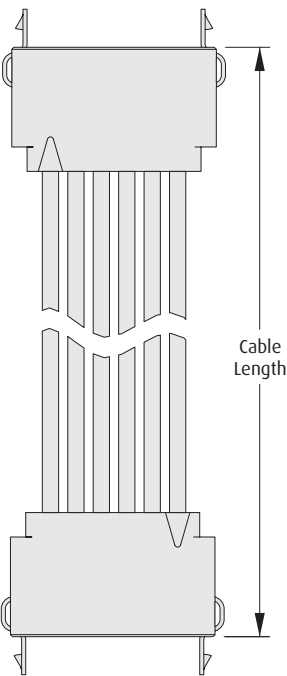
<b>L0</b>	No Latches
<b>L4</b>	Latches (male connectors only)

#### FINISH

<b>05</b>	Gold
-----------	------

# Male Cable Assemblies

- ❖ See previous page for cable length options.
- ❖ Cable assemblies are constructed with Contact 1 attached to Contact 1, Contact 2 to Contact 2, etc.

MALE SINGLE ENDED					
 <p>No. 1 contact</p>	 <p>Cable Length</p>				
<table border="1" style="width: 100%;"> <tr> <th style="background-color: #e6f2ff;">ORDER CODE</th> </tr> <tr> <td>G125-MCXXX05LX-XXXXL</td> </tr> </table>		ORDER CODE	G125-MCXXX05LX-XXXXL		
ORDER CODE					
G125-MCXXX05LX-XXXXL					
MALE - FEMALE	MALE - MALE				
 <p>Cable Length</p>	 <p>Cable Length</p>				
<table border="1" style="width: 100%;"> <tr> <th style="background-color: #e6f2ff;">ORDER CODE</th> </tr> <tr> <td>G125-MCXXX05LX-XXXXF</td> </tr> </table>	ORDER CODE	G125-MCXXX05LX-XXXXF	<table border="1" style="width: 100%;"> <tr> <th style="background-color: #e6f2ff;">ORDER CODE</th> </tr> <tr> <td>G125-MCXXX05LX-XXXXM</td> </tr> </table>	ORDER CODE	G125-MCXXX05LX-XXXXM
ORDER CODE					
G125-MCXXX05LX-XXXXF					
ORDER CODE					
G125-MCXXX05LX-XXXXM					

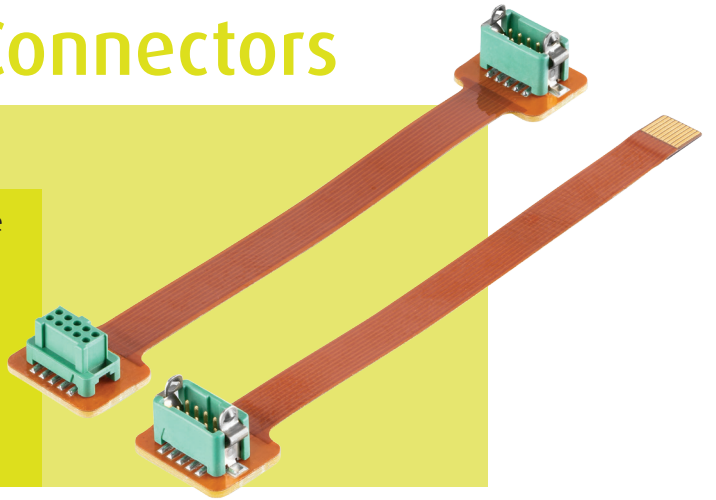
All dimensions in mm.

Patent Published

# Gecko with Latches Connectors

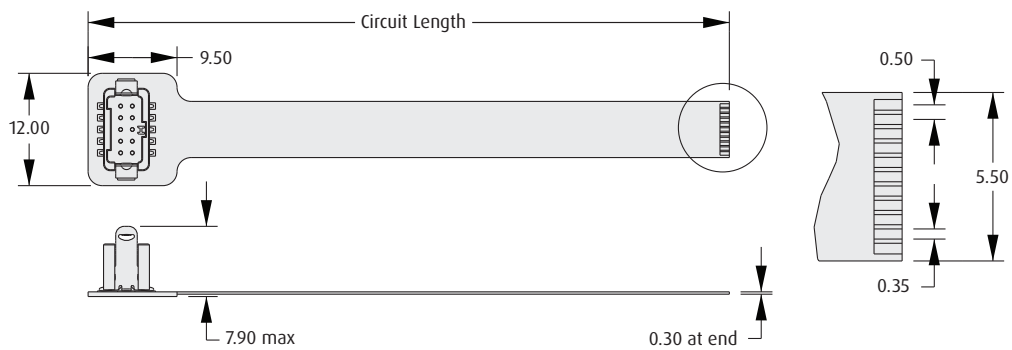
## Flexible Circuit Assemblies

- ❖ Surface mount connectors with latches assembled to flexible printed circuit for an alternative to cable connection.
- ❖ Improved bend radius and lower mated height than equivalent cable assemblies.
- ❖ The free end of the single-ended assembly is compatible with 0.5mm pitch FPC connectors.
- ❖ Contact Harwin for alternative connector sizes and cable lengths.

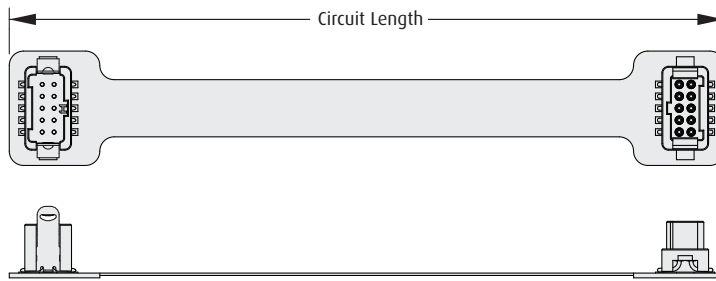


GEEKO WITH LATCHES

### MALE SINGLE ENDED



### MALE - FEMALE DOUBLE ENDED



### HOW TO ORDER

**G125 - F1 MS1 10 - 075 - XXX**

**SERIES CODE**

**CONNECTOR - FIRST END**

**MS1** Male with Latches

**TOTAL NO. OF CONTACTS**

**10**

**CONNECTOR - SECOND END**

<b>L</b>	Free End (Single Ended)
<b>FS1</b>	Female compatible with Latches

**CIRCUIT LENGTH**

**075** 75mm

All dimensions in mm.

Patent Published

# Gecko Connectors Tooling

- ❖ Instruction sheets can be accessed at [www.harwin.com/instructions](http://www.harwin.com/instructions).
- ❖ A Gecko Crimping Instruction video is available at [www.harwin.com/harwintv](http://www.harwin.com/harwintv).

GECKO

HAND CRIMP TOOL	POSITIONER												
<ul style="list-style-type: none"> <li>❖ Precision tool with ratchet mechanism and 8-indent form.</li> <li>❖ Must be used with positioner.</li> <li>❖ Instruction sheet available.</li> </ul>  <table border="1" data-bbox="483 1138 808 1255"> <thead> <tr> <th colspan="2">ORDER CODE</th> </tr> </thead> <tbody> <tr> <td>Signal crimps</td> <td><b>Z125-900</b></td> </tr> <tr> <td>Power crimps</td> <td><b>Z125-903</b></td> </tr> </tbody> </table>	ORDER CODE		Signal crimps	<b>Z125-900</b>	Power crimps	<b>Z125-903</b>	<ul style="list-style-type: none"> <li>❖ Must be used with hand crimp tool.</li> </ul>  <table border="1" data-bbox="1182 1138 1515 1255"> <thead> <tr> <th colspan="2">ORDER CODE</th> </tr> </thead> <tbody> <tr> <td>Signal crimps</td> <td><b>Z125-901</b></td> </tr> <tr> <td>Power crimps</td> <td><b>Z125-904</b></td> </tr> </tbody> </table>	ORDER CODE		Signal crimps	<b>Z125-901</b>	Power crimps	<b>Z125-904</b>
ORDER CODE													
Signal crimps	<b>Z125-900</b>												
Power crimps	<b>Z125-903</b>												
ORDER CODE													
Signal crimps	<b>Z125-901</b>												
Power crimps	<b>Z125-904</b>												
INSERTION/REMOVAL TOOL	INSERTION/REMOVAL TOOL												
<ul style="list-style-type: none"> <li>❖ For inserting and removing crimped signal contacts into the rear of housings.</li> <li>❖ Instruction sheet available.</li> </ul>  <table border="1" data-bbox="630 1810 808 1894"> <thead> <tr> <th colspan="2">ORDER CODE</th> </tr> </thead> <tbody> <tr> <td></td> <td><b>Z125-902</b></td> </tr> </tbody> </table>	ORDER CODE			<b>Z125-902</b>	<ul style="list-style-type: none"> <li>❖ For inserting and removing crimped power contacts into the rear of housings.</li> <li>❖ Instruction sheet available.</li> </ul>  <table border="1" data-bbox="1328 1810 1515 1894"> <thead> <tr> <th colspan="2">ORDER CODE</th> </tr> </thead> <tbody> <tr> <td></td> <td><b>Z125-905</b></td> </tr> </tbody> </table>	ORDER CODE			<b>Z125-905</b>				
ORDER CODE													
	<b>Z125-902</b>												
ORDER CODE													
	<b>Z125-905</b>												

All dimensions in mm.

Patent Published



# Gecko Connectors Tooling

❖ Instruction sheets can be accessed at [www.harwin.com/instructions](http://www.harwin.com/instructions).

<p><b>HEX DRIVE BIT</b></p> <ul style="list-style-type: none"> <li>❖ 1.5mm A/F Hex end for Gecko Screw-Lok Hex Socket fixings.</li> <li>❖ For use with torque tooling or similar equipment.</li> </ul>  <p><b>ORDER CODE</b> Z9950-00</p>	<p><b>BALL HEX DRIVER</b></p> <ul style="list-style-type: none"> <li>❖ 1.5mm A/F Hex end for Gecko Screw-Lok Hex Socket fixings.</li> <li>❖ Ball-shaped end can be used at a wide range of angles.</li> </ul>  <p><b>ORDER CODE</b> Z9952-00</p>
<p><b>SCREWDRIVER</b></p> <ul style="list-style-type: none"> <li>❖ For use with Gecko Screw-Lok board mount nuts.</li> <li>❖ Board mount nuts to be tightened to a torque of <math>21 \pm 2</math>cmN.</li> </ul>  <p><b>ORDER CODE</b> Z80-298</p>	<p><b>DELATCH TOOL</b></p> <ul style="list-style-type: none"> <li>❖ For assisting with unmating latched connectors.</li> </ul>  <p><b>ORDER CODE</b> Z125-926xx00</p> <p>Replace xx with No. of Contacts: 06, 10, 12, 16, 20, 26, 34 or 50</p>

All dimensions in mm.

Patent Published