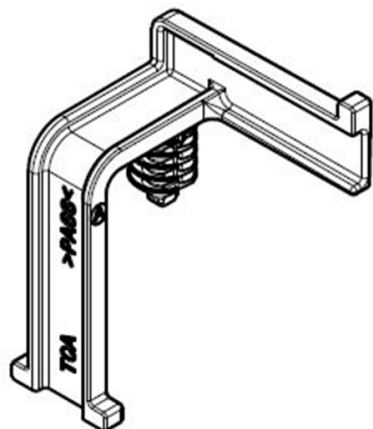


## Specification Sheet

Part Number: 151-01125



Standoff Bundling Clip, 1.7" Long, Panel Thickness .02"-.23", PA66HIRHS, Gray, 5000/box

<b>Article Number</b>	151-01125
<b>Type</b>	SOC13FT6LGL
<b>Color</b>	Gray (GY)
<b>Features &amp; Benefits</b>	<ul style="list-style-type: none"><li>• Clip can be installed by hand – no need for hardware or tools.</li><li>• Design provides low insertion and high extraction force, for simple, secure performance.</li><li>• Clip keeps bundle away from areas that could cause damage due to rubbing.</li></ul>
<b>Quantity Per</b>	carton

<b>Product Description</b>	Standoff bundling clips provide a straightforward way to secure cable bundles, hoses or pipes. The bundle fastens to the tape bar using tape or cable ties. Multiple orientations allow tape clips to be used with a wide range of panel thicknesses and hole diameters. Standoff keeps bundles away from mounting area to prevent them from damage due to rubbing.
<b>Short Description</b>	Standoff Bundling Clip, 1.7" Long, Panel Thickness .02"-.23", PA66HIRHS, Gray, 5000/box
<b>Global Part Name</b>	SOC13FT6LGL-PA66HIRHS-GY
<b>Length L (Imperial)</b>	1.7
<b>Length L (Metric)</b>	43.2
<b>Offset Length(Imperial)</b>	0.8
<b>Offset Length(Metric)</b>	20.3
<b>Fixation Method</b>	Fir Tree
<b>Width W (Imperial)</b>	0.87
<b>Width W (Metric)</b>	22.0
<b>Height H (Imperial)</b>	1.33
<b>Height H (Metric)</b>	33.7
<b>Panel Thickness Min(Imperial)</b>	0.02
<b>Panel Thickness Max(Imperial)</b>	0.23

<b>Panel Thickness Min (Metric)</b>	0.6
<b>Panel Thickness Max (Metric)</b>	5.75
<b>Mounting Hole Diameter D (Imperial)</b>	0.24 - 0.27
<b>Mounting Hole Diameter D (Metric)</b>	6.1 - 6.9 mm 6.35 mm (hexagonal)
<b>Mounting Hole Diameter D Min (Imperial)</b>	0.24
<b>Mounting Hole Diameter D Max (Imperial)</b>	0.27
<b>Mounting Hole Diameter D Max (Metric)</b>	6.9
<b>Material</b>	Polyamide 6.6, high impact modified, heat stabilized (PA66HIRHS)
<b>Material Shortcut</b>	PA66HIRHS
<b>Flammability</b>	UL 94 HB
<b>Operating Temperature (Metric)</b>	-40°F to +230°F (-40°C to +110°C)
<b>Package Quantity(Imperial)</b>	5000
<b>Package Quantity (Metric)</b>	5000
<b>Customs Number</b>	3926909988

**Content Unit(BMEcat)**

pcs.

© 2020 HellermannTyton. All Rights Reserved.

[Contact Us](#)

[RoHS/WEEE Compliance](#)

[Disclaimer](#)

[Terms and Conditions](#)