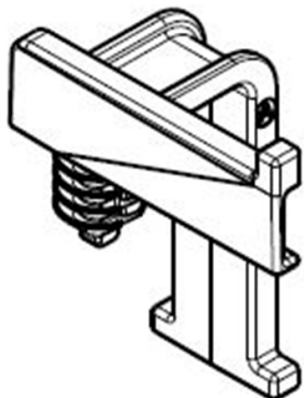


## Specification Sheet

Part Number: 151-01126



Standoff Bundling Clip, 1.7" Long, Panel Thickness .02"-.23", PA66HIRHSUV, Black, 5000/box

**Article Number** 151-01126

**Type** SOC13FT6LGR

**Color** Black (BK)

**Features & Benefits**

- Clip can be installed by hand – no need for hardware or tools.
- Design provides low insertion and high extraction force, for simple, secure performance.
- Clip keeps bundle away from areas that could cause damage due to rubbing.

**Quantity Per** carton

**Product Description** Standoff bundling clips provide a straightforward way to secure cable bundles, hoses or pipes. The bundle fastens to the tape bar using tape or cable ties. Multiple orientations allow tape clips to be used with a wide range of panel thicknesses and hole diameters. Standoff keeps bundles away from mounting area to prevent them from damage due to rubbing.

**Short Description** Standoff Bundling Clip, 1.7" Long, Panel Thickness .02"-.23", PA66HIRHSUV, Black, 5000/box

**Global Part Name** SOC13FT6LGR-PA66HIRHSUV-BK

**Length L (Imperial)** 1.7

**Length L (Metric)** 43.2

**Offset Length(Imperial)** 0.8

**Offset Length(Metric)** 20.3

**Fixation Method** Fir Tree

**Width W (Imperial)** 0.87

**Width W (Metric)** 22.0

**Height H (Imperial)** 1.33

**Height H (Metric)** 33.7

**Panel Thickness Min(Imperial)** 0.02

**Panel Thickness Max(Imperial)** 0.23

|  |  |
|--|--|
| <b>Panel Thickness Min (Metric)</b>            | 0.51   |
| <b>Panel Thickness Max (Metric)</b>            | 5.8  |
| <b>Mounting Hole Diameter D (Imperial)</b>     | 0.24 - 0.27  |
| <b>Mounting Hole Diameter D (Metric)</b>       | 6.1 - 6.9 mm   |
| <b>Mounting Hole Diameter D Min (Imperial)</b> | 0.24   |
| <b>Mounting Hole Diameter D Max (Imperial)</b> | 0.27   |
| <b>Mounting Hole Diameter D Max (Metric)</b>   | 6.9  |
| <b>Material</b>                                | Polyamide 6.6 high impact modified, heat and UV stabilized (PA66HIRHSUV) |
| <b>Material Shortcut</b>                       | PA66HIRHSUV  |
| <b>Operating Temperature (Metric)</b>          | -40°F to +221°F (-40°C to +105°C)  |
| <b>Package Quantity(Imperial)</b>              | 5000   |
| <b>Package Quantity (Metric)</b>               | 5000   |
| <b>Customs Number</b>                          | 3926909988   |
| <b>Content Unit(BMEcat)</b>                    | pcs.   |

© 2020 HellermannTyton. All Rights Reserved.

[Contact Us](#)   [RoHS/WEEE Compliance](#)   [Disclaimer](#)   [Terms and Conditions](#)