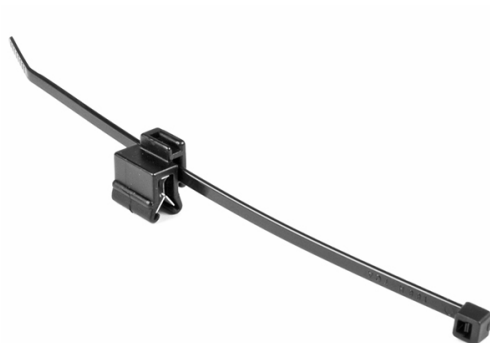


## Specification Sheet

Part Number: 156-01546



Cable Tie/Edge Clip, 5.7"L, 0.5–2.5 mm Panel, Perpendicular, 30lb, PA66HS/PA66HIRHS, BK, 500/pkg

**Article Number** 156-01546

**Type** T30ROSEC0.5-2.5SP-SVB

**Color** Black (BK)

### Features & Benefits

- Low-profile clip attaches easily to plastic and metal edges as thin as 0.5 mm and up to 2.5 mm without the need for a mounting hole.
- Two designs allow bundles to be secured parallel or vertical to surface edges.
- Provides low insertion force and high extraction force – ideal for assembly environments.
- Two-piece assembly allows the mount to slide along the strap, ensuring proper orientation.
- Cable tie is outside serrated to reduce bundle chafing.

**Quantity Per** bag

<b>Product Description</b>	HellermannTyton's Two Piece Edge Clip with Cable Tie Assemblies are designed specifically to route bundles by securing them to the edge of a plastic or metal sheet without the need for a mounting hole. The clip is easy to secure and the extraction force is high due to the integrated metal clamp that holds the edge clip in place.
<b>Short Description</b>	Cable Tie/Edge Clip, 5.7"L, 0.5–2.5 mm Panel, Perpendicular, 30lb, PA66HS/PA66HIRHS, BK, 500/pkg
<b>Global Part Name</b>	T30ROSEC0.5-2.5SP-SVB-PA66HS/PA66HIRHS-BK
<b>Minimum Tensile Strength (Imperial)</b>	30.0
<b>Minimum Tensile Strength (Metric)</b>	133
<b>Length L (Imperial)</b>	5.7
<b>Length L (Metric)</b>	145.0
<b>Fixation Method</b>	EdgeClip, sideways, assembled, 2 piece
<b>Identification Plate Position</b>	none
<b>Variant</b>	Outside Serrated
<b>Width W (Imperial)</b>	0.13
<b>Width W (Metric)</b>	3.4
<b>Bundle Diameter Min (Imperial)</b>	0.06
<b>Bundle Diameter Min (Metric)</b>	1.6

<b>Bundle Diameter Max (Imperial)</b>	1.38
<b>Bundle Diameter Max (Metric)</b>	30.0
<b>Height H (Imperial)</b>	0.05
<b>Height H (Metric)</b>	1.2
<b>Panel Thickness Min(Imperial)</b>	0.01
<b>Panel Thickness Max(Imperial)</b>	0.1
<b>Panel Thickness Min (Metric)</b>	0.5
<b>Panel Thickness Max (Metric)</b>	2.5
<b>Material</b>	Polyamide 6.6, high impact modified, heat stabilized (PA66HIRHS) Polyamide 6.6 heat stabilized (PA66HS)
<b>Material Shortcut</b>	PA66HS PA66HIRHS
<b>Material Cable Tie</b>	Polyamide 6.6 heat stabilized (PA66HS)
<b>Flammability</b>	UL 94 HB
<b>Operating Temperature (Metric)</b>	-40°F to +221°F (-40°C to +105°C)
<b>Reach Complaint(Article 33)</b>	Yes
<b>ROHS Complaint</b>	Yes

<b>Package Quantity(Imperial)</b>	500
<b>Package Quantity (Metric)</b>	500
<b>Customs Number</b>	3926909988
<b>Content Unit(BMEcat)</b>	pcs.