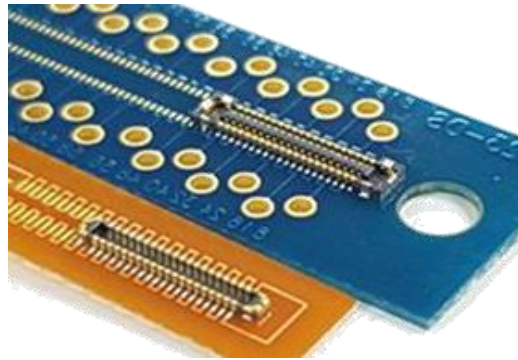




# BM23PF Series

HK\_E17004F\_BM23PF

## 5A Max., 0.8mm Stacking height, Board to FPC connectors

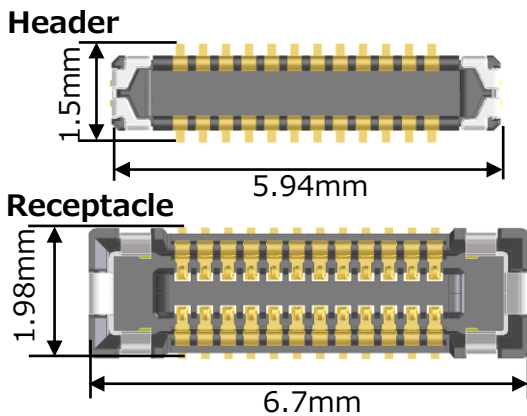


*Supports  
USB Type C  
Transmission*

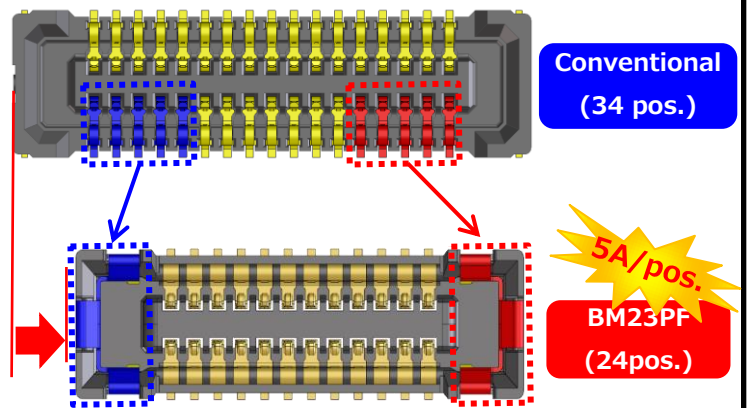
### ◆ Features

1. Power & signal hybrid board to FPC connector suitable for power line connection
  - Rated current : 5Amps for power contact, 0.3Amps for signal contact
2. Space saving : 0.35mm pitch, 0.8mm stacking height, 1.98mm depth
3. Robust structure with metal covered guidance ribs
4. Easy mating operation by clear tactile click and wide self alignment range
5. Highly reliable 2-point contact structure
6. Wide vacuum pick & place area configured in space with 1.98mm depth
7. Supports USB3.1 gen.2 (10Gbps) transmission

### ◆ Dimensions (24 pos.)



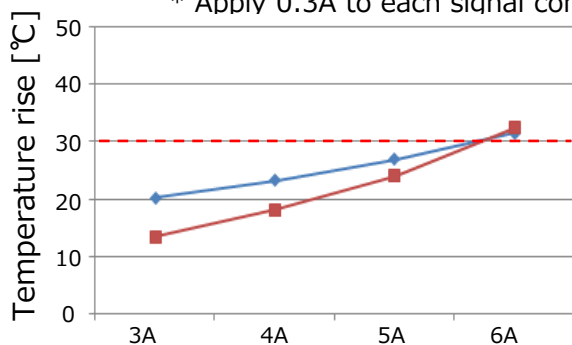
### ◆ Space saving



### ◆ Power up to 5A

30°C or less temperature rising while 5Amps power being applied (40pos.)

\* Apply 0.3A to each signal contact

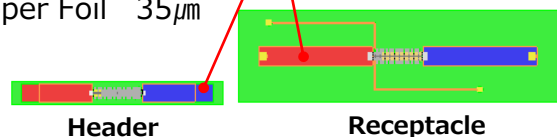


### Test Board Specifications

Pattern Width (Power contact) 5mm

PCB FR-4 70x20x0.8

Copper Foil 35μm



### ◆ Variations

-10,14,20,24,30,40,42,46,54 pos.

Specifications herein are subject to change without notice. Contact Hirose for latest specifications, drawings or availabilities

Oct.1.2017 Copyright 2017 HIROSE ELECTRIC CO., LTD. All Rights Reserved.