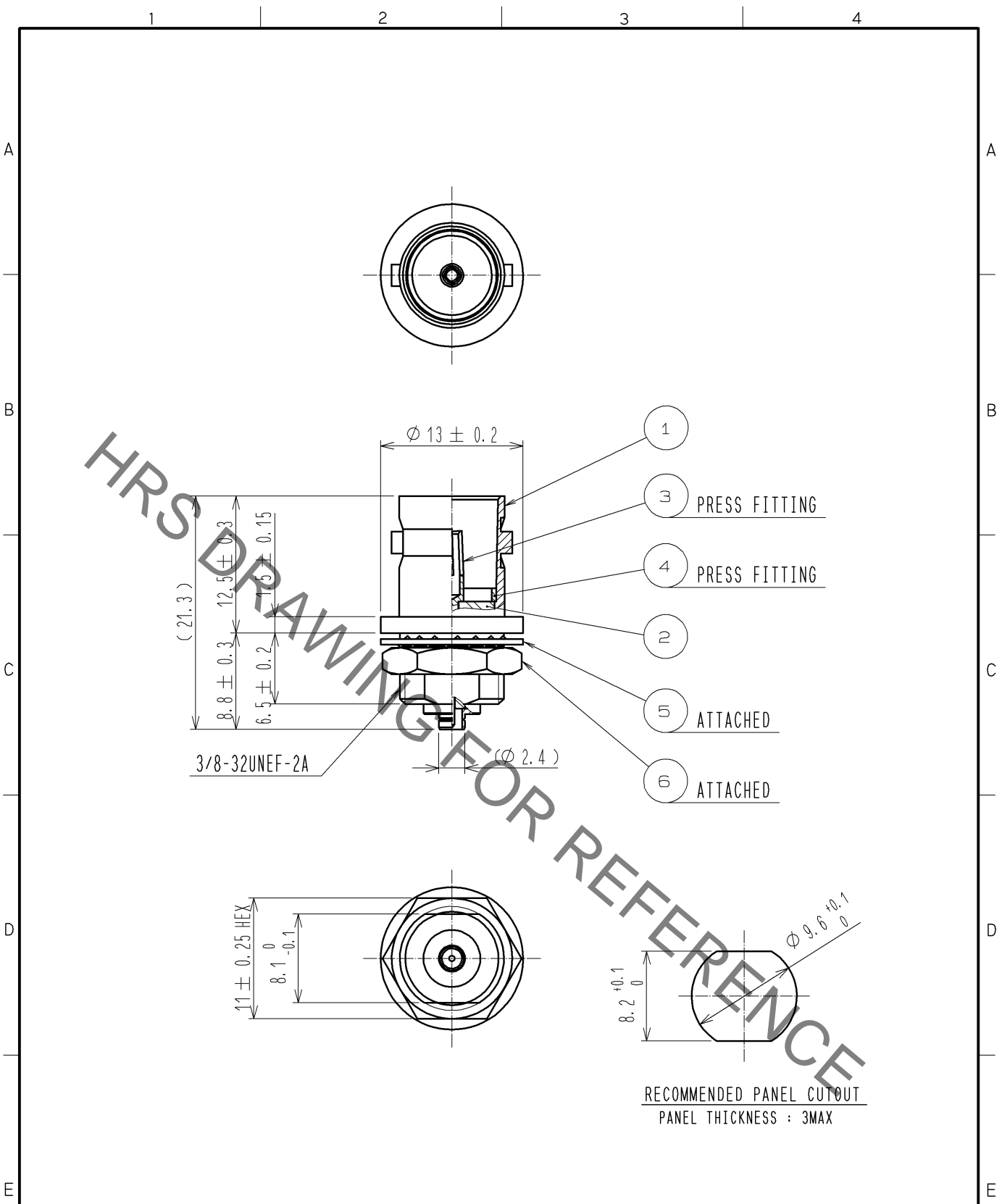


Oct.1.2019 Copyright 2019 HIROSE ELECTRIC CO., LTD. All Rights Reserved.  
 In case of consideration for using Automotive equipment / device which demand high reliability, kindly contact our sales window correspondents.



RECOMMENDED PANEL CUTOUT  
 PANEL THICKNESS : 3MAX

RoHS COMPLIANT

3	BERYLLIUM COPPER	GOLD PLATING	6	BRASS	NICKEL PLATING
2	PTFE		5	STEEL	NICKEL PLATING
1	BRASS	NICKEL PLATING	4	BRASS	NICKEL PLATING
NO.	MATERIAL	FINISH , REMARKS	NO.	MATERIAL	FINISH , REMARKS

UNITS mm		SCALE 2 : 1	COUNT 	DESCRIPTION OF REVISIONS	DESIGNED	CHECKED	DATE	
HIROSE ELECTRIC CO., LTD.		APPROVED : MH. YAMANE	10.12.24	DRAWING NO.	EDC4-132230-40			
		CHECKED : NK. NINOMIYA	10.12.22	PART NO.	BNC(75)J-H. FLJ-BPA(40)			
		DESIGNED : MT. KANEKO	10.12.22	CODE NO.	CL311-0302-8-40		1	1
		DRAWN : KH. HIKITA	10.12.17					