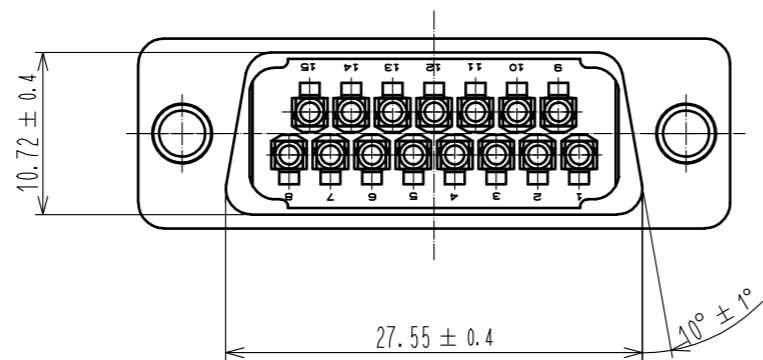
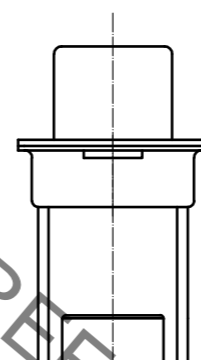
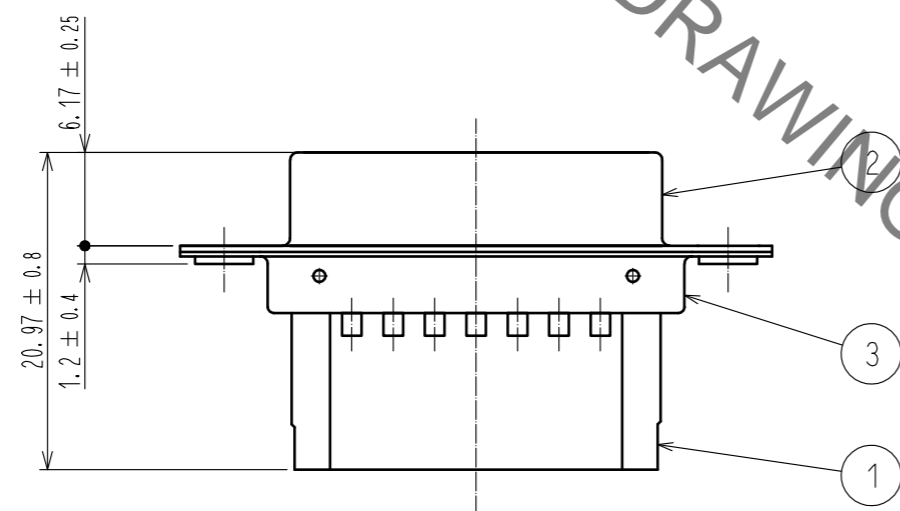
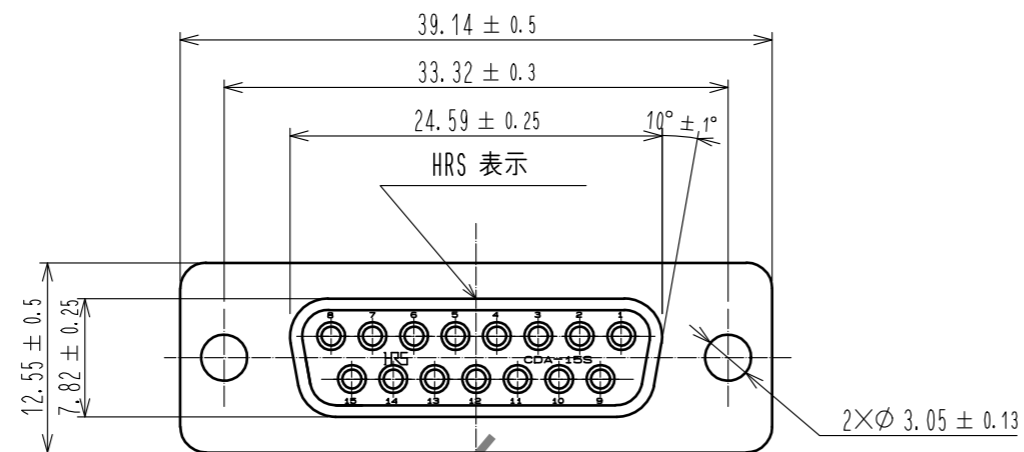


Oct.1.2019 Copyright 2019 HIROSE ELECTRIC CO., LTD. All Rights Reserved.
 In case of consideration for using Automotive equipment / device which demand high reliability, kindly contact our sales window correspondents.



HRS DRAWING FOR REFERENCE

2	Steel	Nickel plating 1μm min.		
1	PBT	Black, UL94V-0	3	Steel Nickel plating 1μm min.
NO.	MATERIAL	FINISH . REMARKS	NO.	MATERIAL FINISH . REMARKS
UNITS mm			SCALE 2 : 1	COUNT
HRS HIROSE ELECTRIC CO., LTD.		APPROVED : RI. TAKAYASU 20181011	DESIGNED	CHECKED
		CHECKED : AH. KODAMA 20181011	DATE	
		DESIGNED : YS. SAKODA 20181011	DRAWING NO. EDC-010056-05-00	
		DRAWN : KIM JAEHYEON 20181011	PART NO. CDA-15S(05)	
			CODE NO. CL211-0280-9-05	