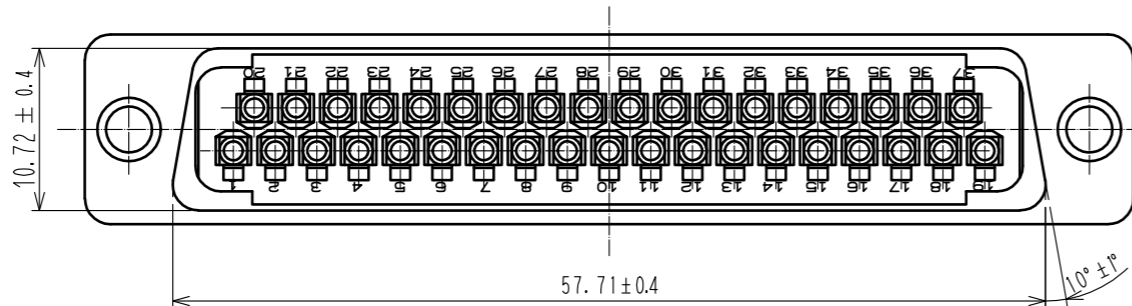
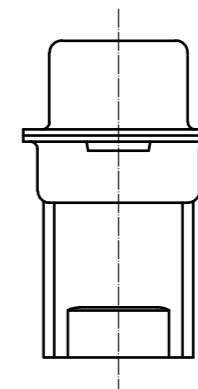
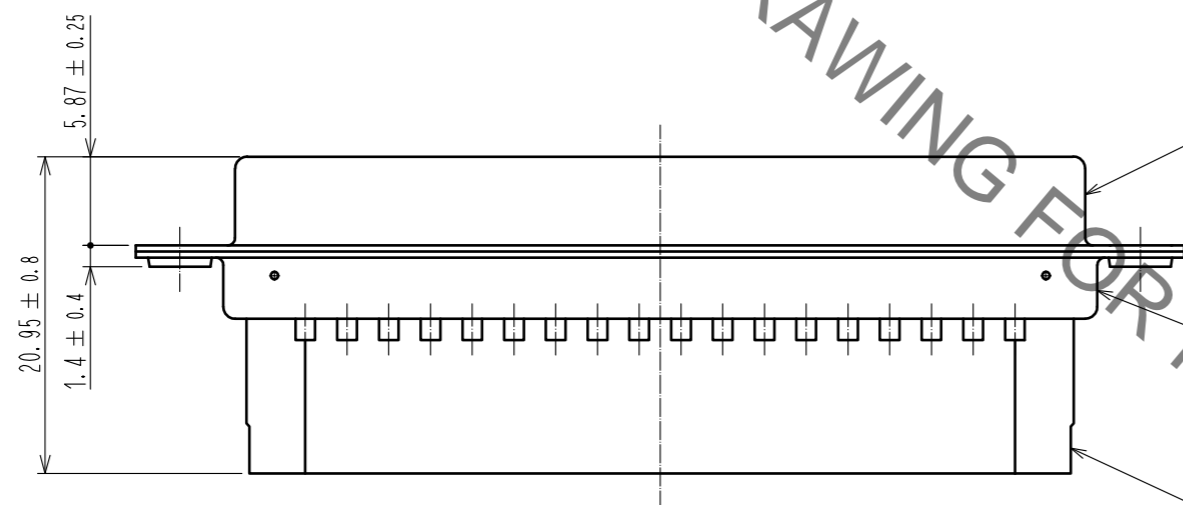
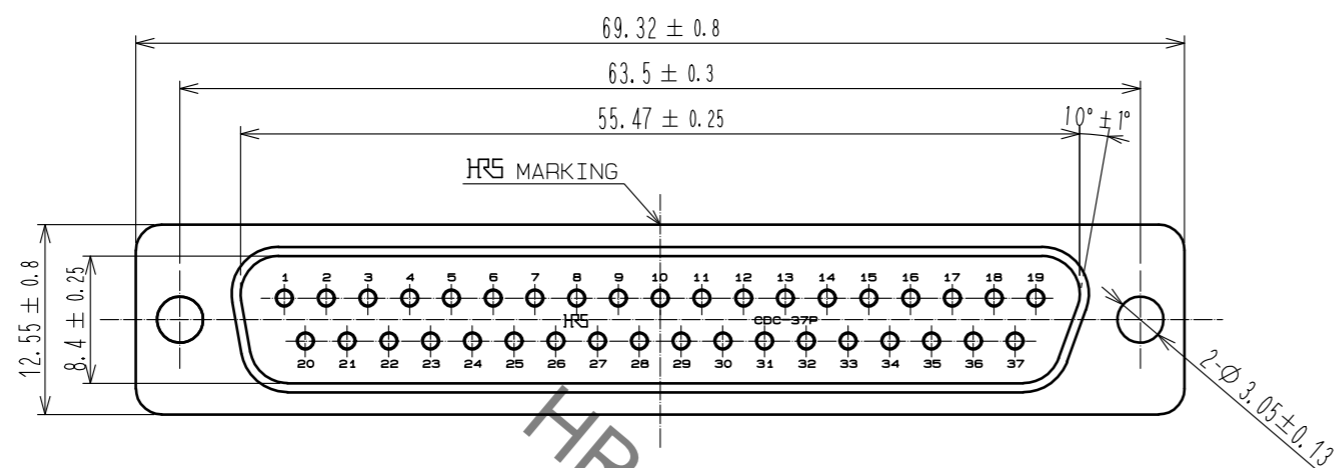


Oct.1.2019 Copyright 2019 HIROSE ELECTRIC CO., LTD. All Rights Reserved.
 In case of consideration for using Automotive equipment / device which demand high reliability, kindly contact our sales window correspondents.



HRS DRAWING FOR REFERENCE

1	PBT	Black , UL94V-0	3	Steel	Nickel plating 1μm min			
NO.	MATERIAL	FINISH . REMARKS	NO.	MATERIAL	FINISH . REMARKS			
UNITS mm			SCALE 2 : 1	COUNT 	DESCRIPTION OF REVISIONS	DESIGNED	CHECKED	DATE
HRS HIROSE ELECTRIC CO., LTD.		APPROVED : NM. NISHIMATSU	16. 11. 25	DRAWING NO. EDC-010053-05-00				
		CHECED : NM. NISHIMATSU	16. 11. 25	PART NO. CDC-37P(05)				
		DESIGNED : MO. SHIMOYAMA	16. 11. 25	CODE NO. CL211-0281-1-05				
		DRAWN : JY. IGA	16. 11. 25					