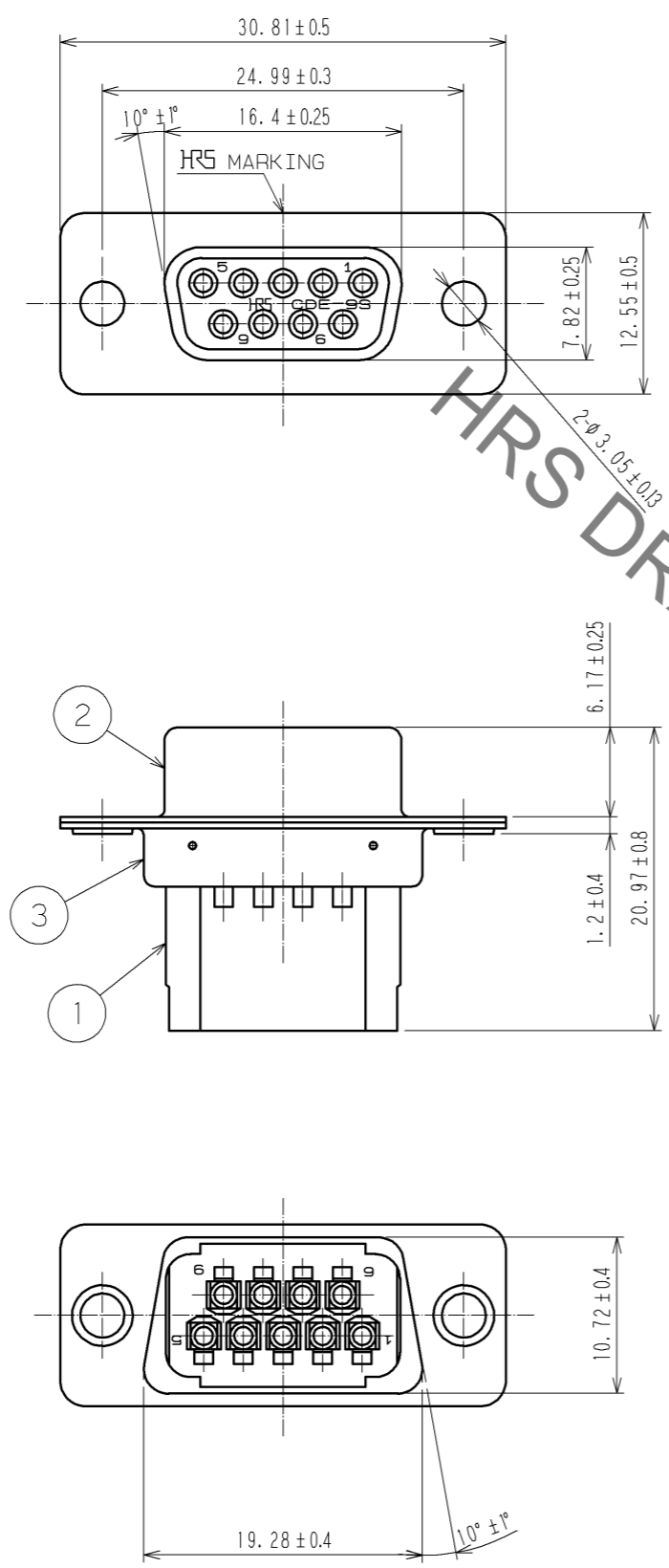


Oct.1.2019 Copyright 2019 HIROSE ELECTRIC CO., LTD. All Rights Reserved.  
 In case of consideration for using Automotive equipment / device which demand high reliability, kindly contact our sales window correspondents.



HRS DRAWING FOR REFERENCE

2	STEEL	NICKEL PLATING 2μm						
1	PBT	UL94V-0 BLACK	3	STEEL	NICKEL PLATING 2μm			
NO.	MATERIAL	FINISH . REMARKS	NO.	MATERIAL	FINISH . REMARKS			
UNITS mm			SCALE 2 : 1	COUNT 	DESCRIPTION OF REVISIONS	DESIGNED	CHECKED	DATE
<b>HRS</b> HIROSE ELECTRIC CO., LTD.		APPROVED : HO. MIWA	06.07.26	DRAWING NO. EDC3-009358-01				
		CHECED : HO. MIWA	06.07.26	PART NO. CDE-9S(05)				
		DESIGNED : YH. ENAMI	06.07.26	CODE NO. CL211-0207-9-05				
		DRAWN : YH. ENAMI	06.07.26					