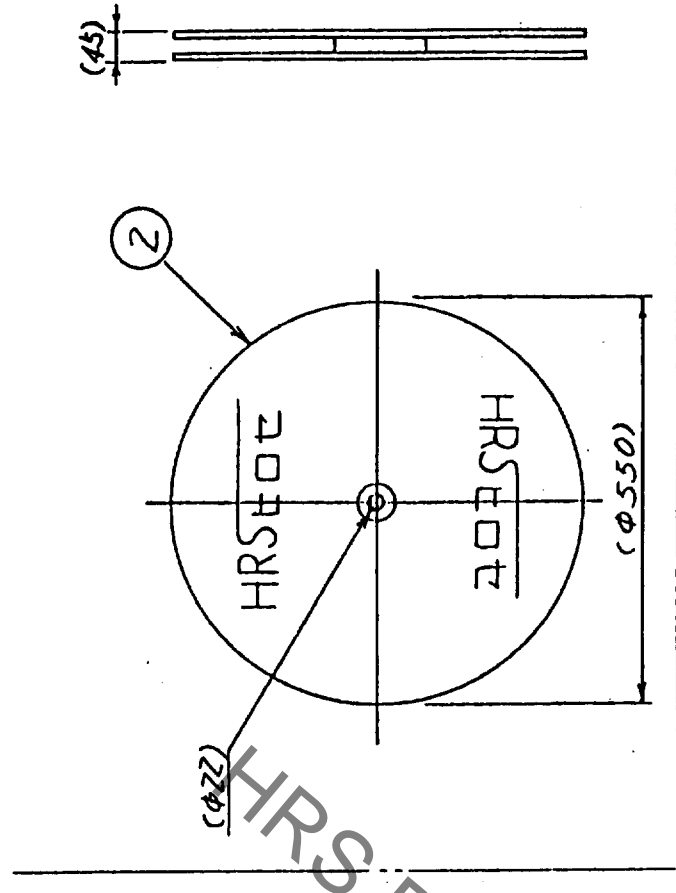


Oct.1.2019 Copyright 2019 HIROSE ELECTRIC CO., LTD. All Rights Reserved.
 In case of consideration for using Automotive equipment / device which demand high reliability, kindly contact our sales window correspondents.

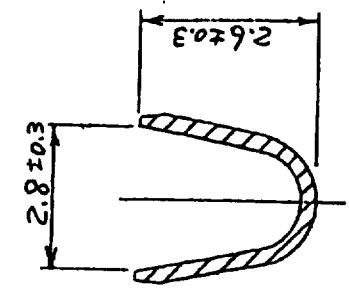
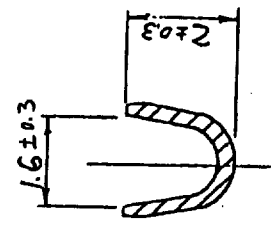
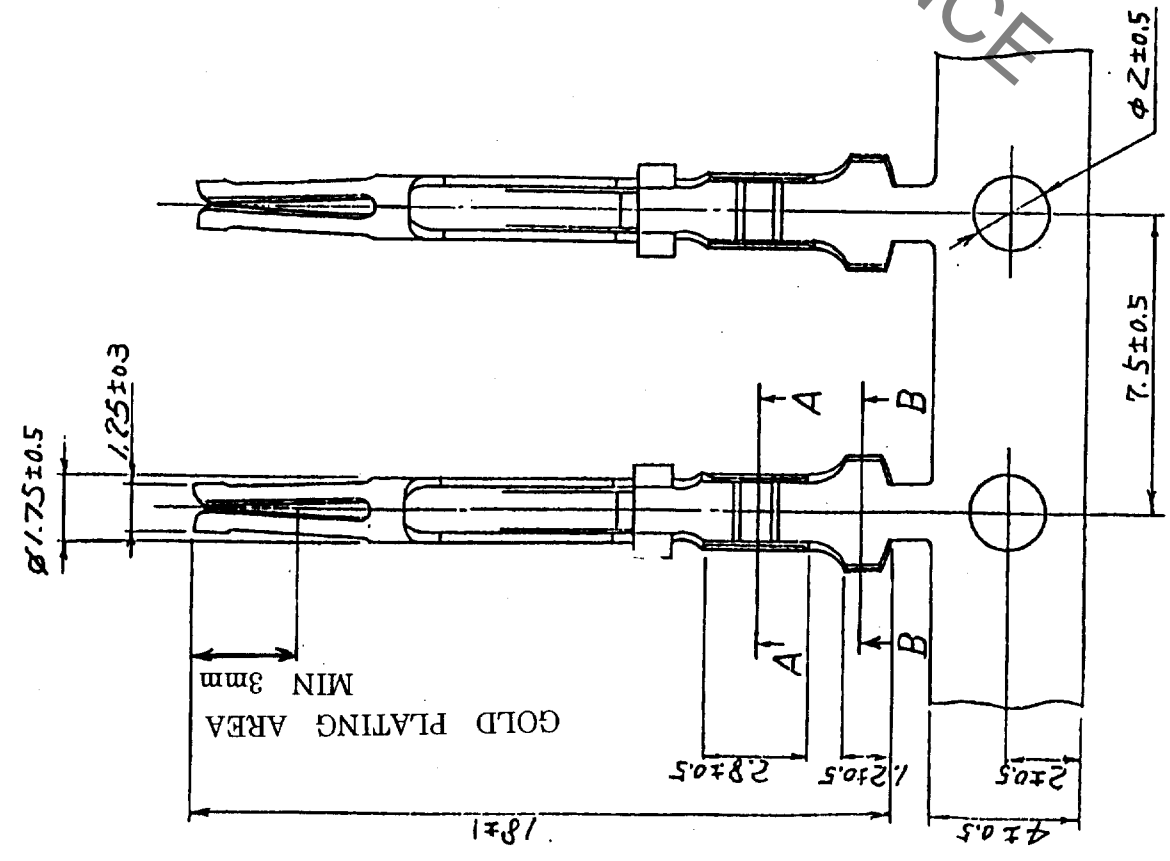
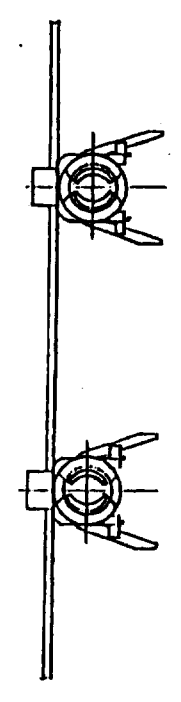
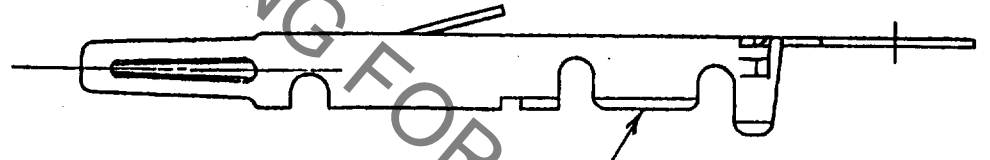
| NO. | DESCRIPTION OF REVISIONS | BY | CHKD | DATE | COUNT | DESCRIPTION OF REVISIONS | BY | CHKD | DATE |
|-----|--------------------------|----|------|------|-------|--------------------------|----|------|------|
| 1 | | | | | | | | | |
| 2 | | | | | | | | | |
| 3 | | | | | | | | | |
| 4 | | | | | | | | | |
| 5 | | | | | | | | | |
| 6 | | | | | | | | | |
| 7 | | | | | | | | | |
| 8 | | | | | | | | | |

REEL 1:10



A-A 1:10

B-B 1:10



| | |
|----|--|
| TO | |
| Q1 | |
| | |
| | |

| 1 | PHOSPHOR BRONZE SELECTIVE GOLD PLATING OVER NICKEL | 2 | CARTON | FINISH, REMARKS | | FINISH, REMARKS | |
|------------------------|--|-----|----------|---------------------------|----------|-----------------|----------|
| NO. | MATERIAL | NO. | MATERIAL | DESIGNED | CHECKED | APPROVED | RELEASED |
| | | | | T.ASO | J. Asano | H. Yamakita | |
| | | | | 98.6.1 | 98.6.2 | 98.6.2 | 98.6.2 |
| DRAWING NO. EDC3-09354 | | | | PART NO. CD-SC-211 | | | |
| SCALE 2:1 | | | | CODE NO. 211-0203-8 | | | |
| UNITS mm | | | | HIROSE ELECTRIC CO., LTD. | | | |