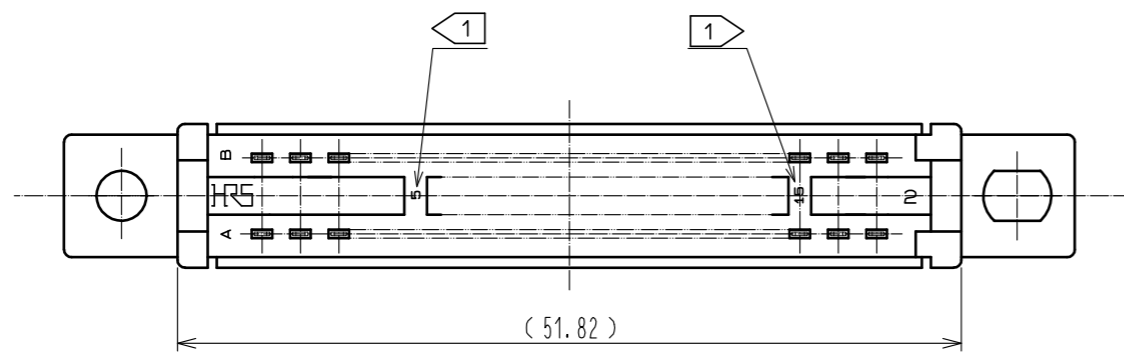
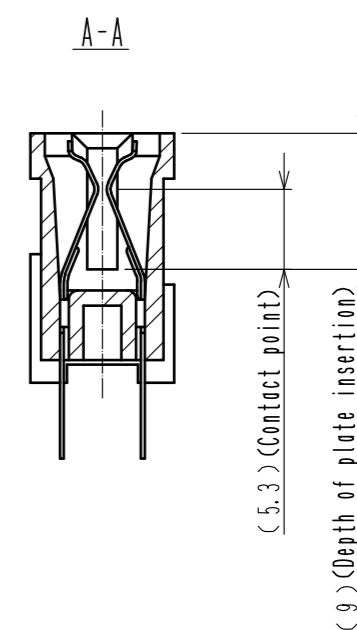
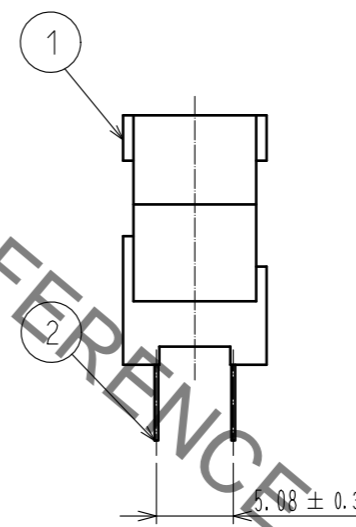
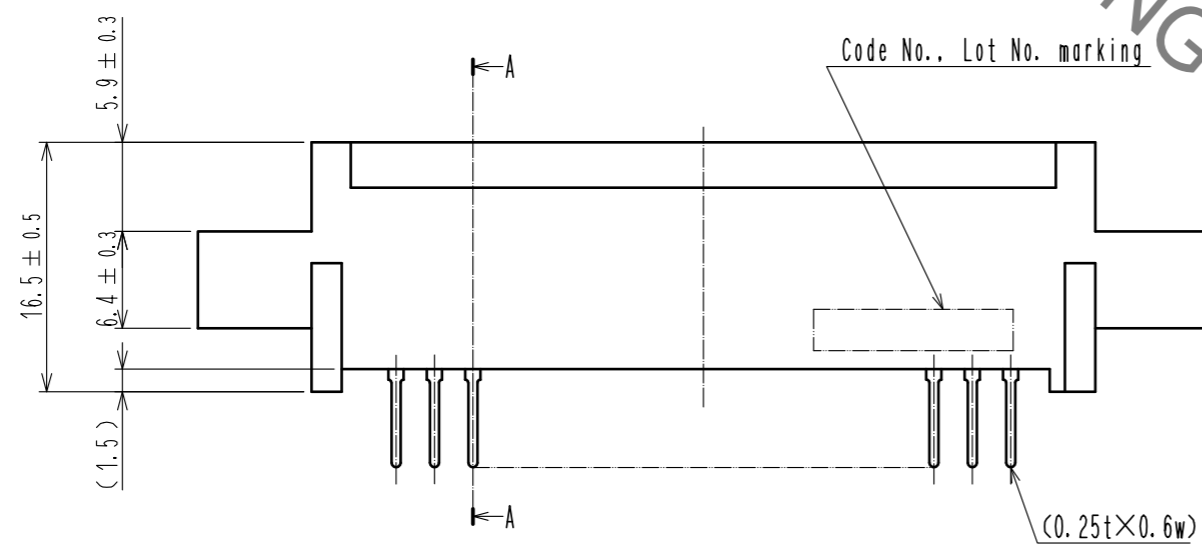
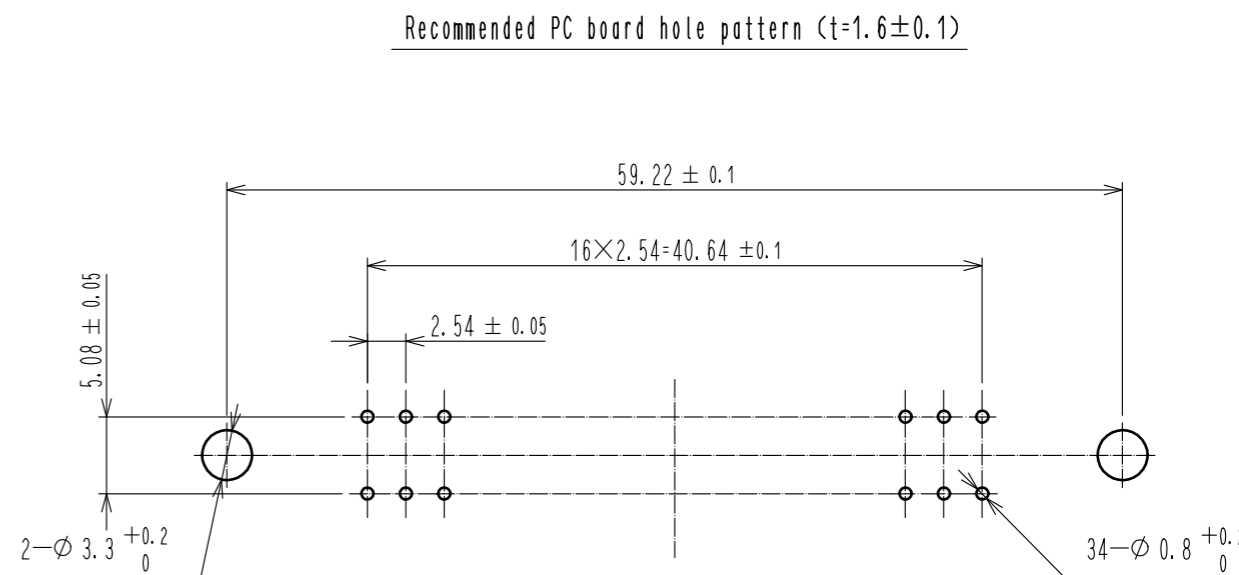
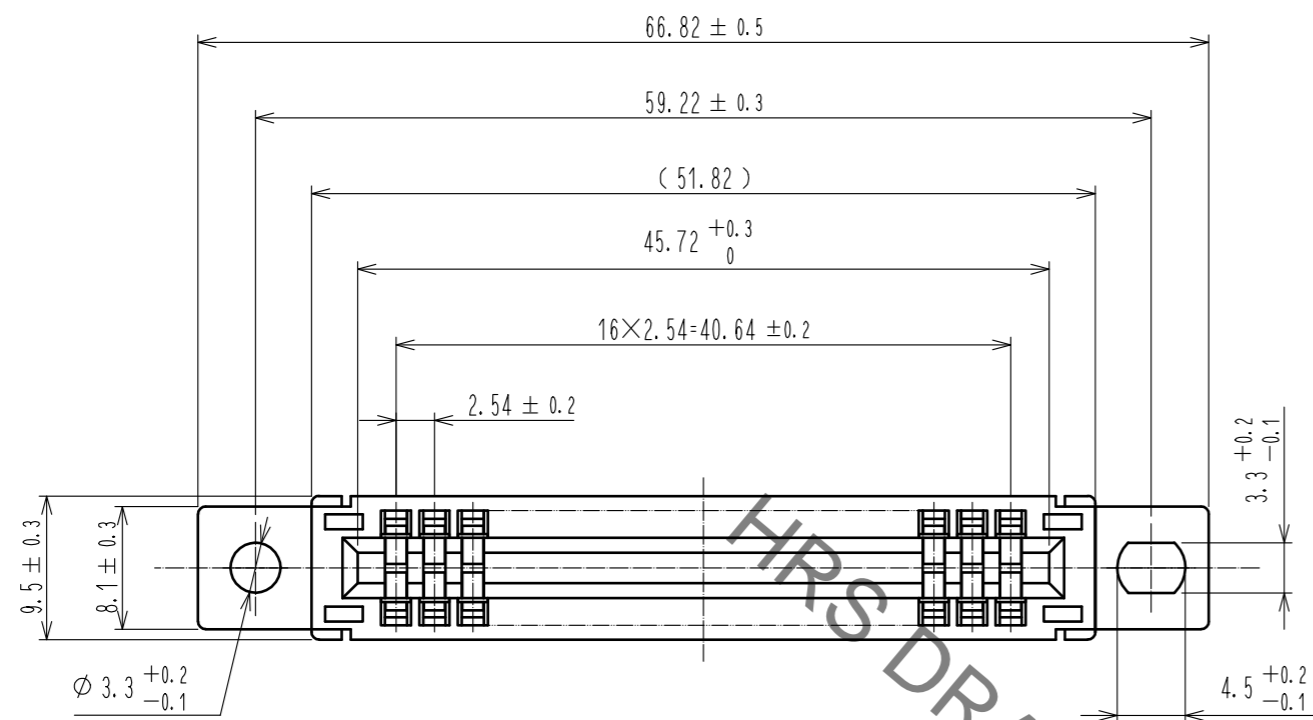


Oct.1.2019 Copyright 2019 HIROSE ELECTRIC CO., LTD. All Rights Reserved.
In case of consideration for using Automotive equipment / device which demand high reliability, kindly contact our sales window correspondents.



- Notes
- 1 Contact No. (5, 10, 15) are shown.
 - 2 A polarizing key inserted between the following contact positions. (5 to 6), (10 to 11), (15 to 16).
 - 3 The dimensions in parentheses are for reference.

1	PBT	BLACK	UL94V-0	2	PHOSPHOR BRONZE	(Contact area)Ni2.5µm+Au0.05µm (Mounting area)Ni2.5µm+Sn2µm		
NO.	MATERIAL	FINISH	REMARKS	NO.	MATERIAL	FINISH . REMARKS		
UNITS mm		SCALE 2 : 1	COUNT 	DESCRIPTION OF REVISIONS		DESIGNED	CHECKED	DATE
HRS HIROSE ELECTRIC CO., LTD.		APPROVED : HT. YAMAGUCHI	18.06.25	DRAWING NO.		EDC-017827-70-01		
		CHECKED : HT. YAMAGUCHI	18.06.25	PART NO.		CR22-34D-2.54DS(70)		
		DESIGNED : TY. EDAGAWA	18.06.25	CODE NO.		CL522-0011-5-70		
		DRAWN : MK. OOKI	18.06.21			1/1		