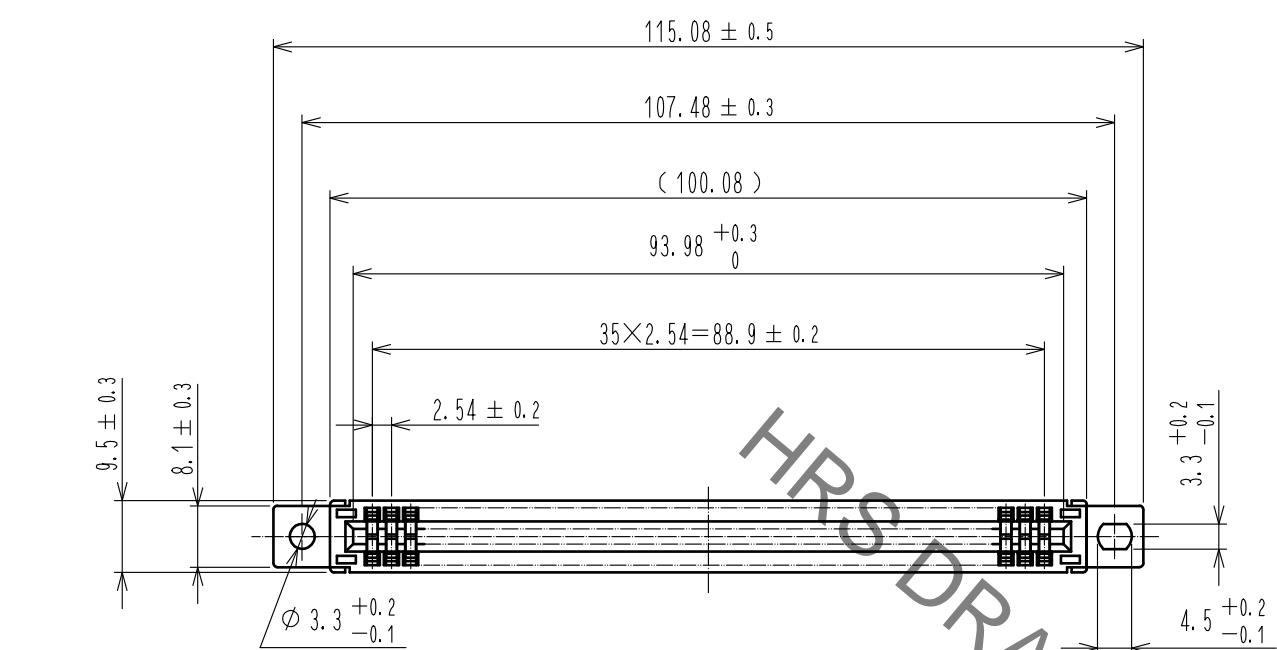
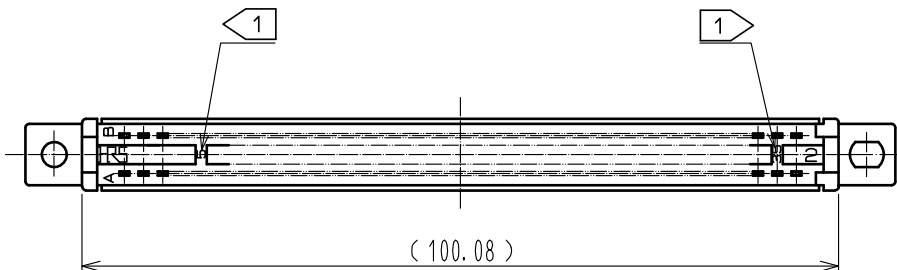
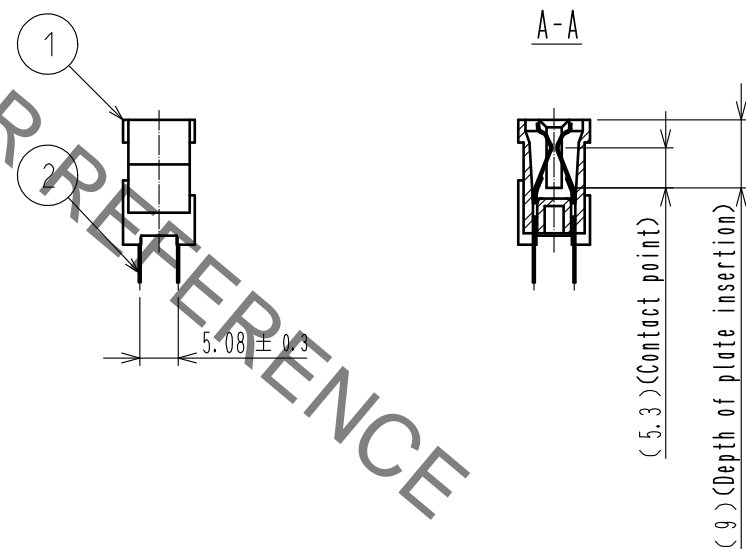
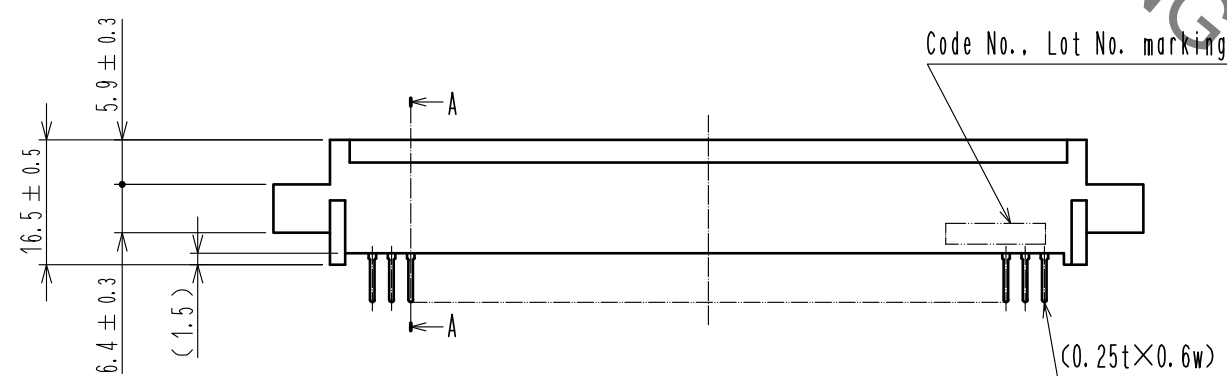
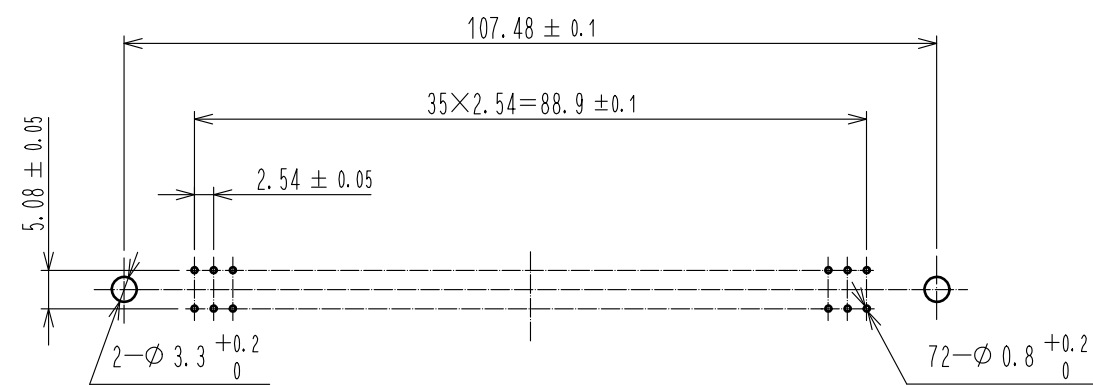


Oct.1.2019 Copyright 2019 HIROSE ELECTRIC CO., LTD. All Rights Reserved.  
In case of consideration for using Automotive equipment / device which demand high reliability, kindly contact our sales window correspondents.



Recommended PC board hole pattern (t=1.6±0.1)



- Notes
- 1 Contact No. (5, 10, 15, 20, 25, 30, 35) are shown.
  - 2 A polarizing key inserted between the following contact positions. (5 to 6), (10 to 11), (15 to 16), (20 to 21), (25 to 26), (30 to 31), (35 to 36)
  - 3 The dimensions in parentheses are for reference.

1	PBT	BLACK	UL94V-0	2	PHOSPHOR BRONZE	<Contact area>Ni2.5μm+Au0.05μm <Mounting area>Ni2.5μm+Sn2μm		
NO.	MATERIAL	FINISH	REMARKS	NO.	MATERIAL	FINISH . REMARKS		
UNITS	mm	SCALE	1 : 1	COUNT	DESCRIPTION OF REVISIONS	DESIGNED	CHECKED	DATE
<b>HIROSE ELECTRIC CO., LTD.</b>		APPROVED	: HT. YAMAGUCHI	18.06.25	DRAWING NO.	EDC-017834-70-01		
		CHECKED	: HT. YAMAGUCHI	18.06.25	PART NO.	CR22-72D-2.54DS(70)		
		DESIGNED	: TY. EDAGAWA	18.06.25	CODE NO.	CL522-0019-7-70		
		DRAWN	: MK. OOKI	18.06.21				