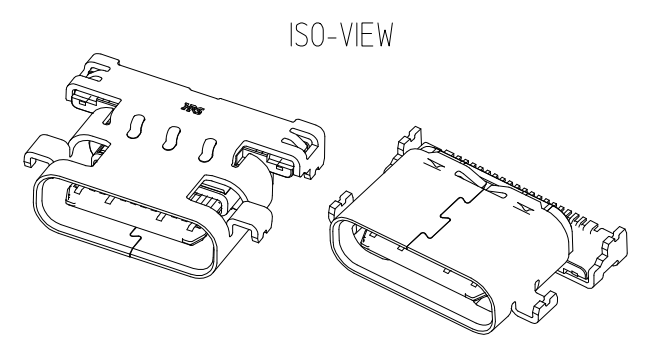
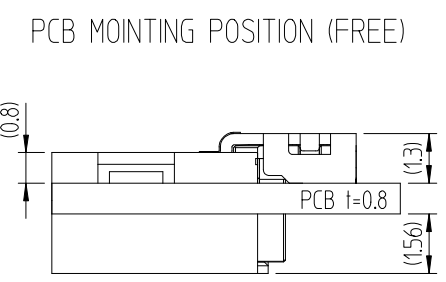
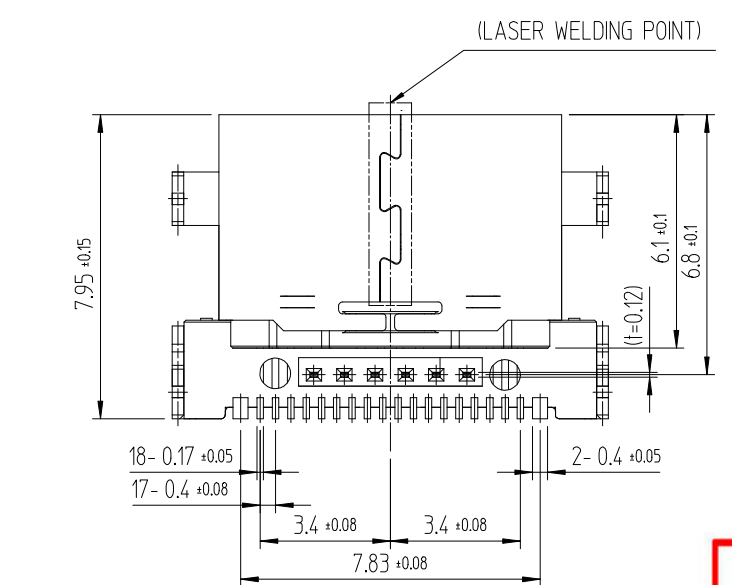
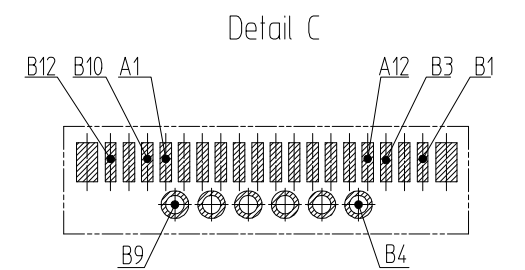
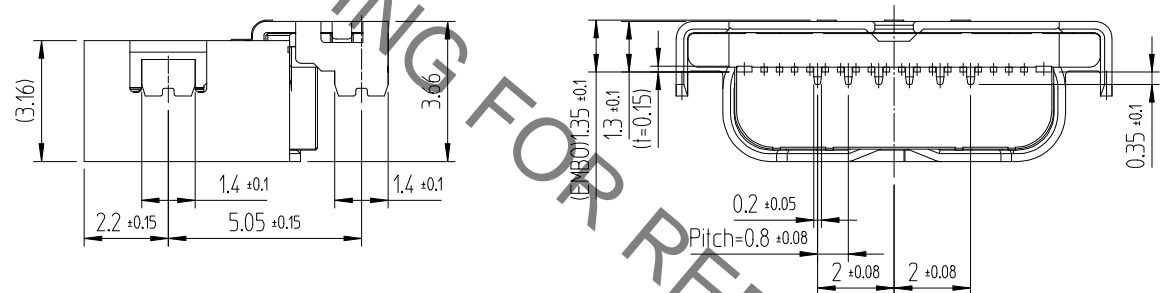
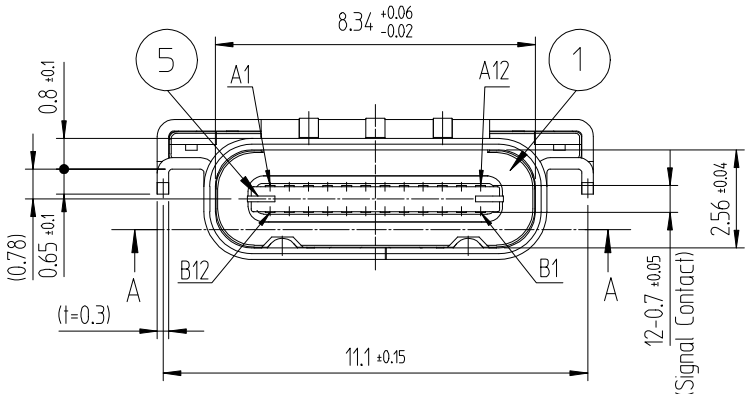
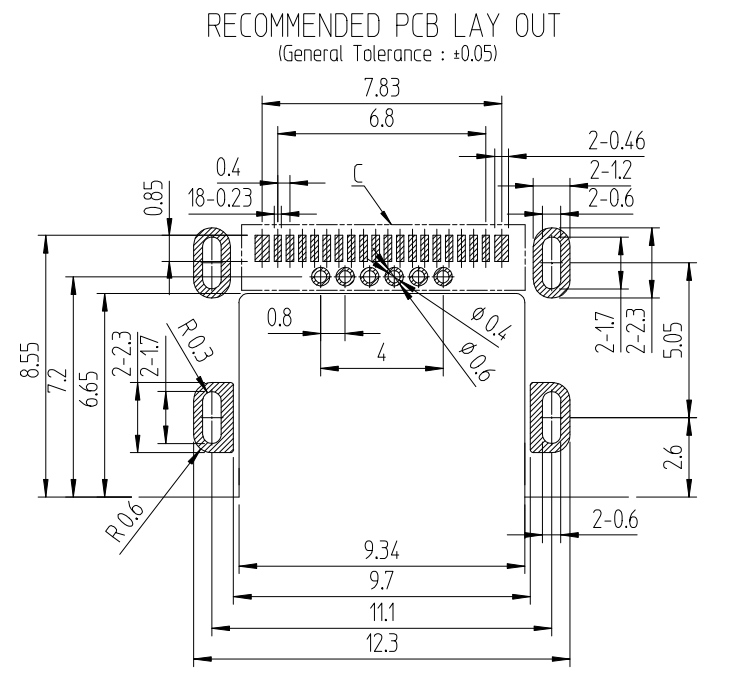
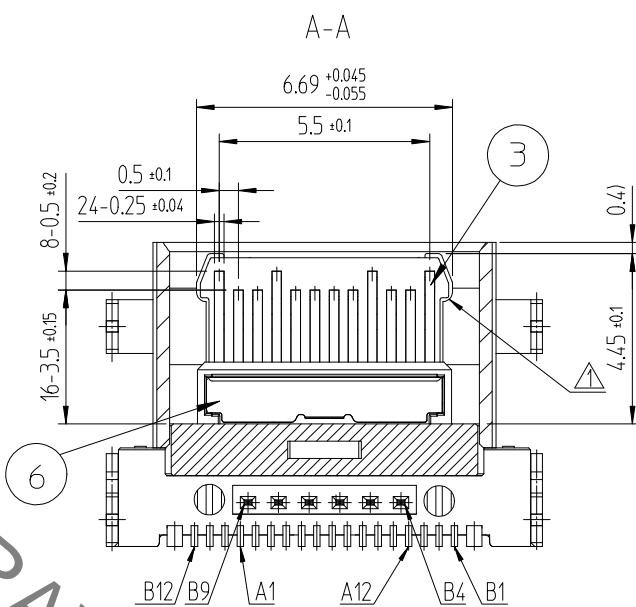
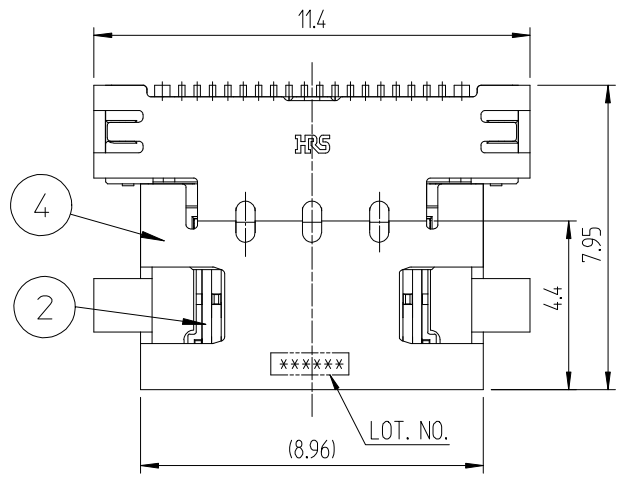


Oct.1.2019 Copyright 2019 HIROSE ELECTRIC CO., LTD. All Rights Reserved.  
 In case of consideration for using Automotive equipment / device which demand high reliability, kindly contact our sales window correspondents.

△數 COUNT	訂正事項 DISCRPTION OF REVISIONS	擔當 B Y	檢圖 CHKD	年月日 DATE	△數 COUNT	訂正事項 DISCRPTION OF REVISIONS	擔當 B Y	檢圖 CHKD	年月日 DATE
1	[RE-2-0831]	LCE	LHJ	15.12.10					



NOTE) 1. LEAD CO-PLANARITY SHALL BE 0.08MAX.  
 2. PER REEL : 1,500 CONNECTORS.  
 3. GENERAL TOLERANCE : ±0.15

4	STAINLESS STEEL	Ni1-5	8	PS	COVER TAPE
3	COPPER ALLOY	Contact : Ni1-5+Pd-Ni0.75Min+Au0.05Min Lead : Ni1-5+Au0.05Min	7	PS	EMBOSS CARRIER TAPE
2	COPPER ALLOY	Contact : Ni1-5+Pd-Ni0.75Min+Au0.05Min Lead : Ni1-5+Au0.05Min	6	STAINLESS STEEL	Ni1-5
1	LCP	UL94V-0,COLOR BLACK	5	STAINLESS STEEL	Other Ni1-5 / LEAD Ni1-5+Au 0.03Min
NO.	MATERIAL	FINISH,REMARKS	NO.	MATERIAL	FINISH,REMARKS

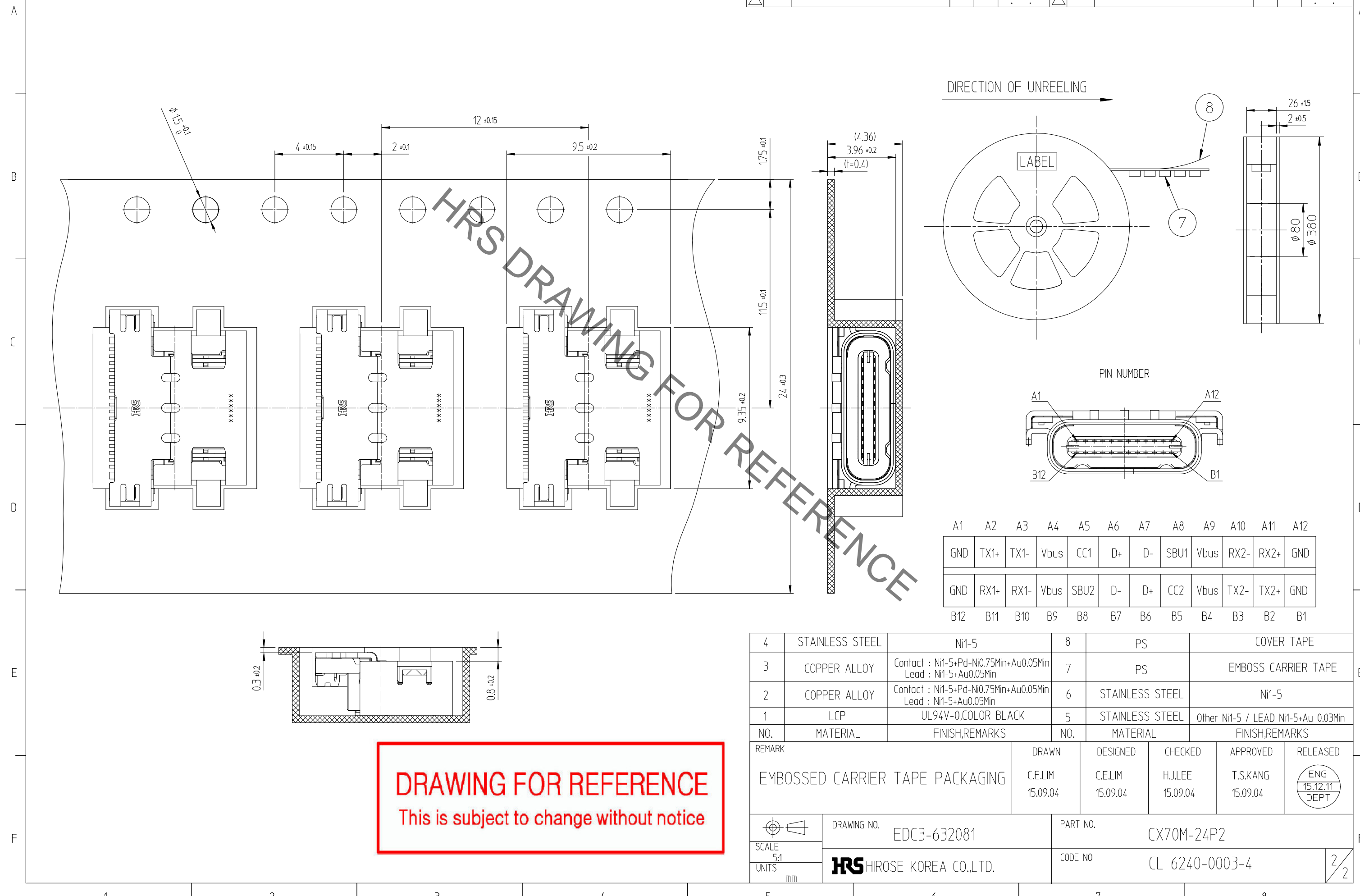
REMARK	DRAWN	DESIGNED	CHECKED	APPROVED	RELEASED
	C.E.LIM 15.09.04	C.E.LIM 15.09.04	H.J.LEE 15.09.04	T.S.KANG 15.09.04	ENG 15.12.11 DEPT

 SCALE 5:1 UNITS mm	DRAWING NO. EDC3-632081  <b>HRS</b> HIROSE KOREA CO.,LTD.	PART NO. CX70M-24P2  CODE NO CL 6240-0003-4	1/2
---------------------------------	--	---	-----

**DRAWING FOR REFERENCE**  
 This is subject to change without notice

Oct.1.2019 Copyright 2019 HIROSE ELECTRIC CO., LTD. All Rights Reserved.  
In case of consideration for using Automotive equipment / device which demand high reliability, kindly contact our sales window correspondents.

△數 COUNT	訂正事項 DISCRIPTION OF REVISIONS	擔當 B	檢圖 CHKD	年月日 DATE	△數 COUNT	訂正事項 DISCRIPTION OF REVISIONS	擔當 B	檢圖 CHKD	年月日 DATE
△				. .	△				. .
△				. .	△				. .
△				. .	△				. .



**DRAWING FOR REFERENCE**  
This is subject to change without notice

A1	A2	A3	A4	A5	A6	A7	A8	A9	A10	A11	A12
GND	TX1+	TX1-	Vbus	CC1	D+	D-	SBU1	Vbus	RX2-	RX2+	GND
GND	RX1+	RX1-	Vbus	SBU2	D-	D+	CC2	Vbus	TX2-	TX2+	GND
B12	B11	B10	B9	B8	B7	B6	B5	B4	B3	B2	B1

4	STAINLESS STEEL	Ni1-5	8	PS	COVER TAPE		
3	COPPER ALLOY	Contact : Ni1-5+Pd-Ni0.75Min+Au0.05Min Lead : Ni1-5+Au0.05Min	7	PS	EMBOSS CARRIER TAPE		
2	COPPER ALLOY	Contact : Ni1-5+Pd-Ni0.75Min+Au0.05Min Lead : Ni1-5+Au0.05Min	6	STAINLESS STEEL	Ni1-5		
1	LCP	UL94V-0,COLOR BLACK	5	STAINLESS STEEL	Other Ni1-5 / LEAD Ni1-5+Au 0.03Min		
NO.	MATERIAL	FINISH,REMARKS	NO.	MATERIAL	FINISH,REMARKS		
REMARK			DRAWN	DESIGNED	CHECKED	APPROVED	RELEASED
EMBOSS CARRIER TAPE PACKAGING			C.E.LIM 15.09.04	C.E.LIM 15.09.04	H.J.LEE 15.09.04	T.SKANG 15.09.04	ENG 15.12.11 DEPT
DRAWING NO. EDC3-632081			PART NO. CX70M-24P2				
SCALE 5:1 UNITS mm			CODE NO. CL 6240-0003-4		2/2		
HRS HIROSE KOREA CO.,LTD.							