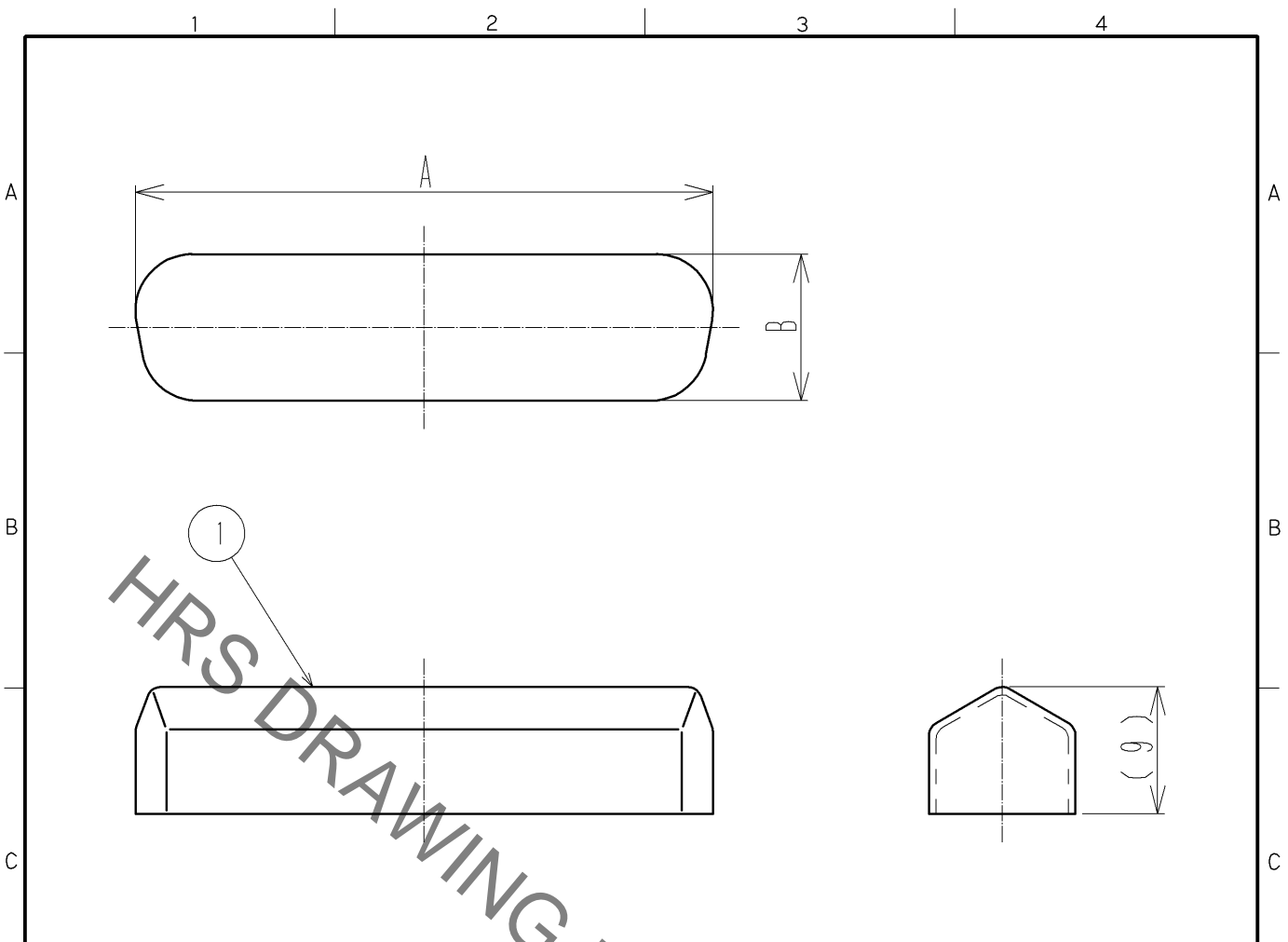


Oct.1.2019 Copyright 2019 HIROSE ELECTRIC CO., LTD. All Rights Reserved.
 In case of consideration for using Automotive equipment / device which demand high reliability, kindly contact our sales window correspondents.



	CL No.	CONTACTS	PART No.	A	B
P	211-0777-7	9	DE-9P-DC1	18.7	10.2
	211-0778-0	15	DA-15P-DC1	27.0	10.2
	211-0779-2	25	DB-25P-DC1	41.0	10.4
	211-0780-1	37	DC-37P-DC1	57.7	10.6
	211-0781-4	50	DD-50P-DC1	55.0	13.3
S	211-0782-7	9	DE-9S-DC1	17.4	8.8
	211-0783-0	15	DA-15S-DC1	25.6	8.8
	211-0784-2	25	DB-25S-DC1	39.3	8.8
	211-0785-5	37	DC-37S-DC1	55.8	8.8
	211-0786-8	50	DD-50S-DC1	53.4	11.6

NOTE. 1. DIMENSIONS ARE FOR REFERENCE.
 2. DUST CAP FOR MALE CONNECTOR IS NOT APPLICABLE TO THE CONNECTOR WITH LOCK METAL (LN).

1	POLYVINYLCHLORIDE	(BLUE)UL94V-2
NO.	MATERIAL	FINISH, REMARKS

UNITS mm		SCALE FREE	COUNT 	DESCRIPTION OF REVISIONS	DESIGNED	CHECKED	DATE
-------------	--	---------------	-----------	--------------------------	----------	---------	------

HIROSE ELECTRIC CO., LTD.	APPROVED :SR. KIKUTA	07. 11. 20	DRAWING NO.	EDC4-126646-00
	CHECKED :YH. ENAMI	07. 11. 20	PART NO.	D*-*-DC1
	DESIGNED :MT. ITANO	07. 11. 20	CODE NO.	
	DRAWN :MT. ITANO	07. 11. 20		