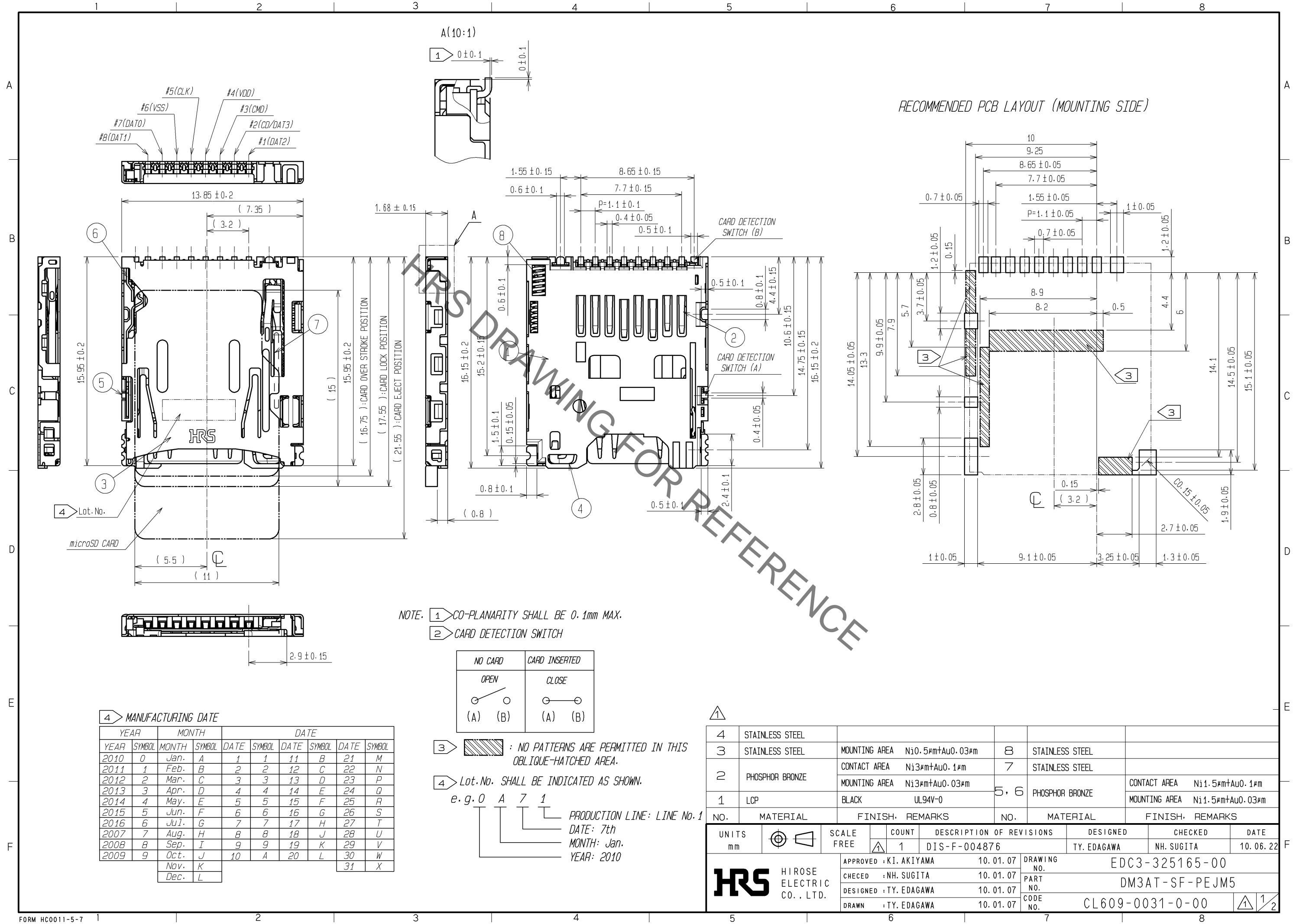


Sep.1.2019 Copyright 2019 HIROSE ELECTRIC CO., LTD. All Rights Reserved.  
In case of consideration for using Automotive equipment / device which demand high reliability, kindly contact our sales window correspondents.



NO.	MATERIAL	FINISH	REMARKS	NO.	MATERIAL	FINISH	REMARKS
4	STAINLESS STEEL			8	STAINLESS STEEL		
3	STAINLESS STEEL		MOUNTING AREA Ni0.5#m+Au0.03#m	7	STAINLESS STEEL		
2	PHOSPHOR BRONZE		CONTACT AREA Ni3#m+Au0.1#m	5, 6	PHOSPHOR BRONZE		CONTACT AREA Ni1.5#m+Au0.1#m
1	LCP	BLACK	UL94V-0				MOUNTING AREA Ni1.5#m+Au0.03#m

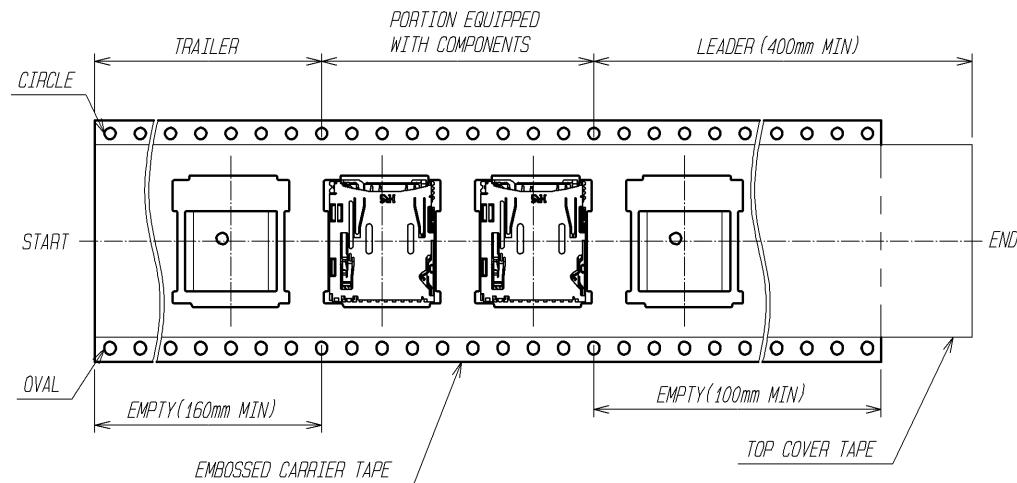
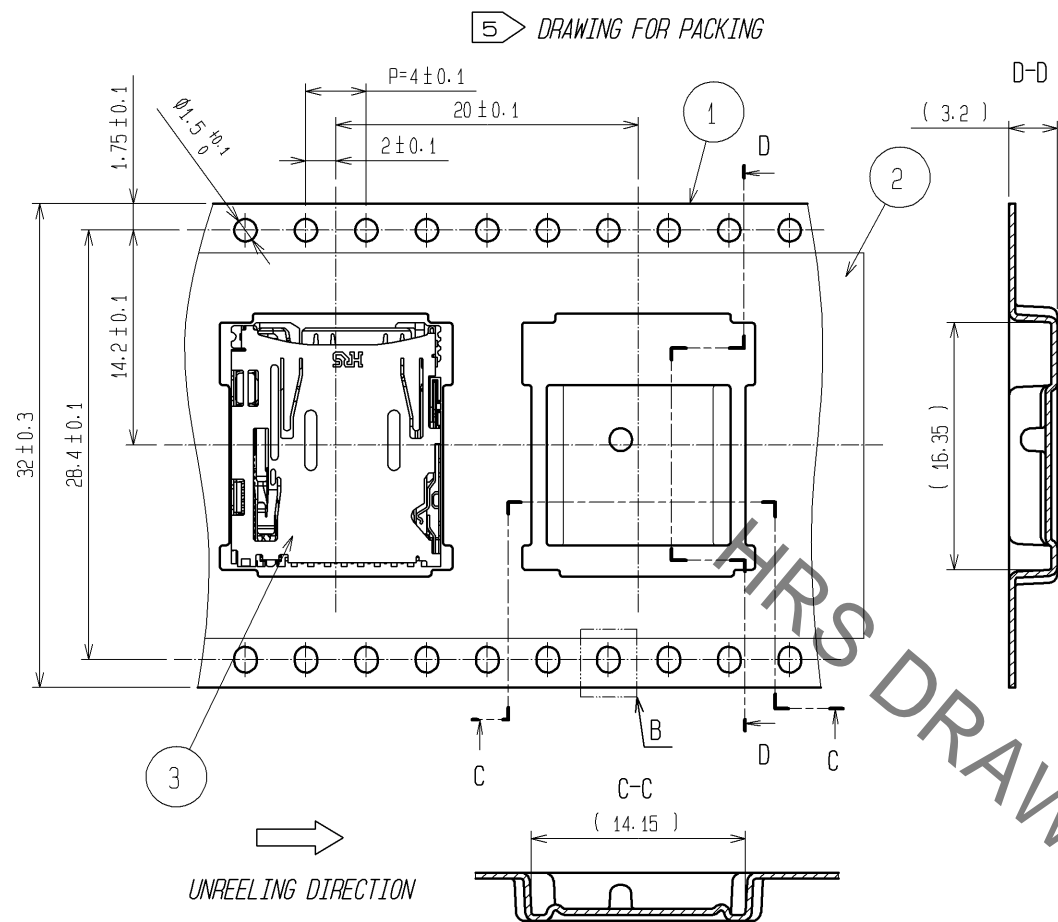
  

UNITS	SCALE	COUNT	DESCRIPTION OF REVISIONS	DESIGNED	CHECKED	DATE
mm	FREE	1	DIS-F-004876	TY. EDAGAWA	NH. SUGITA	10.06.22

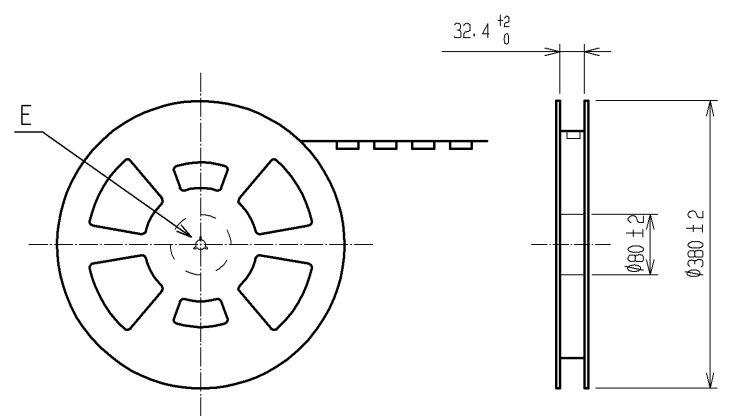
  

APPROVED	DATE	DRAWING NO.	PART NO.	CODE NO.
KI. AKIYAMA	10.01.07	EDC3-325165-00	DM3AT-SF-PEJM5	CL609-0031-0-00
NH. SUGITA	10.01.07			
TY. EDAGAWA	10.01.07			
TY. EDAGAWA	10.01.07			

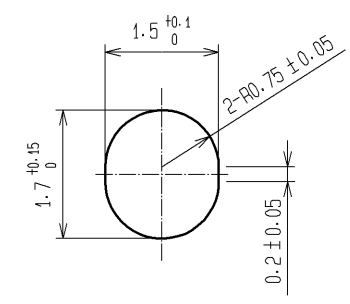
Sep.1.2019 Copyright 2019 HIROSE ELECTRIC CO., LTD. All Rights Reserved.  
 In case of consideration for using Automotive equipment / device which demand high reliability, kindly contact our sales window correspondents.



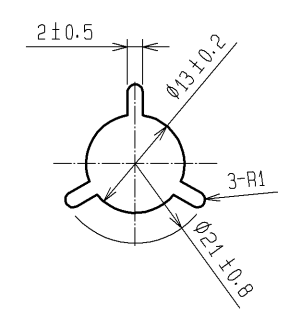
DETAIL OF REEL (1:10)



B(10:1)



E(1:1)



NOTE. 5 DRAWING FOR PACKING TYPE: TAPE AND REEL. 1500PCS PER REEL.  
 6 PLEASE REFER TO TECHNICAL SPECIFICATION : ETAD-F0345  
 \*DM3AT SERIES PRODUCT INFORMATION AND HANDLING INSTRUCTIONS\*  
 FOR THE HANDLING OF THE PRODUCT.

NO.	MATERIAL	FINISH	REMARKS
3	(CONNECTORS)		
2	POLYESTER		
1	PS		

UNITS	SCALE	COUNT	DESCRIPTION OF REVISIONS	DESIGNED	CHECKED	DATE
mm	2:1	1	DIS-F-004876	TY. EDAGAWA	NH. SUGITA	10.06.22
APPROVED : KI. AKIYAMA			10.01.07	DRAWING NO. EDC3-325165-00		
CHECKED : NH. SUGITA			10.01.07	PART NO. DM3AT-SF-PEJM5		
DESIGNED : TY. EDAGAWA			10.01.07	CODE NO. CL609-0031-0-00		
DRAWN : TY. EDAGAWA			10.01.07	1/2		