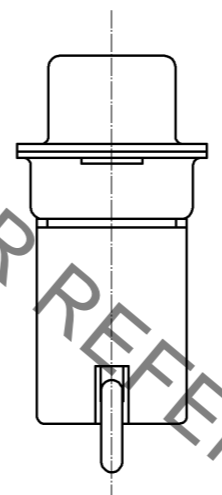
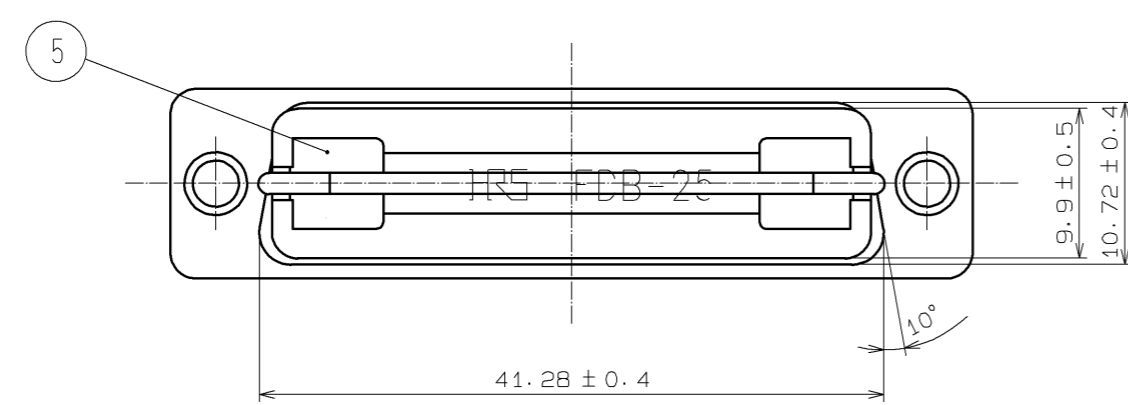
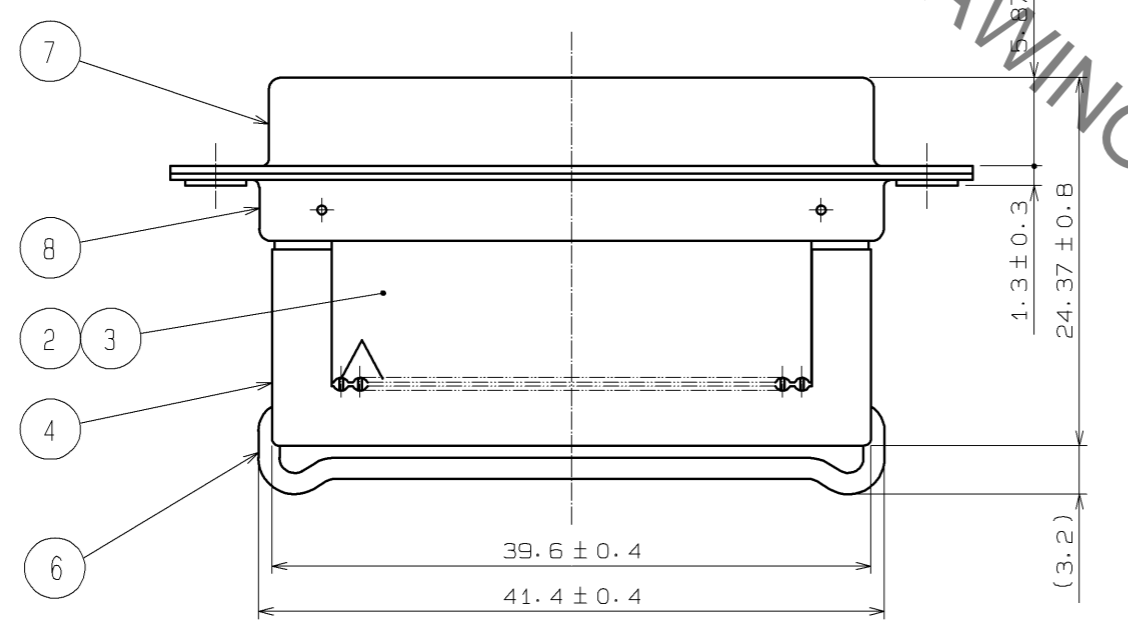
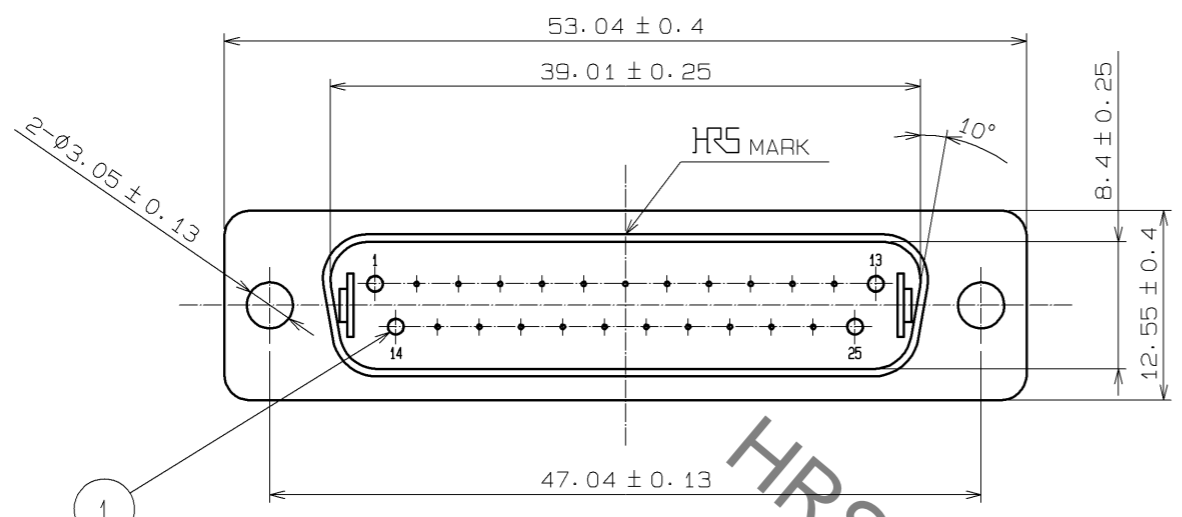


Oct.1.2019 Copyright 2019 HIROSE ELECTRIC CO., LTD. All Rights Reserved.  
 In case of consideration for using Automotive equipment / device which demand high reliability, kindly contact our sales window correspondents.



HRS DRAWING FOR REFERENCE

NOTE 1. COMPONENTS OF REF. NO. ④, ⑤ AND ⑥ ARE APPENDED PRODUCTS.

NO.	MATERIAL	FINISH . REMARKS	NO.	MATERIAL	FINISH . REMARKS
4	PBT	BLACK UL94V-0	8	STEEL	NICKEL PLATING 1 μm MIN
3	PBT	BLACK UL94V-0	7	STEEL	NICKEL PLATING 1 μm MIN
2	PBT	BLACK UL94V-0	6	STEEL	NICKEL PLATING 4 μm MIN
1	BERYLLIUM COPPER	GOLD PLATING 0.2 μm MIN	5	STAINLESS STEEL	

UNITS	SCALE	COUNT	DESCRIPTION OF REVISIONS	DESIGNED	CHECKED	DATE
mm	2 : 1	△				
HIROSE ELECTRIC CO., LTD.			APPROVED : YH. ENAMI 08.09.25 CHECKED : HO. MIWA 08.09.25 DESIGNED : KI. NAGANUMA 08.09.22 DRAWN : KI. NAGANUMA 08.09.22	DRAWING NO. EDC3-008511-01 PART NO. FDB-25P(C05) CODE NO. CL211-0135-0-05		