

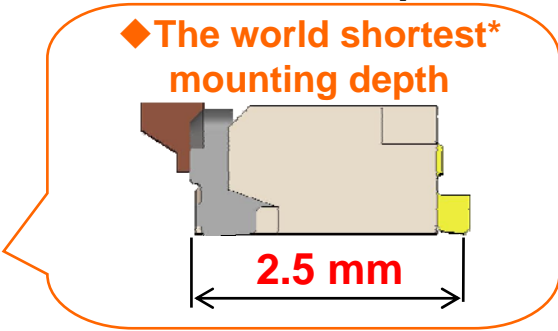
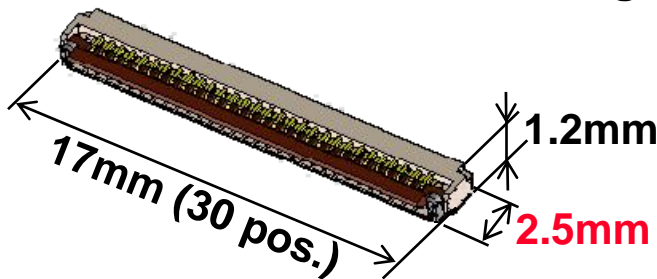
0.5 mm Pitch, 1.2 mm Height, Single-sided Lead,
Bottom Contact Connector for FPC / FFC

Short mounting
depth: **2.5 mm**



◆ Features

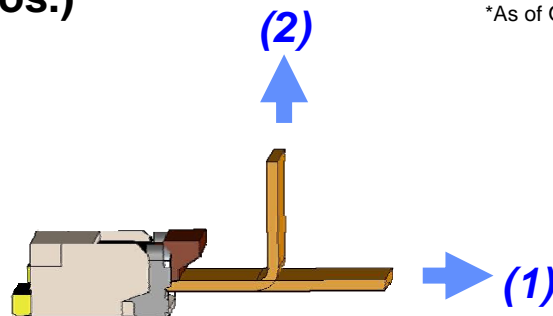
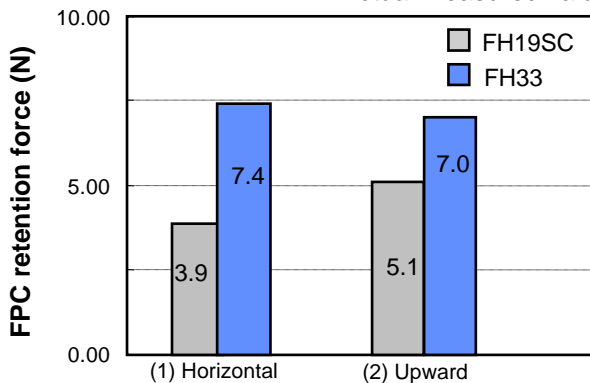
1. The world's smallest mounting area with minimized depth



*As of Oct, 2006

2. High FPC retention force (14 pos.)

<Actual measured value>



(1) Approx. **1.9** times stronger

(2) Approx. **1.4** times stronger

3. Board area under the connector is available for PCB patterning

4. User-friendly actuator operation with unique contact design

- Actuator widely opens and stays open at 120°

➡ Easy FPC insertion

- Actuator rotation creates a clear tactile and audible click

➡ Incomplete lock prevention

5. Suitable for FPC/FFC with mating area thickness: **0.3±0.05 mm**
(Industry standard thickness)

Remarks

- Reflow Temperature of 250 °C
- Contact HRS for contact plating options and for varieties of contact positions.

Specifications herein are subject to change without notice. Contact Hirose for latest specifications, drawings or availabilities.