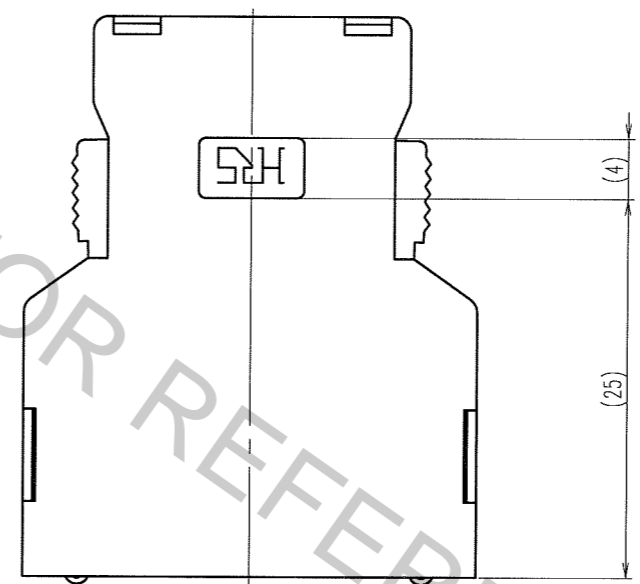
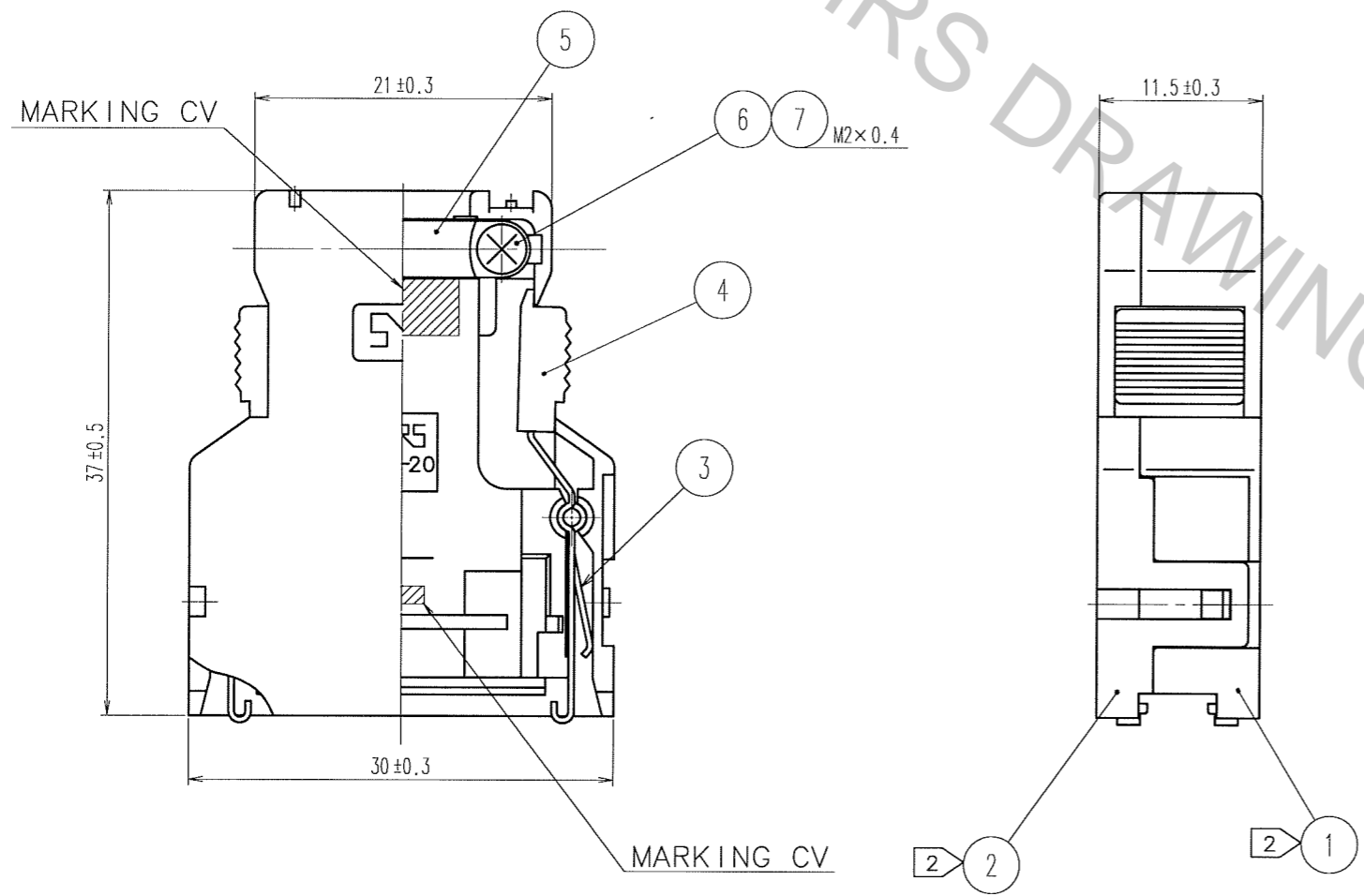
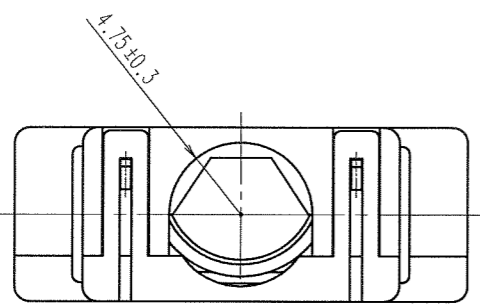


Mar.1.2018 Copyright 2018 HIROSE ELECTRIC CO., LTD. All Rights Reserved.

COUNT	DESCRIPTION OF REVISIONS	BY	CHKD	DATE	COUNT	DESCRIPTION OF REVISIONS	BY	CHKD	DATE
△				..	△				..
△				..	△				..
△				..	△				..



NOTE 1 THE OUT SIDE OF CASE SHALL BE MATTE FINISH WITH TH-117 ON EQUIVALENT, TANAZAWA HAKKOSHA CO., LTD. EXCEPT AROUND THE DITCH OF HRS MARK.

② COMPONENTS OF REF ① AND ② ARE DELIVERED DISASSEMBLED

3 THE DIMENSIONS IN PARENTHESES ARE FOR REFERENCE.

4 APPLICABLE CABLE WIRE DIAMETER SHALL BE $\phi 8.5 \pm 0.5$.

4	POLYCARBONATE	(GRAY)	UL94V-0										
3	STAINLESS STEEL			7	BRASS				NICKEL PLATED				
2	POLYCARBONATE	(GRAY)	UL94V-0	6	BRASS				NICKEL PLATED				
1	POLYCARBONATE	(GRAY)	UL94V-0	5	STAINLESS STEEL								
NO.	MATERIAL	FINISH, REMARKS		NO.	MATERIAL	FINISH, REMARKS							
CODE NO. (OLD)				DRAWN		DESIGNED		CHECKED		APPROVED		RELEASED	
				Y. Sato		T. Toriguchi		Y. Enami		A. Miwa			
				05.10.13		05.10.13		05.10.13		05.10.13			
SCALE		DRAWING NO.				PART NO.							
2 : 1		EDC3-040857-01				F1-20-CV(60)							
UNITS		HRS HIROSE ELECTRIC CO., LTD				CODE NO.							
mm						CL230-0501-4-60							
						1/1							

TO
Q1