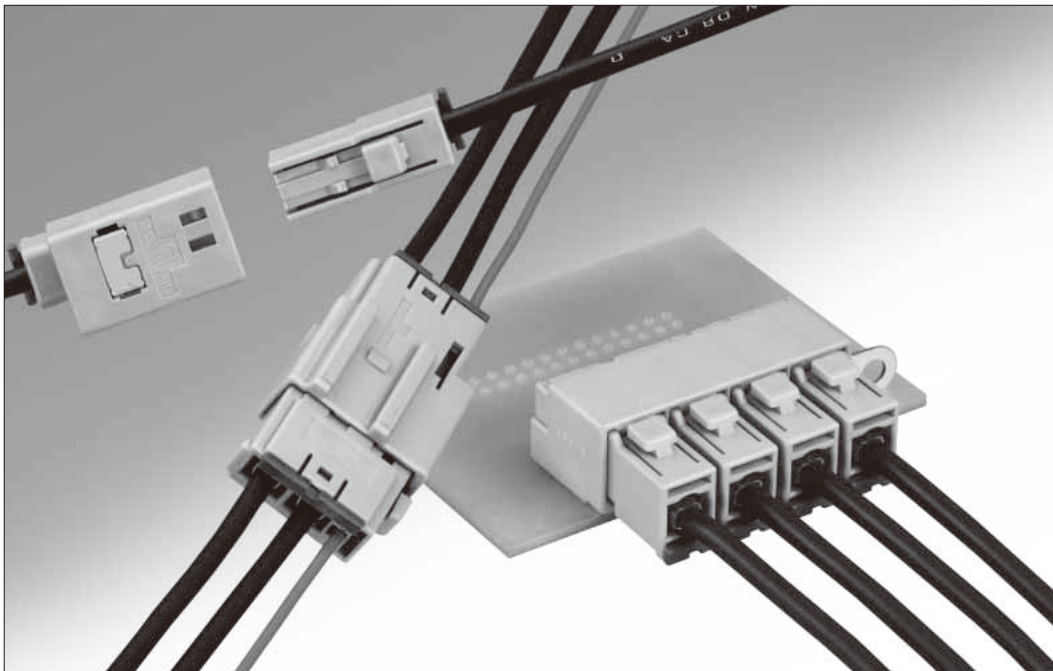


Shielded connectors using twin crimp technology for in-vehicle application

GT13 Series

– Space-saving connectors for coaxial cables –

<In-line and PCB type.>



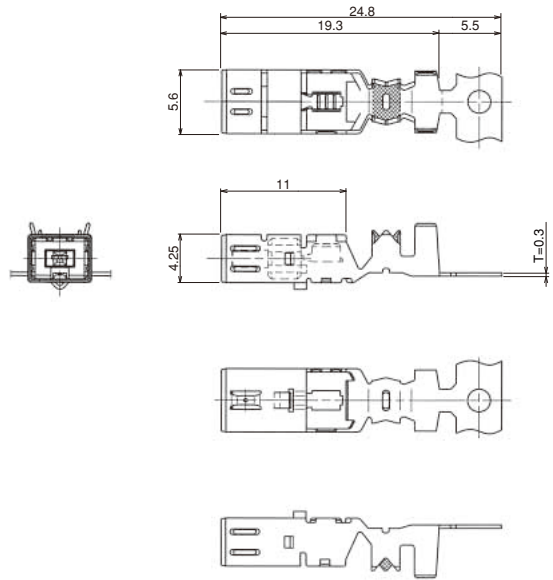
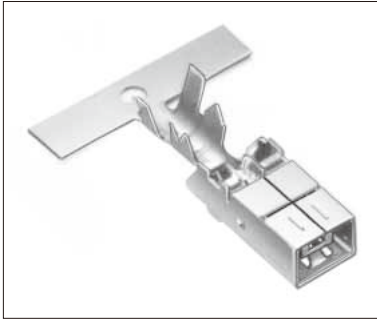
■ Features

- **Low cost cable assembly**
Highly efficient and reliable one step crimp termination allows high volume production with semi-automatic equipment.
- **Space-saving design**
Compact and light comparing to HRS GT5 series.

■ Applications

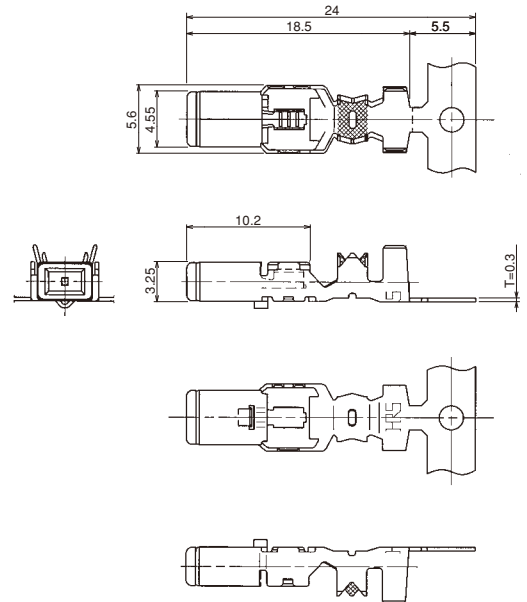
automotive audio systems.

F Terminals



Part No.	HRS No.	Material/Plating or Color	Conductor Size (AWG)	Inner Insulation Diameter	Outer Diameter	Packaging	RoHS
GT13-2428/1.6-2.9SCF(70)	763-0001-3 70	Insulator : PBT/Dark Gray Center terminal : Copper alloy /Tin plating Outer terminal : Copper alloy /Tin plating	24 to 28 AWG	φ1.5 to 2.0	φ2.7 to 3.4	3,000 pcs /reel	YES
GT13-30/1.6-2.9SCF(70)	763-0012-0 70		30 AWG		φ2.3 to 2.7		
GT13-2428/1.6-2.5SCF(70)	763-0042-0 70		24 to 28 AWG	φ3.0 to 3.6	φ4.6 to 5.0	2,200 pcs /reel	
GT13-2428/F4-5SCF(70)	763-0051-1 70		30 AWG		φ3.6 to 4.0		
GT13-30/F4-5SCF(70)	763-0067-1 70		20 to 22 AWG	φ3.0 to 3.6	φ4.6 to 5.0		
GT13-30/F3.3-3.8SCF(70)	763-0052-4 70						
GT13-2022/F4-5SCF(70)	763-0068-4 70						

M Terminals

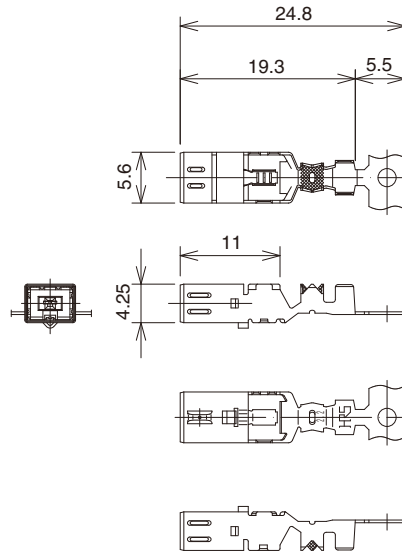
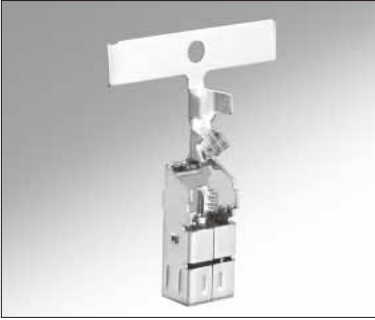


Part No.	HRS No.	Material/Plating or Color	Conductor Size (AWG)	Inner Insulation Diameter	Outer Diameter	Packaging	RoHS
GT13-2428/1.6-2.9PCF(70)	763-0002-6 70	Insulator : PBT/Dark Gray Center terminal : Copper alloy /Tin plating Outer terminal : Copper alloy /Tin plating	24 to 28 AWG	φ1.5 to 2.0	φ2.7 to 3.4	4,000 pcs /reel	YES
GT13-30/1.6-2.9PCF(70)	763-0041-8 70		30 AWG		φ2.3 to 2.7		
GT13-2428/1.6-2.5PCF(70)	763-0069-7 70		24 to 28 AWG	φ3.0 to 3.6	φ4.6 to 5.0	2,200 pcs /reel	
GT13-2428/F4-5PCF(70)	763-0054-0 70		30 AWG		φ3.6 to 4.0		
GT13-30/F4-5PCF(70)	763-0066-9 70		24 to 28 AWG	φ3.0 to 3.6	φ4.6 to 5.0		
GT13-30/F3.3-3.8PCF(70)	763-0053-7 70						
GT13-2428/F3.3-3.8PCF(70)	763-0079-0 70						
GT13-2022/F4-5PCF(70)	763-0070-6 70						

For Antenna

- GT5
- GT13
- GT16
- PO5G
- GT19
- GT21
- GT26
- GT36
- GT111
- GT17
- GT32
- GT3
- GT7
- GT10
- GT18W
- GT25
- GT8E
- GT9
- GT15

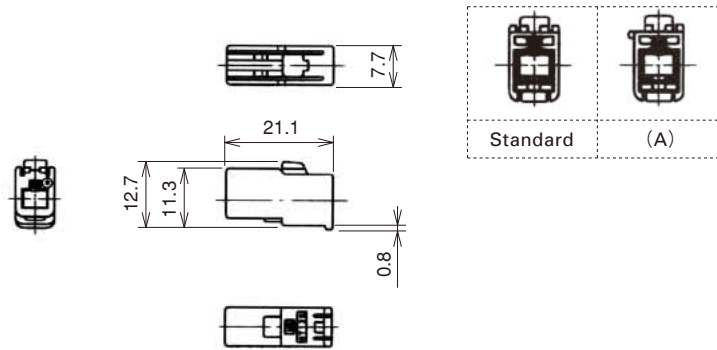
Low insertion F Terminals



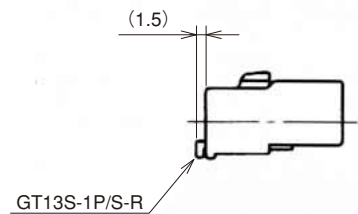
Part No.	HRS No.	Material/Plating or Color	Conductor Size (AWG)	Inner Insulation Diameter	Outer Diameter	Packaging	RoHS
GT13L-2428/1.1-2.2SCF	763-0115-2 00	Insulator : PBT/Dark Gray Center terminal : Copper alloy/ Tin plating Outer terminal : Copper alloy/ Tin plating	24 to 28 AWG	φ1.0 to 1.4	φ2.0 to 2.4	3,000 pcs/reel	YES

13S Series

F Housing (1 coaxial)



◆ Retainer assembled

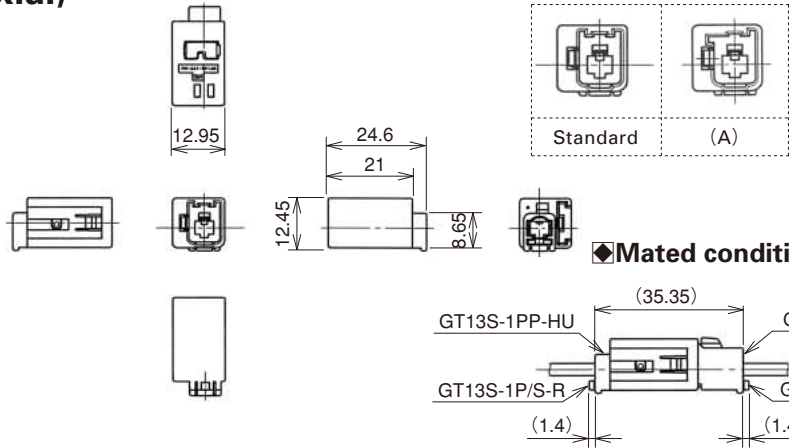


Part No.	HRS No.	Material	Color	Key polarizing code	Packaging	RoHS
GT13S-1S-HU	763-0024-9 00	PBT	Light Gray	Standard	1	YES
GT13S-1S-HU(A)	763-0025-1 00		Brown	(A)		

May.1.2017 Copyright 2017 HIROSE ELECTRIC CO., LTD. All Rights Reserved. For Antenna

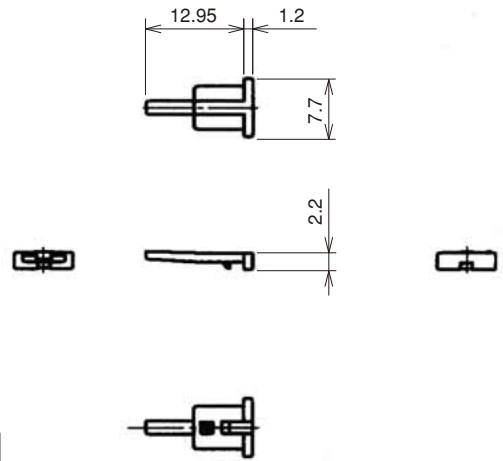
- GT5
- GT13
- GT16
- PO5G
- GT19
- GT21
- GT26
- GT36
- GT11
- GT17
- GT32
- GT3
- GT7
- GT10
- GT18W
- GT25
- GT8E
- GT9
- GT15

M Housing (1 coaxial)



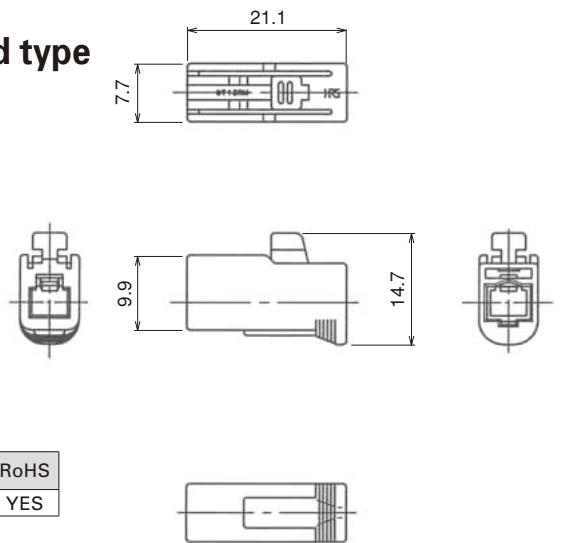
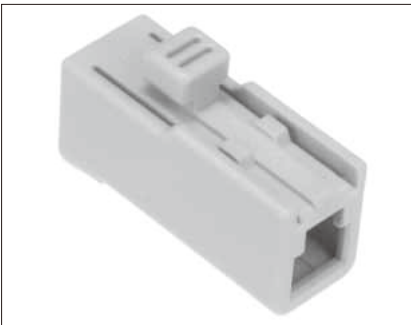
Part No.	HRS No.	Material/Plating	Color	Key polarizing code	Packaging	RoHS
GT13S-1PP-HU	763-0030-1 00	Housing : PBT	Light Gray	Standard	1	YES
GT13S-1PP-HU(A)	763-0031-4 00	Ground terminal : Copper alloy/Tin plating	Brown	(A)		

Retainer



Part No.	HRS No.	Material	Color	Packaging	RoHS
GT13S-1P/S-R	763-0033-0 00	PBT	Dark Gray	1	YES

F Housing (1 coaxial) No retainer required type

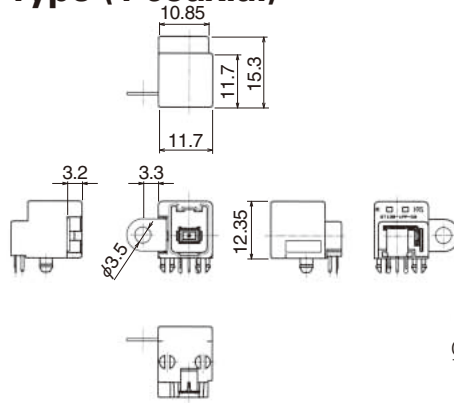


Part No.	HRS No.	Material	Color	Packaging	RoHS
GT13RM-1S-HU	763-0099-8 00	PBT	Light Gray	1	YES

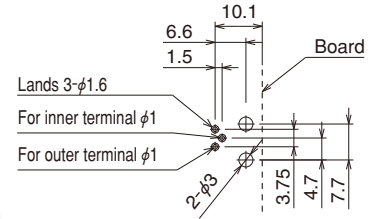
For Antenna

GT5
GT13
GT16
PO5G
GT19
GT21
GT26
GT36
GT11
GT17
GT32
GT3
GT7
GT10
GT18W
GT25
GT8E
GT9
GT15

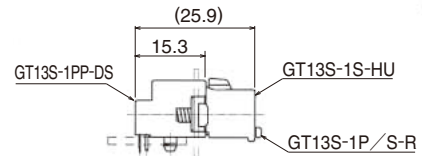
Printed Circuit Board Type (1 coaxial)



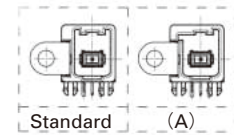
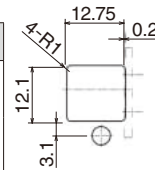
Recommended PCB pattern



Mated condition



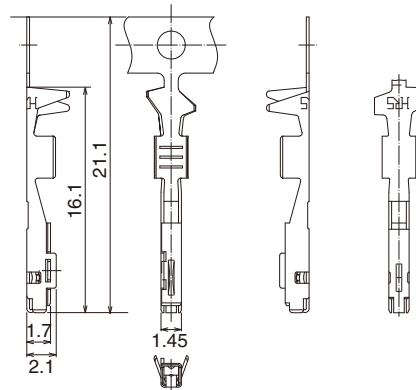
Recommended panel cutout dimension



Part No.	HRS No.	Material/Plating	Color	Key polarizing code	Packaging	RoHS
GT13S-1PP-DS	763-0027-7 00	Housing: PBT Center terminal: Copper alloy/Tin plating Outer terminal: Copper alloy/Tin plating	Light Gray	Standard	1	YES
GT13S-1PP-DS(A)	763-0028-0 00	Metal bracket: Copper alloy/Tin plating	Brown	(A)		

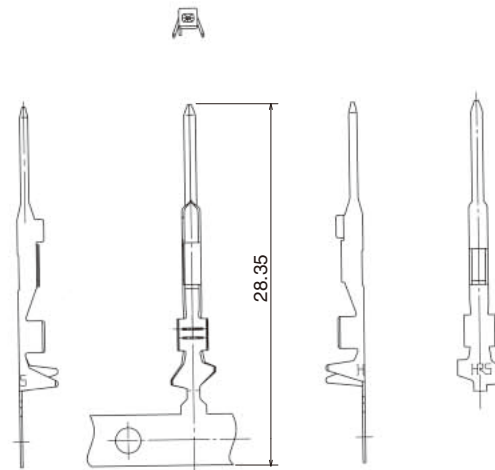
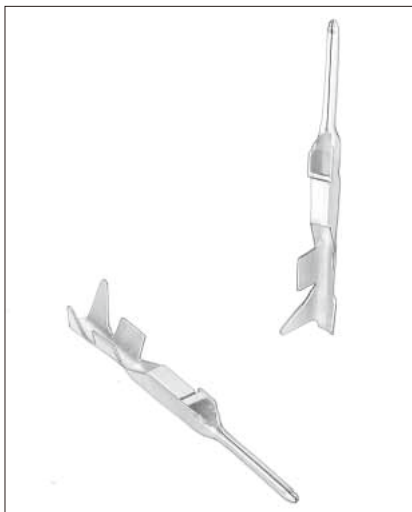
GT13SC Series

F Connector Power Supply Terminal



Part No.	HRS No.	Material	Plating	Conductor Size (AWG)	Outer Diameter	Packaging	RoHS
GT10A-2022SCF	760-0014-6	Copper alloy	Tin plating	20 to 22 AWG	$\phi 2.0$ Max	8,000 pcs/reel	YES

M Connector Power Supply Terminal

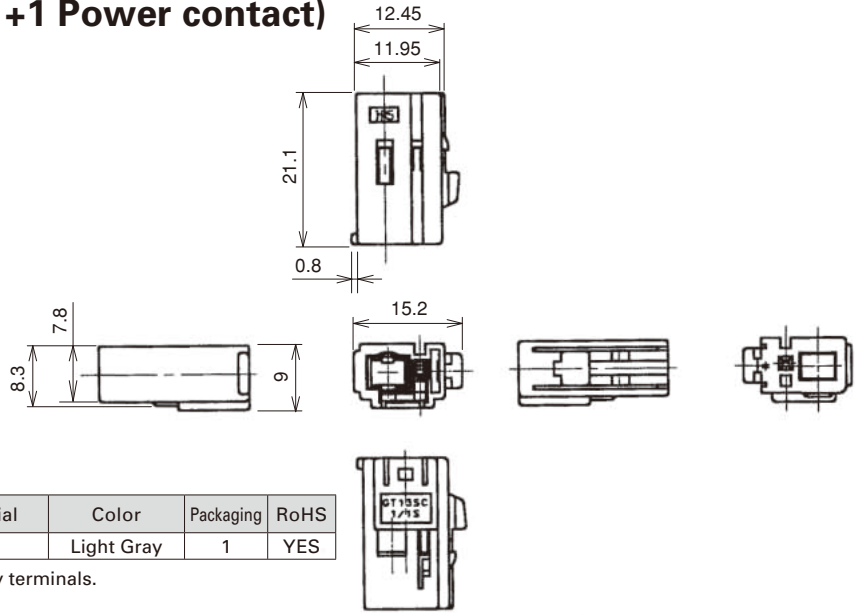
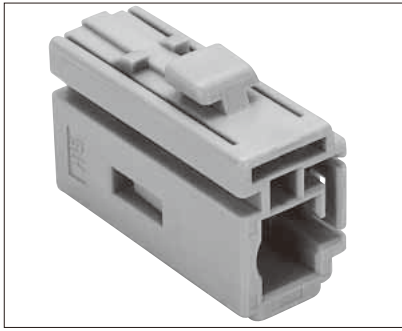


Part No.	HRS No.	Material	Plating	Conductor Size (AWG)	Outer Diameter	Packaging	RoHS
GT10SC-2022PCF	760-0016-1 00	Copper alloy	Tin plating	20 to 22 AWG	$\phi 1.5$ to 2.0	7,000 pcs/reel	YES
GT10A-2022PCF	760-0015-9 00				$\phi 2.0$ Max	10,000 pcs/reel	

May.1.2017 Copyright 2017 HIROSE ELECTRIC CO., LTD. All Rights Reserved. Antenna

- GT5
- GT13
- GT16
- PO5G
- GT19
- GT21
- GT26
- GT36
- GT11
- GT17
- GT32
- GT3
- GT7
- GT10
- GT18W
- GT25
- GT8E
- GT9
- GT15

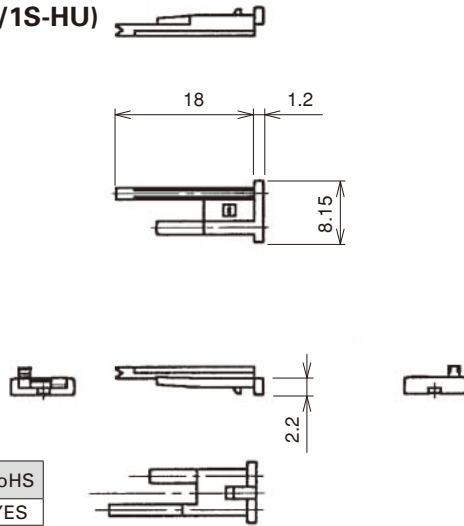
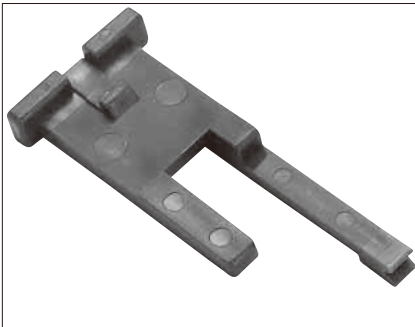
■ F Housing (1 Coaxial +1 Power contact)



Part No.	HRS No.	Material	Color	Packaging	RoHS
GT13SC-1/1S-HU	763-0010-4 00	PBT	Light Gray	1	YES

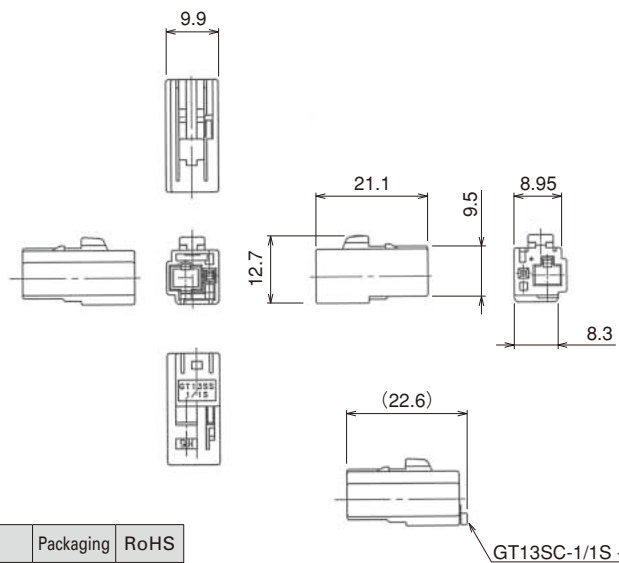
Note : GT10A-2022SCF is used for power supply terminals.

● Retainer (Used with GT13SC-1/1S-HU, GT13SS-1/1S-HU)



Part No.	HRS No.	Material	Color	Packaging	RoHS
GT13SC-1/1S-R	763-0011-7 00	PBT	Dark Gray	1	YES

■ F Housing (1 Coaxial + 1 Power contact)

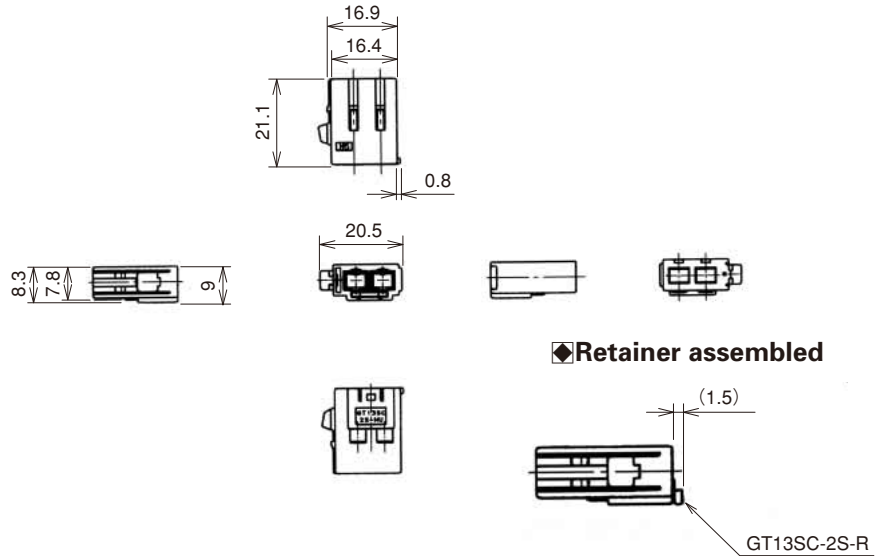


Part No.	HRS No.	Material	Color	Packaging	RoHS
GT13SS-1/1S-HU	763-0093-1 00	PBT	Light Gray	1	YES

Note : GT10A-2022SCF is used for power supply terminals.

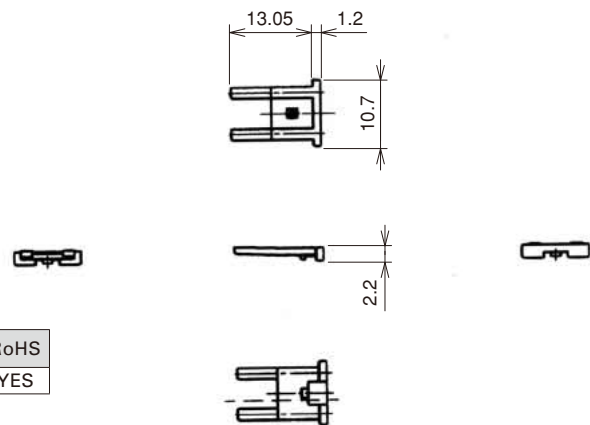
◆ Retainer assembled

■ F Housing (2 coaxials)



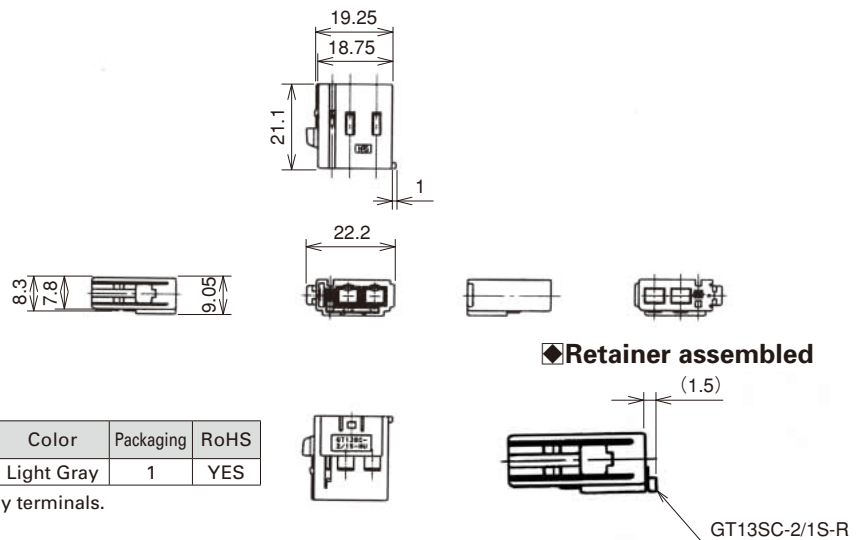
Part No.	HRS No.	Material	Color	Key polarizing code	Packaging	RoHS
GT13SC-2S-HU	763-0014-5 00	PBT	Light Gray	Standard	1	YES

● Retainer (Used with GT13SC-2S-HU,GT13SCN-2PP-HU and GT13SCH-2PP-HU)



Part No.	HRS No.	Material	Color	Packaging	RoHS
GT13SC-2S-R	763-0015-8 00	PBT	Dark Gray	1	YES

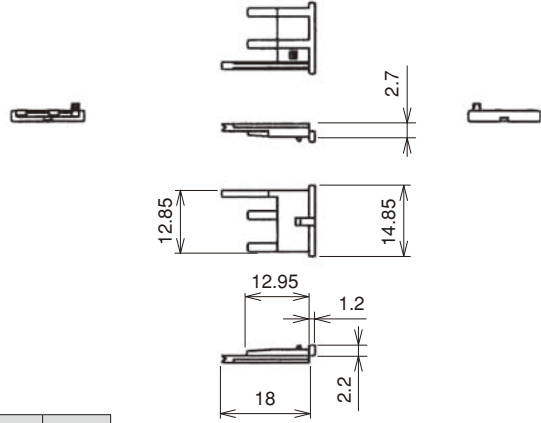
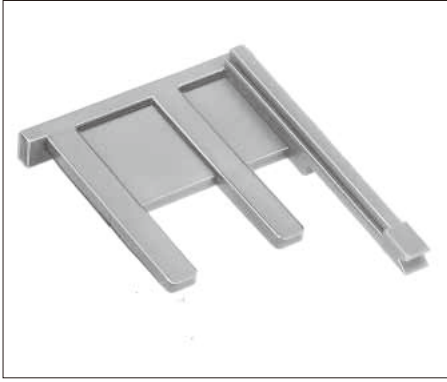
■ F Housing (2 Coaxials + 1 Power contact)



Part No.	HRS No.	Material	Color	Packaging	RoHS
GT13SC-2/1S-HU	763-0016-0 00	PBT	Light Gray	1	YES

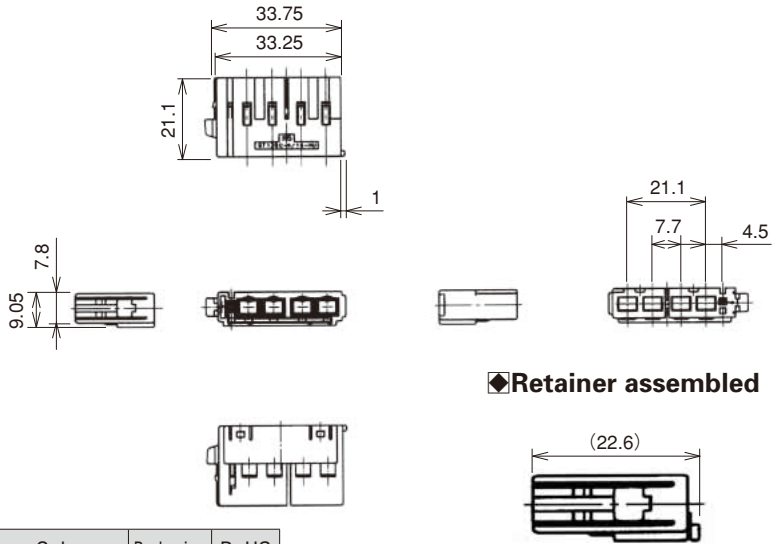
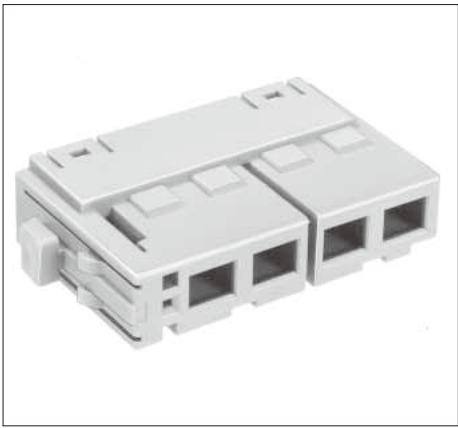
Note : GT10A-2022SCF is used for power supply terminals.

● Retainer (Only for GT13SC-2/1S-HU)



Part No.	HRS No.	Material	Color	Packaging	RoHS
GT13SC-2/1S-R	763-0017-3 00	PBT	Dark Gray	1	YES

■ F Housing (4 Coaxials + 1 Power contact)

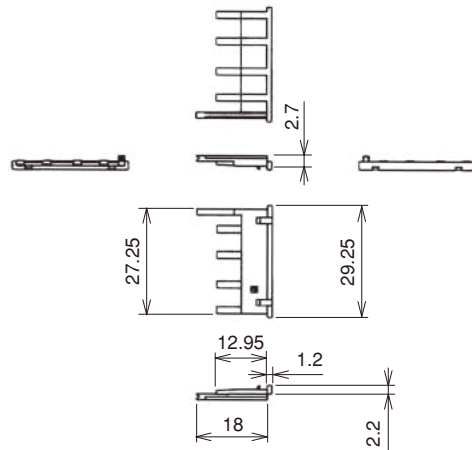
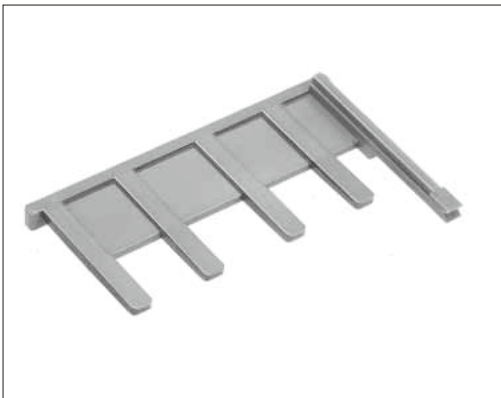


◆ Retainer assembled

Part No.	HRS No.	Material	Color	Packaging	RoHS
GT13SC-4/1S-HU	763-0021-0 00	PBT	Light Gray	1	YES
GT13SC-4/1S-HU(A)	763-0022-3 00		Brown		

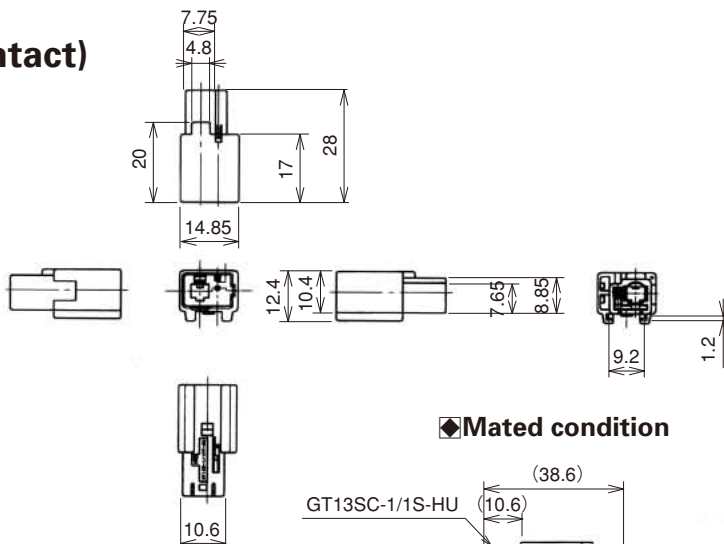
Note : GT10A-2022SCF is used for power supply terminals.

● Retainer (Only for GT13SC-4/1S-R)



Part No.	HRS No.	Material	Color	Packaging	RoHS
GT13SC-4/1S-R	763-0023-6 00	PBT	Dark Gray	1	YES

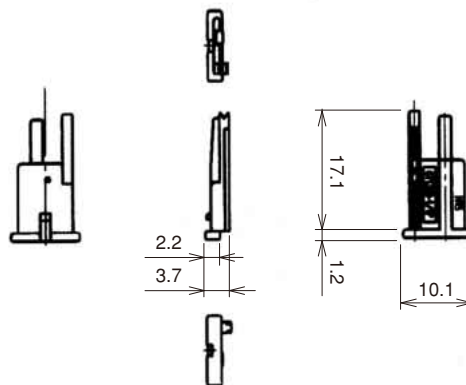
■ M Housing (1 Coaxial + 1 Power contact)



Part No.	HRS No.	Material	Color	Packaging	RoHS
GT13SCN-1/1PP-HU	763-0036-8 00	PBT	Light Gray	1	YES

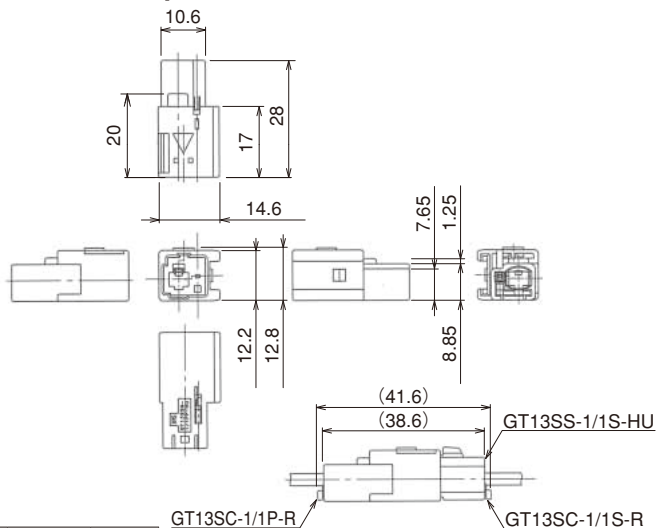
Note : GT10SC-2022PCF or GT10A-2022PCF is used for power supply terminals.

● Retainer



Part No.	HRS No.	Material	Color	Packaging	RoHS
GT13SC-1/1P-R	763-0039-6 00	PBT	Dark Gray	1	YES

■ M Housing (1 Coaxial + 1 Power contact)



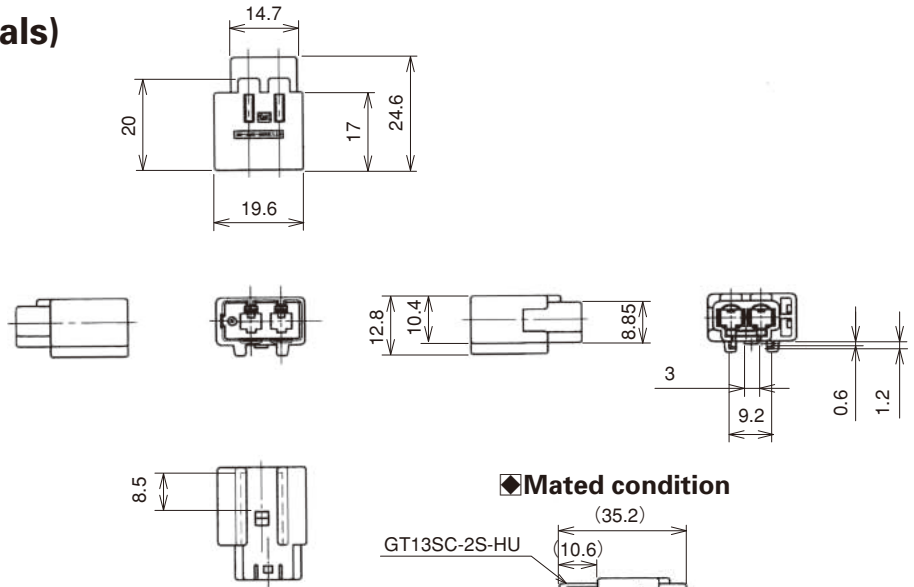
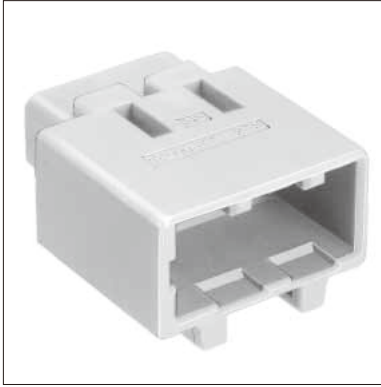
Part No.	HRS No.	Material	Color	Packaging	RoHS
GT13SSN-1/1PP-HU	763-0092-9 00	PBT	Light Gray	1	YES

Note : GT10SC-2022PCF or GT10A-2022PCF is used for power supply terminals.

May.1.2017 Copyright 2017 HIROSE ELECTRIC CO., LTD. All Rights Reserved for Antenna

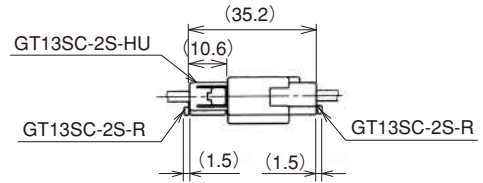
- GT5
- GT13
- GT16
- PO5G
- GT19
- GT21
- GT26
- GT36
- GT11
- GT17
- GT32
- GT3
- GT7
- GT10
- GT18W
- GT25
- GT8E
- GT9
- GT15

■ M Housing (2 coaxials)

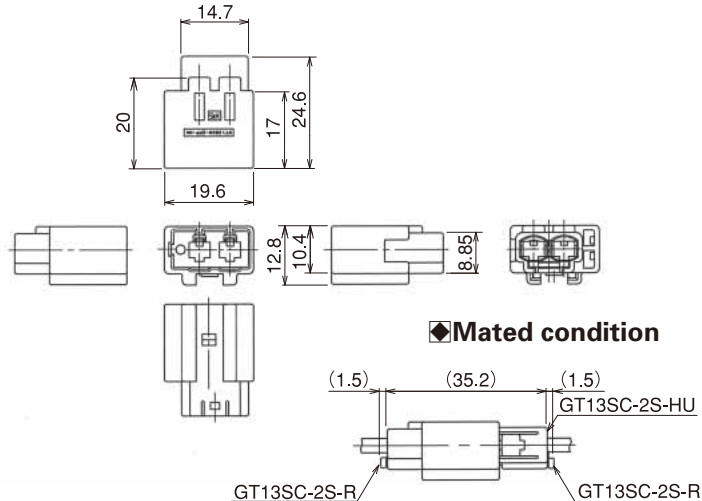


Part No.	HRS No.	Material	Color	Packaging	RoHS
GT13SCN-2PP-HU	763-0046-1 00	PBT	Light Gray	1	YES

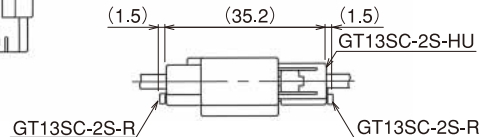
◆ Mated condition



■ M Housing (2 coaxials)

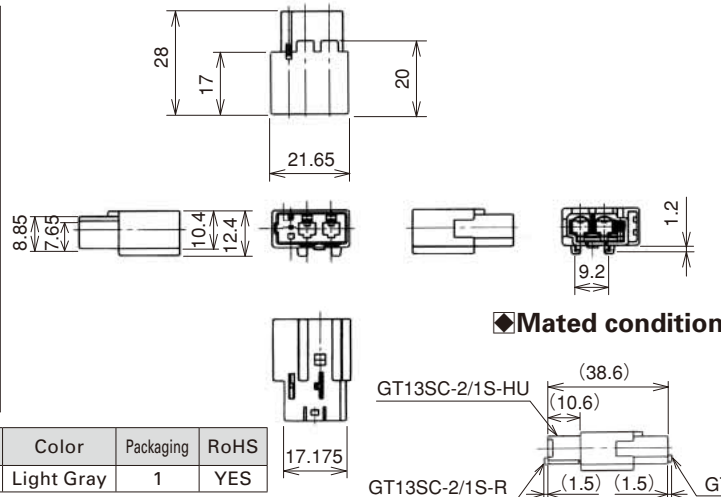


◆ Mated condition

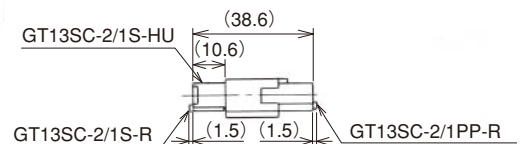


Part No.	HRS No.	Material	Color	Packaging	RoHS
GT13SCH-2PP-HU	763-0072-1 00	PBT	Light Gray	1	YES

■ M Housing (2 Coaxials + 1 Power contact)



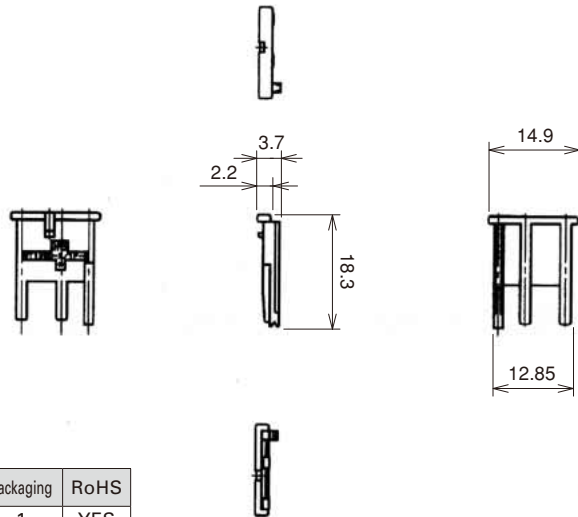
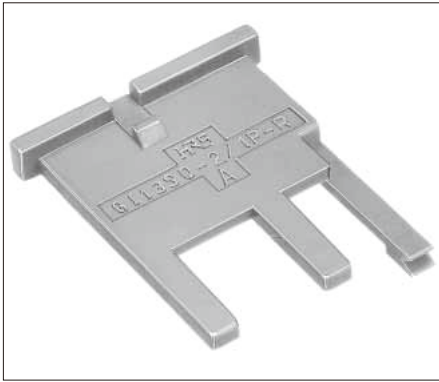
◆ Mated condition



Part No.	HRS No.	Material	Color	Packaging	RoHS
GT13SCN-2/1PP-HU	763-0038-3 00	PBT	Light Gray	1	YES

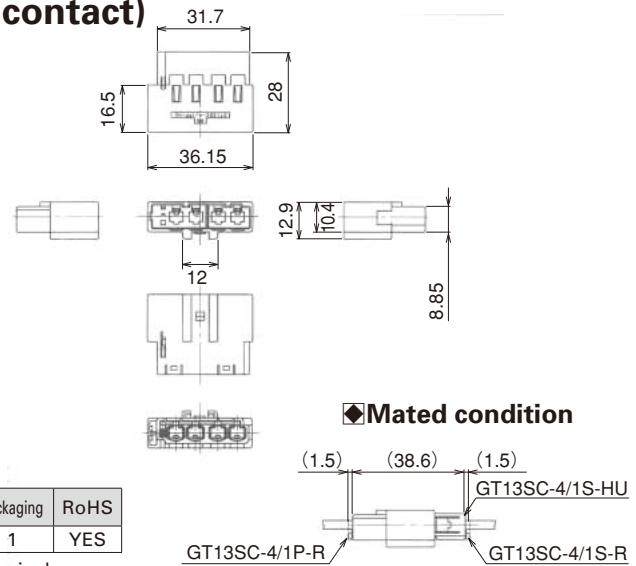
Note : GT10SC-2022PCF or GT10A-2022PCF is used for power supply terminals.

● Retainer (Only for GT13SCN-2/1PP-HU)



Part No.	HRS No.	Material	Color	Packaging	RoHS
GT13SC-2/1PP-R	763-0040-5 00	PBT	Dark Gray	1	YES

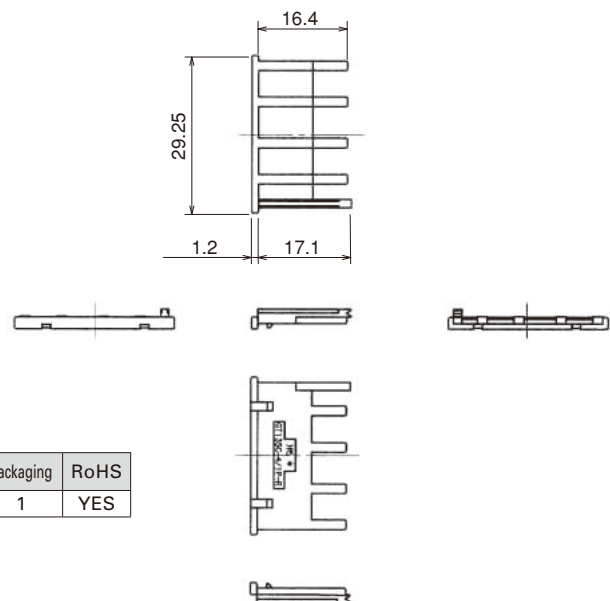
■ M Housing (4 Coaxials + 1 Power contact)



Part No.	HRS No.	Material	Color	Packaging	RoHS
GT13SCH-4/1PP-HU	763-0060-2 00	PBT	Light Gray	1	YES

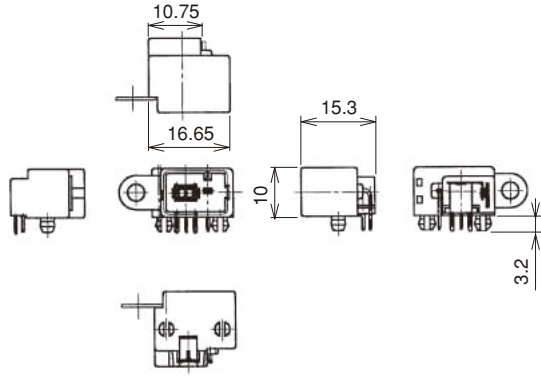
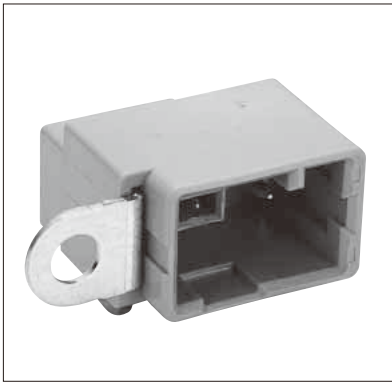
Note : GT10SC-2022PCF or GT10A-2022PCF is used for power supply terminals.

● Retainer

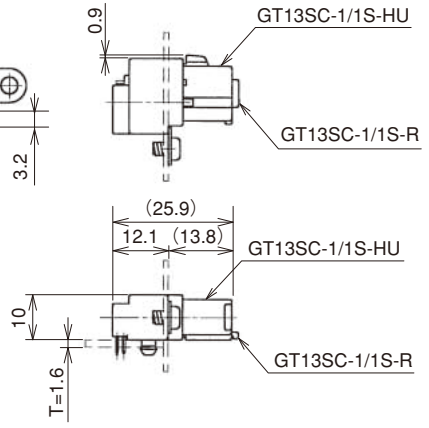


Part No.	HRS No.	Material	Color	Packaging	RoHS
GT13SC-4/1P-R	763-0061-5 00	PBT	Dark Gray	1	YES

Printed Circuit Board Type (1 Coaxial +1 Power contact)

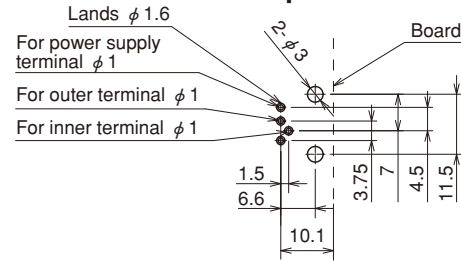


◆ Mated condition

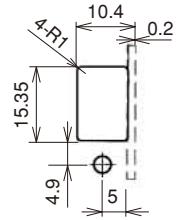


Part No.	HRS No.	Material/Plating or Color	Packaging	RoHS
GT13SC-1/1PP-DS(70)	763-0009-5 70	Housing: PBT/Light Gray Center terminal: Copper alloy/Tin plating Outer terminal: Copper alloy/Tin plating Power terminal: Copper alloy/Tin plating Metal bracket: Copper alloy/Tin plating	1	YES

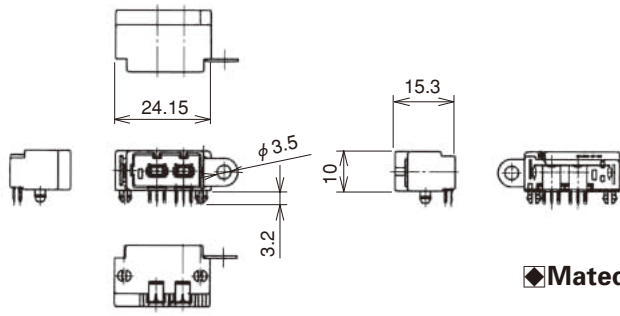
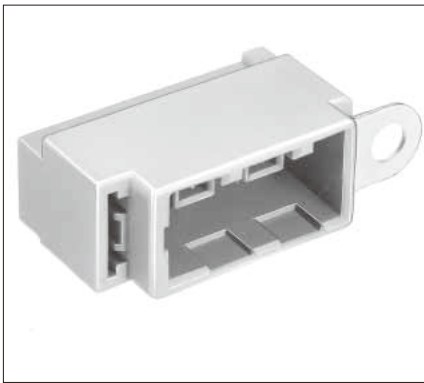
◆ Recommended PCB pattern



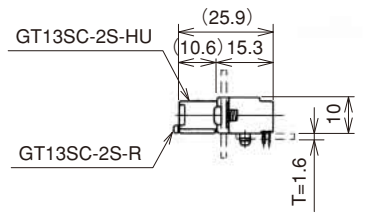
◆ Recommended panel cutout dimension



Printed Circuit Board Type (2 Coaxials)

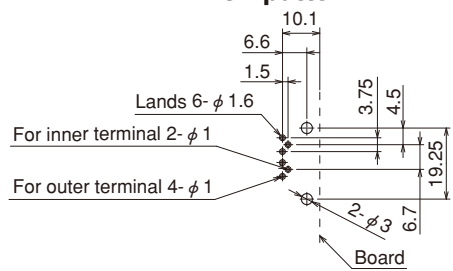


◆ Mated condition

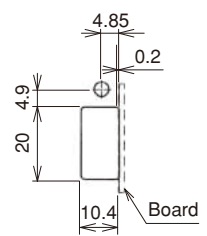


Part No.	HRS No.	Material	Color	Key polarizing code	Packaging	RoHS
GT13SC-2PP-DS	763-0013-2	Housing: PBT Center terminal: Copper alloy/Tin plating Outer terminal: Copper alloy/Tin plating Metal bracket: Copper alloy/Tin plating	Light Gray	Standard	1	YES

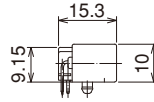
◆ Recommended PCB pattern



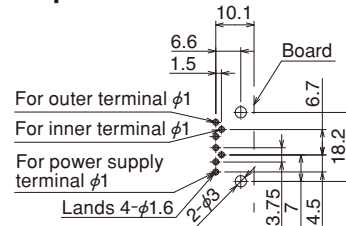
◆ Recommended panel cutout dimension



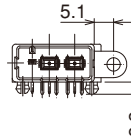
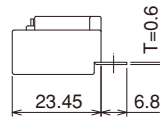
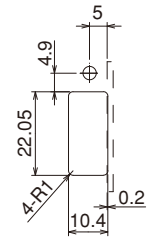
Printed Circuit Board Type (2 Coaxials + 1 Power contact)



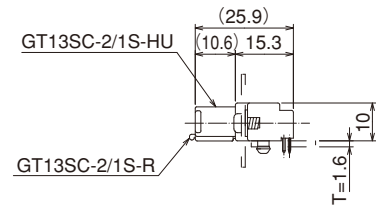
Recommended PCB pattern



Recommended panel cutout dimension

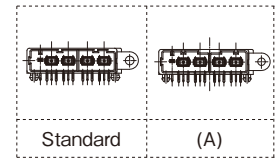
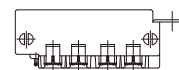
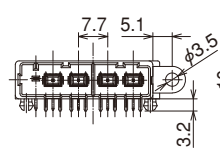
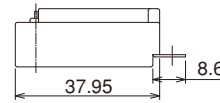
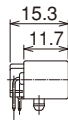
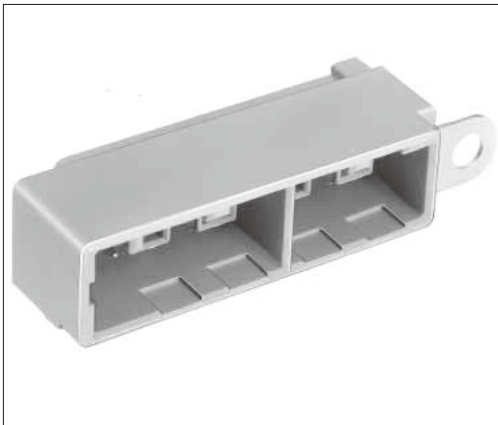


Mated condition

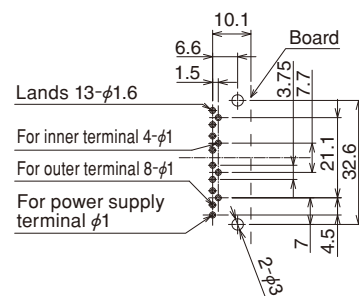


Part No.	HRS No.	Material/Plating or Color	Packaging	RoHS
GT13SC-2/1PP-DS(70)	763-0018-6 70	Housing : PBT/Light Gray Center terminal : Copper alloy/Tin plating Outer terminal : Copper alloy/Tin plating Power terminal : Copper alloy/Tin plating Metal bracket : Copper alloy/Tin plating	1	YES

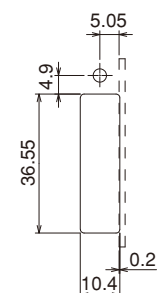
Printed Circuit Board Type (4 Coaxials + 1 Power contact)



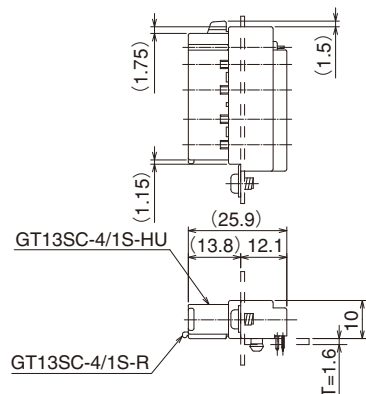
Recommended PCB pattern



Recommended panel cutout dimension



Mated condition



Part No.	HRS No.	Material	Color	Key polarizing code	Packaging	RoHS
GT13SC-4/1PP-DS(70)	763-0019-9 70	Housing : PBT Center terminal : Copper alloy/Tin plating Outer terminal : Copper alloy/Tin plating Power terminal : Copper alloy/Tin plating Metal bracket : Copper alloy/Tin plating	Light Gray	Standard	1	YES
GT13SC-4/1PP-DS(A)(70)	763-0020-8 70		Brown	(A)		

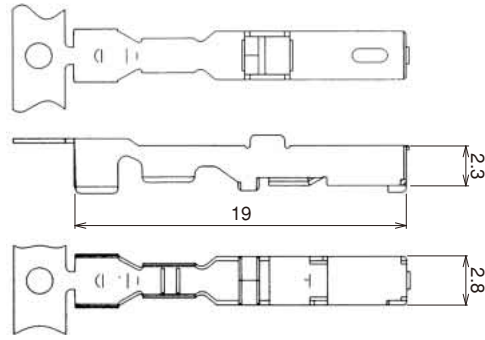
For Antenna

- GT5
- GT13
- GT16
- PO5G
- GT19
- GT21
- GT26
- GT36
- GT11
- GT17
- GT32
- GT3
- GT7
- GT10
- GT18W
- GT25
- GT8E
- GT9
- GT15

GT13SH Series

Power Supply Terminals

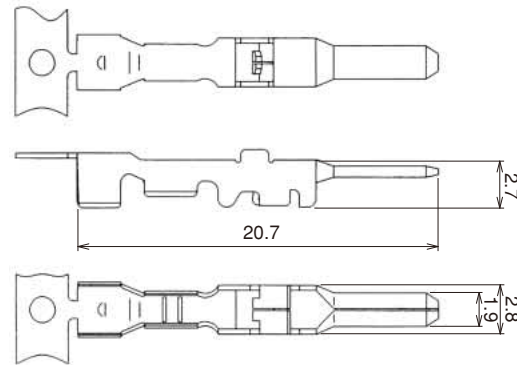
F Connector Terminals



Part No.	HRS No.	Material	Plating	Conductor Size (AWG)	Outer Diameter	Packaging	RoHS
GT7-2022SCF(70)	757-0001-1 70	Copper alloy	Tin plating	20 to 22 AWG	φ1.4 to 2.4	5,000 pcs/reel	YES
GT7A-2022SCF(70)	757-0003-7 70				φ2.6 to 3.1	3,000 pcs/reel	

Note1 : Sold by the reel.(See above table for number of Packaging.)
 Note2 : This component is used only with applicable HRS housings.

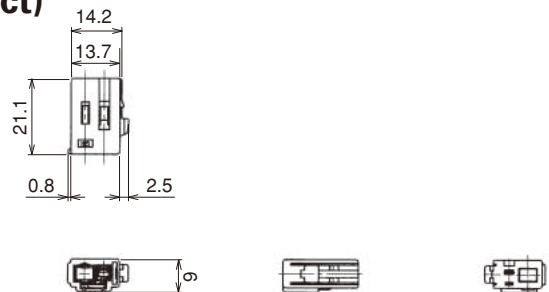
Terminals for M Connector



Part No.	HRS No.	Material	Plating	Conductor Size (AWG)	Outer Diameter	Packaging	RoHS
GT7-2022PCF(70)	757-0002-4 70	Brass	Tin plating	20 to 22 AWG	φ1.4 to 2.4	5,000 pcs/reel	YES
GT7A-2022PCF(70)	757-0004-0 70				φ2.6 to 3.1	3,000 pcs/reel	

Note1 : Sold by the reel.(See above table for number of Packaging.)
 Note2 : This component is used only with applicable HRS housings.

F Housing (1 Coaxial + 1 Power contact)



Part No.	HRS No.	Material	Color	Packaging	RoHS
GT13SH-1/1S-HU	763-0048-7 00	PBT	Light Gray	1	YES
GT13SH-1/1S-HU(A)	763-0059-3 00		Brown		

Note : GT7-2022SCF(70) or GT7A-2022SCF(70) is used for power supply terminals.

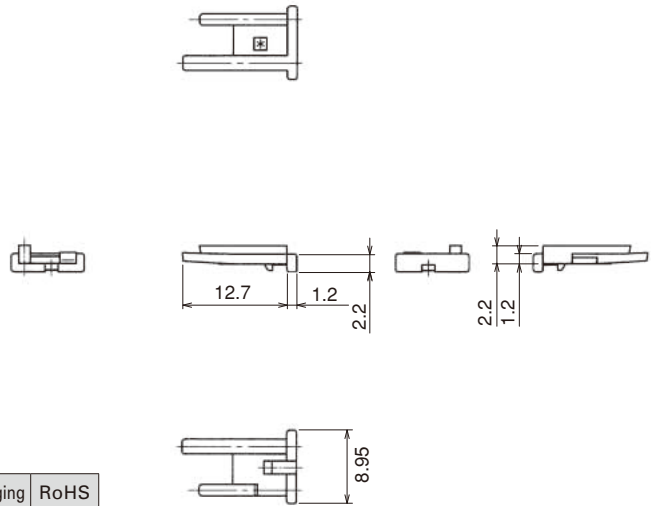
May.1.2017 Copyright 2017 HIROSE ELECTRIC CO., LTD. All Rights Reserved for Antenna

- GT5
- GT13
- GT16
- PO5G
- GT19
- GT21
- GT26
- GT36
- GT11
- GT17
- GT32
- GT3
- GT7
- GT10
- GT18W
- GT25
- GT8E
- GT9
- GT15

For Antenna

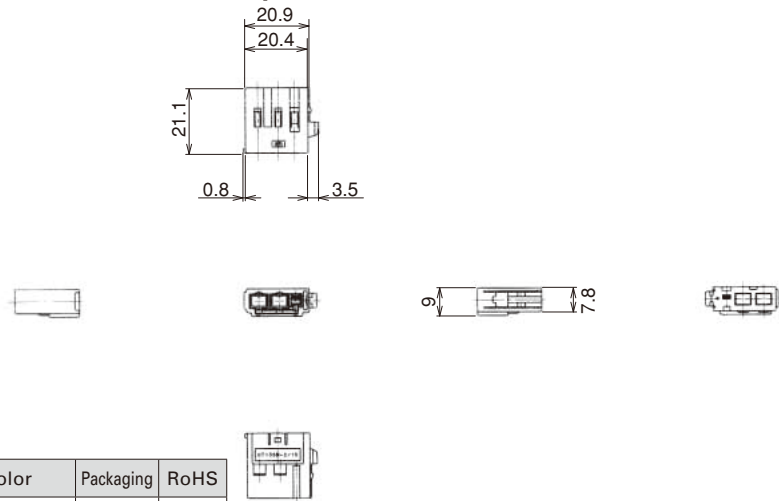
- GT5
- GT13**
- GT16
- PO5G
- GT19
- GT21
- GT26
- GT36
- GT11
- GT17
- GT32
- GT3
- GT7
- GT10
- GT18W
- GT25
- GT8E
- GT9
- GT15

● Retainer



Part No.	HRS No.	Material	Color	Packaging	RoHS
GT13SH-1/1S-R	763-0049-0 00	PBT	Dark Gray	1	YES

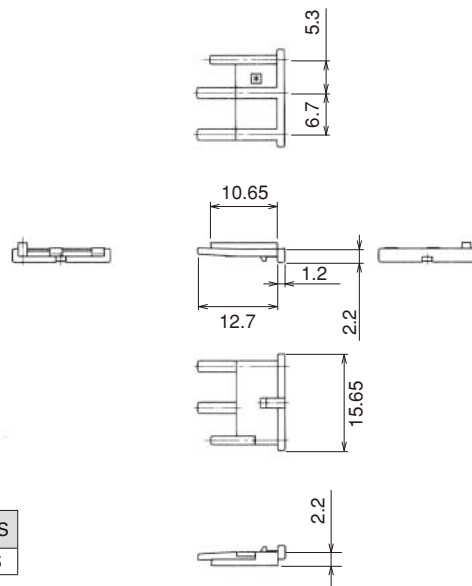
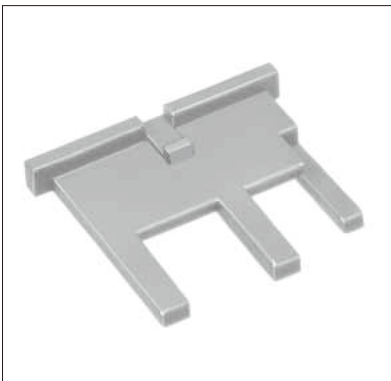
■ F Housing (2 Coaxials + 1 Power contact)



Part No.	HRS No.	Material	Color	Packaging	RoHS
GT13SH-2/1S-HU	763-0065-6 00	PBT	Light Gray	1	YES

Note : GT7-2022SCF(70) or GT7A-2022SCF(70) is used for power supply terminals.

● Retainer



Part No.	HRS No.	Material	Color	Packaging	RoHS
GT13SH-2/1S-R	763-0064-3 00	PBT	Dark Gray	1	YES

May.1.2017 Copyright 2017 HIROSE ELECTRIC CO., LTD. All Rights Reserved for Antenna

GT5

GT13

GT16

GT19

GT21

GT26

GT36

GT11

GT17

GT32

GT3

GT7

GT10

GT18W

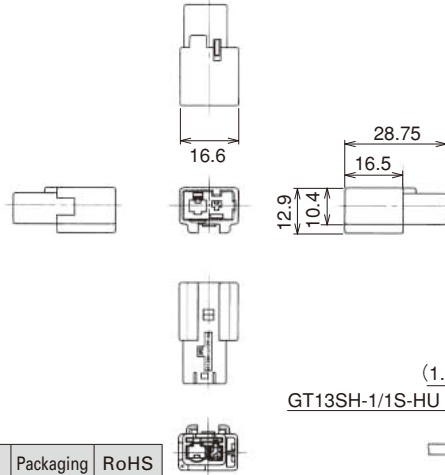
GT25

GT8E

GT9

GT15

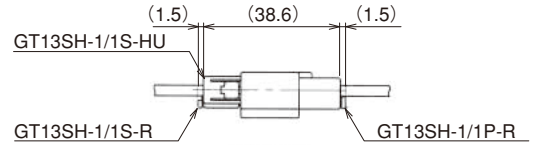
■ M Housing (1 Coaxial + 1 Power contact)



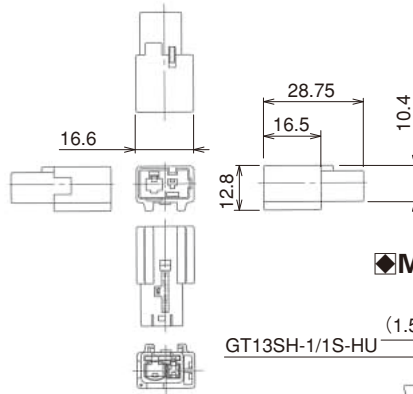
Part No.	HRS No.	Material	Color	Packaging	RoHS
GT13SH-1/1PP-HU	763-0055-2 00	PBT	Light Gray	1	YES

Note : Power supply terminal is GT7-2022PCF(70) or GT7A-2022PCF(70).

◆ Mated condition



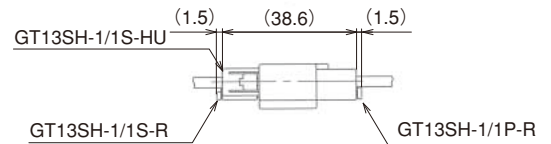
■ M Housing (1 Coaxial + 1 Power contact)



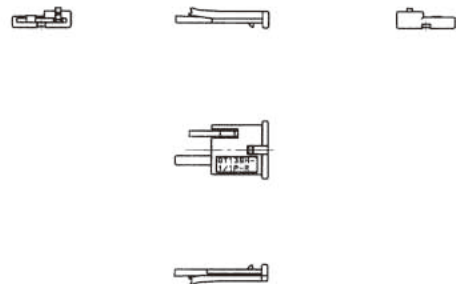
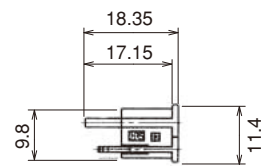
Part No.	HRS No.	Material	Color	Packaging	RoHS
GT13SHN-1/1PP-HU	763-0078-8 00	PBT	Light Gray	1	YES

Note : Power supply terminal is GT7-2022PCF(70) or GT7A-2022PCF(70).

◆ Mated condition



● Retainer

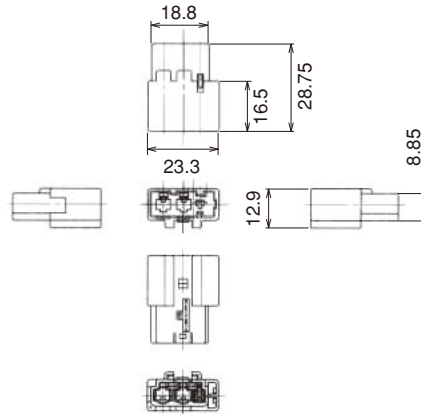


Part No.	HRS No.	Material	Color	Packaging	RoHS
GT13SH-1/1P-R	763-0056-5 00	PBT	Dark Gray	1	YES

For Antenna

- GT5
- GT13
- GT16
- PO5G
- GT19
- GT21
- GT26
- GT36
- GT11
- GT17
- GT32
- GT3
- GT7
- GT10
- GT18W
- GT25
- GT8E
- GT9
- GT15

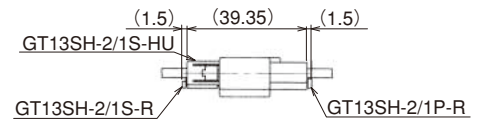
M Housing (2 Coaxials + 1 Power contact)



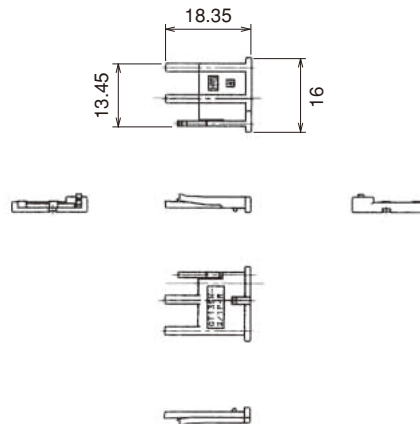
Part No.	HRS No.	Material	Color	Packaging	RoHS
GT13SH-2/1PP-HU	763-0076-2 00	PBT	Light Gray	1	YES

Note : GT7-2022SCF(70) or GT7A-2022SCF(70) is used for power supply terminals.

◆ Mated condition

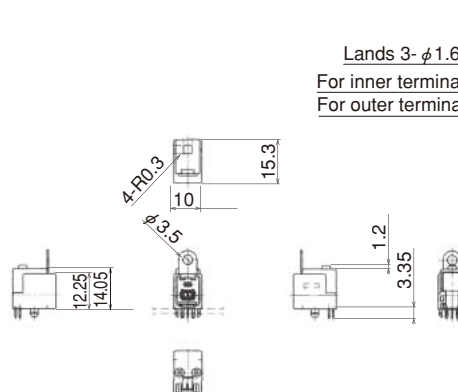


● Retainer



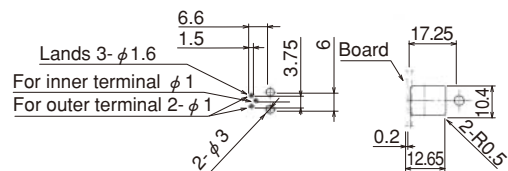
Part No.	HRS No.	Material	Color	Packaging	RoHS
GT13SH-2/1P-R	763-0077-5 00	PBT	Dark Gray	1	YES

Printed Circuit Board Type (1 Coaxial)

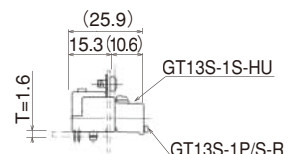


◆ Recommended PCB pattern

◆ Recommended panel cutout dimension



◆ Mated condition



Part No.	HRS No.	Material / Plating or Color	Packaging	RoHS
GT13SHA-1PP-DS	763-0062-8 00	Housing : PBT / Light Gray Center terminal : Copper alloy / Tin plating Outer terminal : Copper alloy / Tin plating Metal bracket : Copper alloy / Tin plating	1	YES

May.1.2017 Copyright 2017 HIROSE ELECTRIC CO., LTD. All Rights Reserved for Antenna

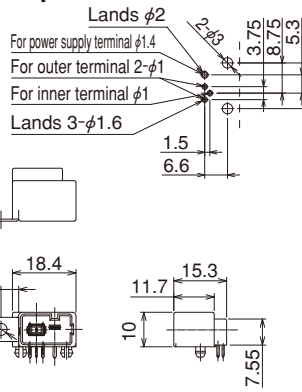
- GT5
- GT13
- GT16
- PO5G
- GT19
- GT21
- GT26
- GT36
- GT11
- GT17
- GT32
- GT3
- GT7
- GT10
- GT18W
- GT25
- GT8E
- GT9
- GT15

Printed Circuit Board Type (1 Coaxial + 1 Power contact)

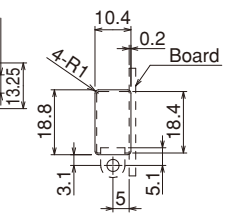


Part No.	HRS No.	Material/Plating or Color	Packaging	RoHS
GT13SH-1/1PP-DS	763-0050-9 00	Housing : PBT/Light Gray Center terminal : Copper alloy/Tin plating Outer terminal : Copper alloy/Tin plating Power terminal : Copper alloy/Tin plating Metal bracket : Copper alloy/Tin plating	1	YES

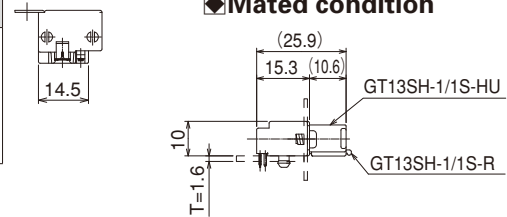
Recommended PCB pattern



Recommended panel cutout dimension



Mated condition

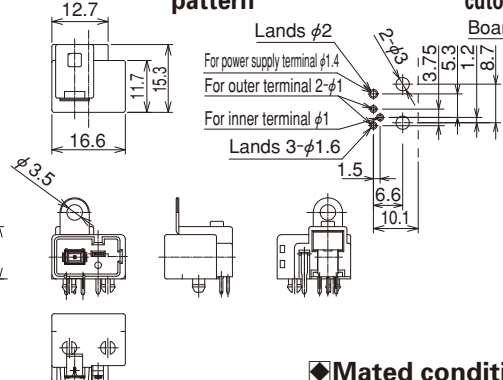


Printed Circuit Board Type (1 Coaxial + 1 Power contact)

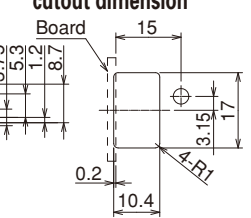


Part No.	HRS No.	Material/Plating	Color	Packaging	RoHS
GT13SHA-1/1PP-DS	763-0057-8 00	Housing : PBT Center terminal : Copper alloy/Tin plating Outer terminal : Copper alloy/Tin plating Power terminal : Copper alloy/Tin plating Metal bracket : Copper alloy/Tin plating	Light Gray	1	YES

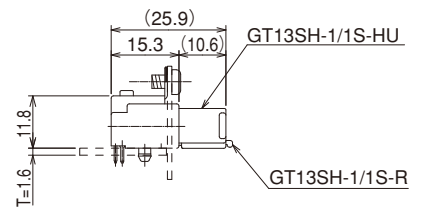
Recommended PCB pattern



Recommended panel cutout dimension



Mated condition

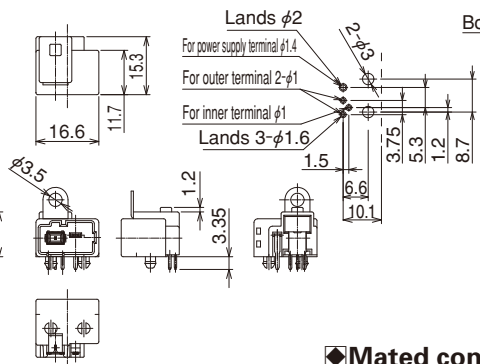


Printed Circuit Board Type (1 Coaxial + 1 Power contact)

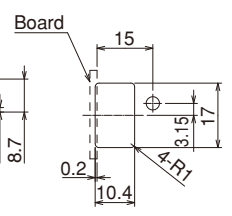


Part No.	HRS No.	Material/Plating	Color	Packaging	RoHS
GT13SHA-1/1PP-DS(A)	763-0058-0 00	Housing : PBT Center terminal : Copper alloy/Tin plating Outer terminal : Copper alloy/Tin plating Power terminal : Copper alloy/Tin plating Metal bracket : Copper alloy/Tin plating	Brown	1	YES

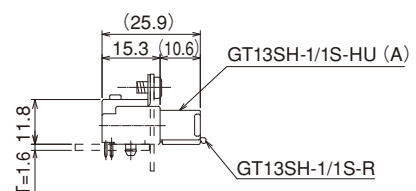
Recommended PCB pattern



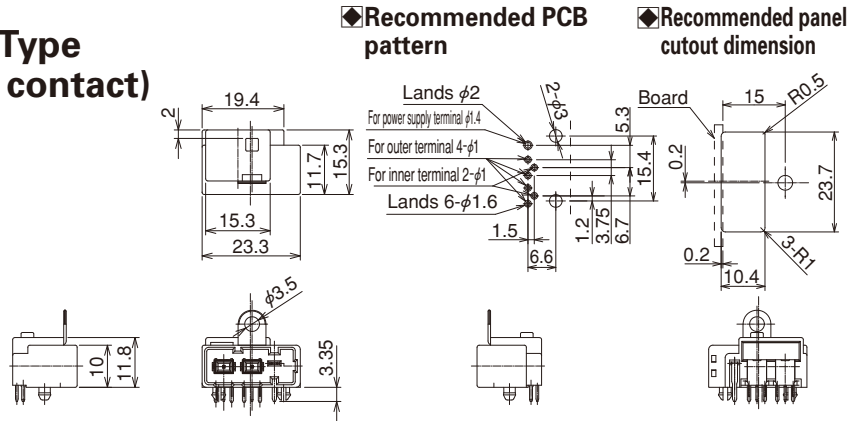
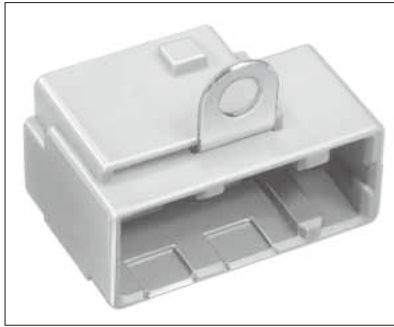
Recommended panel cutout dimension



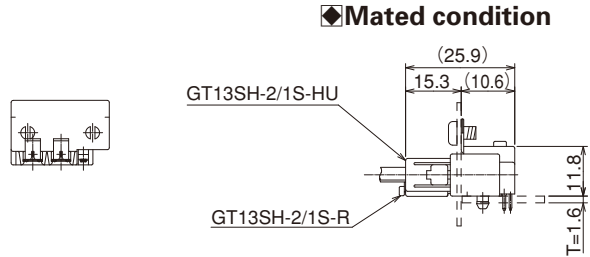
Mated condition



Printed Circuit Board Type (2 Coaxials + 1 Power contact)



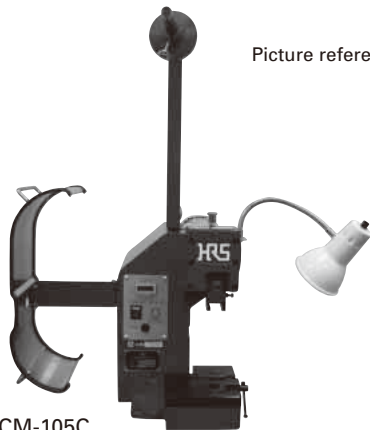
Part No.	HRS No.	Material / Plating or Color	Packaging	RoHS
GT13SHA-2/1PP-DS	763-0063-0	Housing : PBT / Light Gray Center terminal : Copper alloy / Tin plating Outer terminal : Copper alloy / Tin plating Power terminal : Copper alloy / Tin plating Metal bracket : Copper alloy / Tin plating	1	YES



◆ Crimping tools

User's manuals are available. Please contact a Hirose Electric account representative.

Automatic Crimping Machine



Picture reference only

Part No. CM-105C

Specifications

Item	Specification	Remarks
Press capacity	1.5tons	
Stroke Length	30mm	
Number of strokes	200spm (50Hz)	200spm (60Hz)
Weight	75kg	
Motor	0.2kW	AC 100V
Crimping speed	2000 to 4000pcs/h	

* Crimp height setting tables are available for each cable type. Please contact your nearest Hirose Electric account representative.
Different cables will require different crimp height settings.

● Special reel stand is required.

● Harness tools

Terminal Product No.	Terminal HRS No.	Tool No.	Tool HRS No.
GT13-2428/1.6-2.9SCF(70)	763-0001-3 70	AP105-GT13-2428/1.6-2.9S	901-5073-1
GT13-2428/1.6-2.9PCF(70)	763-0002-6 70	AP105-GT13-2428/1.6-2.9P	901-5074-7
GT13-30/1.6-2.9SCF(70)	763-0012-0 70	AP105-GT13-30/1.6-2.9S-ID	901-5099-5
GT13-30/1.6-2.9PCF(70)	763-0041-8 70	AP105-GT13-30/1.6-2.9P-ID	901-5118-8
GT13-30/1.6-2.9SCF(70)	763-0012-0 70	AP105-GT13-30/1.6-2.9S	901-5116-2
GT13-30/1.6-2.9PCF(70)	763-0041-8 70	AP105-GT13-30/1.6-2.9P	901-5119-0