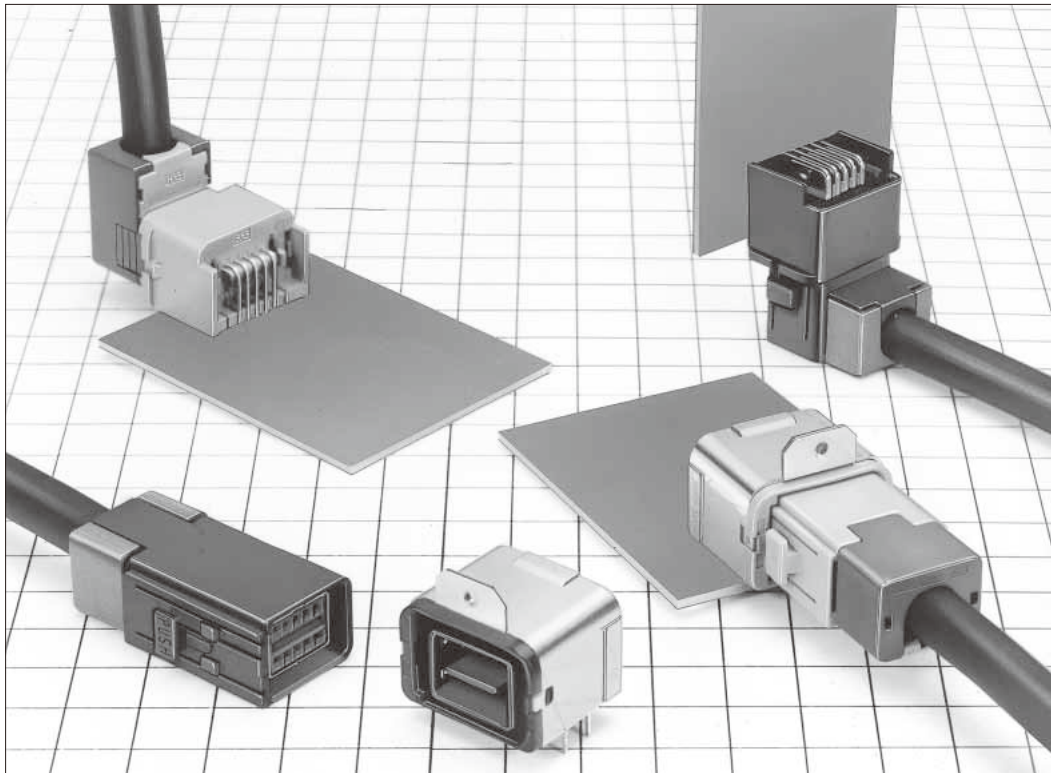


# GT17 Series

— Automotive Shielded Connector —  
(2mm Pitch)



## ■ Features

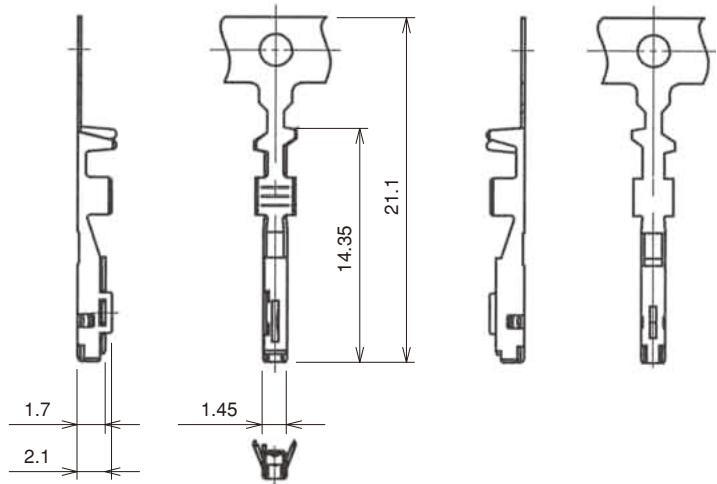
- All surface shielded construction.
- Ideal for use as automotive USB connectors.

## ■ Applications

In-car data communications, etc.  
(For USB2.0, LVDS)

## F Connectors

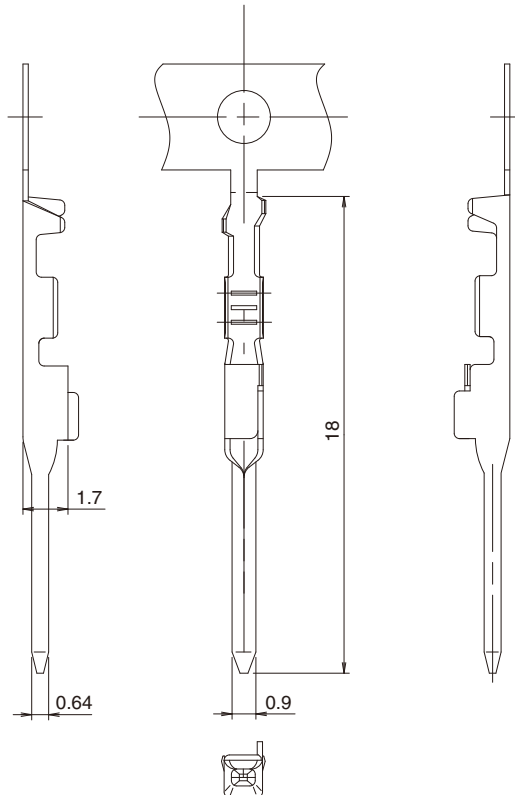
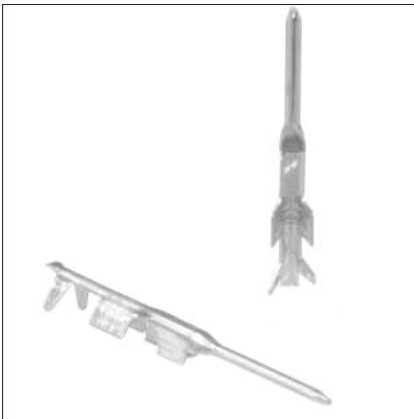
### Center Terminals (Used with 6, 8, and 10 pos. cable)



| Part No.      | HRS No.    | Material     | Plating     | Conductor Size (AWG) | Outer Diameter | Packaging       | RoHS |
|---------------|------------|--------------|-------------|----------------------|----------------|-----------------|------|
| GT17-2022SCF  | 767-0009-0 | Copper alloy | Tin plating | 20 to 22 AWG         | φ 1.1 to 1.3   | 10,000 pcs/reel | YES  |
| GT17-2428SCF  | 767-0010-0 |              |             | 24 to 28 AWG         | φ 0.7 to 1.0   |                 |      |
| GT17-30SCF    | 767-0064-9 |              |             | 30 AWG               | φ 1.1 to 1.3   |                 |      |
| GT17B-2428SCF | 767-0122-3 |              |             | 24 to 28 AWG         | φ 0.5 to 0.7   |                 |      |

## M Connectors

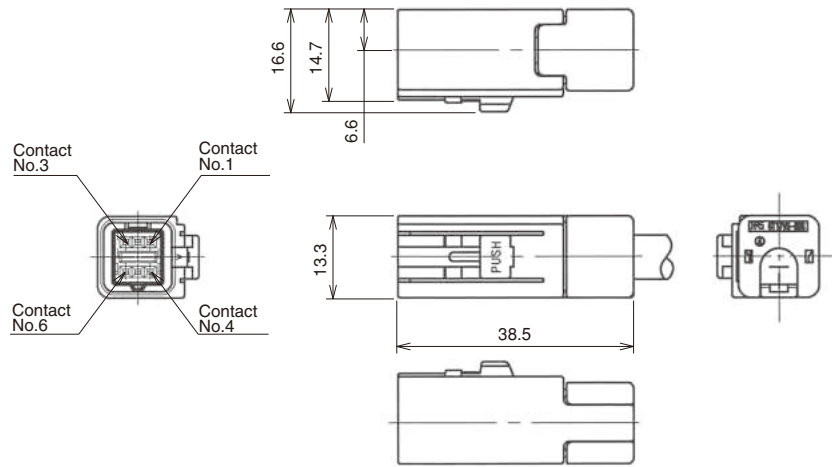
### Center Terminals (Used with 6, and 10 pos. cable)



| Part No.      | HRS No.    | Material | Plating     | Conductor Size (AWG) | Outer Diameter | Packaging       | RoHS |
|---------------|------------|----------|-------------|----------------------|----------------|-----------------|------|
| GT17-2022PCF  | 767-0082-0 | Brass    | Tin plating | 20 to 22 AWG         | φ 1.1 to 1.3   | 10,000 pcs/reel | YES  |
| GT17-2428PCF  | 767-0076-8 |          |             | 24 to 28 AWG         | φ 0.7 to 1.0   |                 |      |
| GT17A-2428PCF | 767-0121-0 |          |             | 24 to 28 AWG         | φ 1.1 to 1.3   |                 |      |

## 6 Pos. Straight Connectors

◆By using two key codings for different purposes, incorrect insertion can be prevented.



◆The product comprises 6 parts.

(Housing, insulator, outer terminal, shield plate, retainer, and center terminal)

● Housing

| Part No.       | HRS No.    | Material / Plating or Color | Packaging | RoHS |
|----------------|------------|-----------------------------|-----------|------|
| GT17VS-6DS-HU  | 767-0051-7 | PBT/Light Gray              | 1         | YES  |
| GT17VSA-6DS-HU | 767-0052-0 | PBT/Black                   |           |      |

● Insulator

| Part No.     | HRS No.    | Material / Plating or Color | Packaging | RoHS |
|--------------|------------|-----------------------------|-----------|------|
| GT17V-6DS-2C | 767-0026-0 | PBT/Dark Gray               | 1         | YES  |

● Outer terminal

| Part No.       | HRS No.    | Material / Plating or Color | Outer Diameter | Packaging | RoHS |
|----------------|------------|-----------------------------|----------------|-----------|------|
| GT17VS-6DS-5CF | 767-0050-4 | Copper alloy / Tin plating  | φ 4.8 to 5.2   | 1         | YES  |

● Shield plate

| Part No.      | HRS No.    | Material / Plating or Color | Packaging | RoHS |
|---------------|------------|-----------------------------|-----------|------|
| GT17VS-6DS-SC | 767-0049-5 | Copper alloy / Tin plating  | 1         | YES  |

● Retainer

| Part No.     | HRS No.    | Material / Plating or Color | Packaging | RoHS |
|--------------|------------|-----------------------------|-----------|------|
| GT17VS-6DS-R | 767-0053-2 | PBT/Dark Gray               | 1         | YES  |

● Center terminal

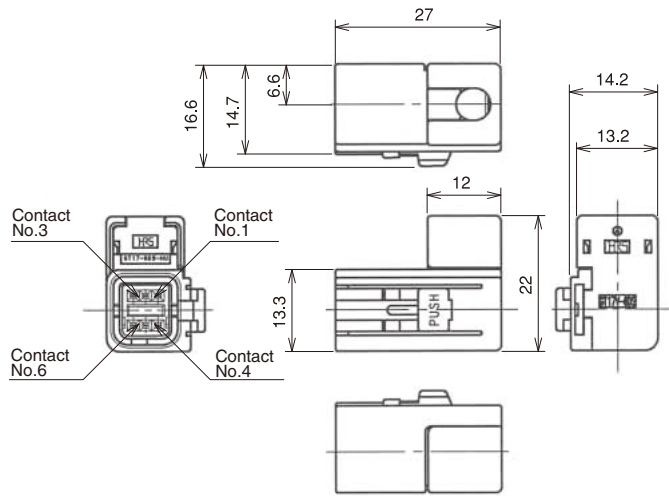
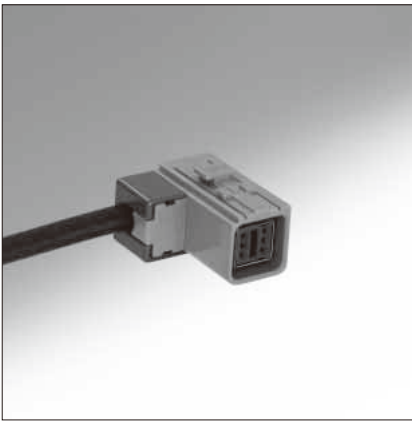
Used with 6,8, and 10 pos. cable

◆Mating Table

| Color | Cable side connector | Board connector    |
|-------|----------------------|--------------------|
| Gray  | GT17VS-6DS-HU        | GT17V-6DP-DS (70)  |
|       |                      | GT17VB-6DP-DS (70) |
| Black | GT17VSA-6DS-HU       | GT17VA-6DP-DS (70) |
|       |                      | GT17VC-6DP-DS (70) |

## ■ 6 Pos. Right-angle Connectors

◆By using two key codings for different purposes, incorrect insertion can be prevented.



◆The product comprises 6 parts.

(Housing, insulator, outer terminal, shield plate, retainer, and center terminal)

● Housing

| Part No.      | HRS No.    | Material / Plating or Color | Packaging | RoHS |
|---------------|------------|-----------------------------|-----------|------|
| GT17V-6DS-HU  | 767-0029-8 | PBT / Light Gray            | 1         | YES  |
| GT17VA-6DS-HU | 767-0030-7 | PBT / Black                 |           |      |

● Insulator

| Part No.     | HRS No.    | Material / Plating or Color | Packaging | RoHS |
|--------------|------------|-----------------------------|-----------|------|
| GT17V-6DS-2C | 767-0026-0 | PBT / Dark Gray             | 1         | YES  |

● Outer terminal

| Part No.        | HRS No.    | Material / Plating or Color | Outer Diameter    | Packaging | RoHS |
|-----------------|------------|-----------------------------|-------------------|-----------|------|
| GT17V-6DS-5CF   | 767-0027-2 | Copper alloy / Tin plating  | $\phi$ 4.8 to 5.2 | 1         | YES  |
| GT17V-6DS-3.8CF | 767-0075-5 |                             | $\phi$ 3.6 to 4.0 |           |      |

● Shield plate

| Part No.     | HRS No.    | Material / Plating or Color | Packaging | RoHS |
|--------------|------------|-----------------------------|-----------|------|
| GT17V-6DS-SC | 767-0028-5 | Copper alloy / Tin plating  | 1         | YES  |

● Retainer

| Part No.    | HRS No.    | Material / Plating or Color | Packaging | RoHS |
|-------------|------------|-----------------------------|-----------|------|
| GT17V-6DS-R | 767-0031-0 | PBT / Dark Gray             | 1         | YES  |

● Center terminal

Used with 6,8, and 10 pos. cable

◆Mating Table

| Color | Cable side connector | Board connector   |
|-------|----------------------|---|
| Gray  | GT17V-6DS-HU         | GT17V-6DP-DS(70)(Cable exit direction, up side from mounting side)    |
|       |                      | GT17VB-6DP-DS(70)(Cable exit direction, down side from mounting side) |
| Black | GT17VA-6DS-HU        | GT17VA-6DP-DS(70)(Cable exit direction, up side from mounting side)   |
|       |                      | GT17VC-6DP-DS(70)(Cable exit direction, down side from mounting side) |

## 6 Pos. Printed Circuit Board Connectors

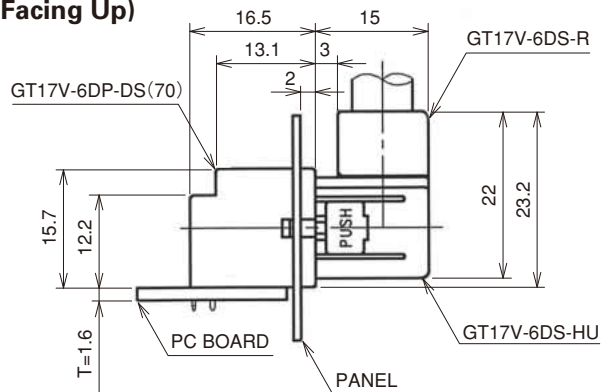
◆By using two key codings for different purposes, incorrect insertion can be prevented.

● Cable extraction facing up

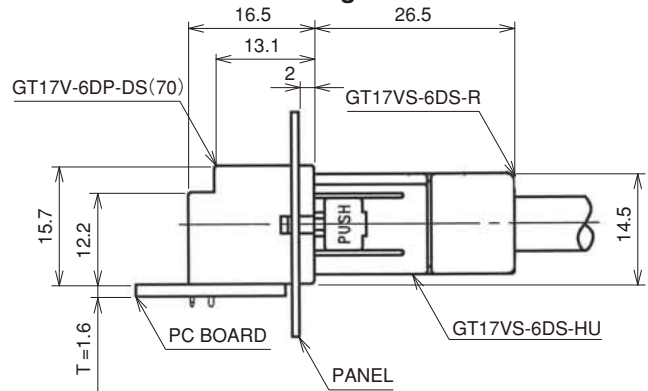


**GT17V-6DP-DS(70)**

### In Combination with a Right-angle Connector (Facing Up)

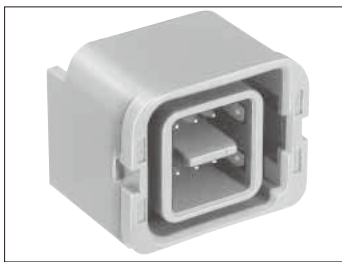


### In Combination with a Straight Connector



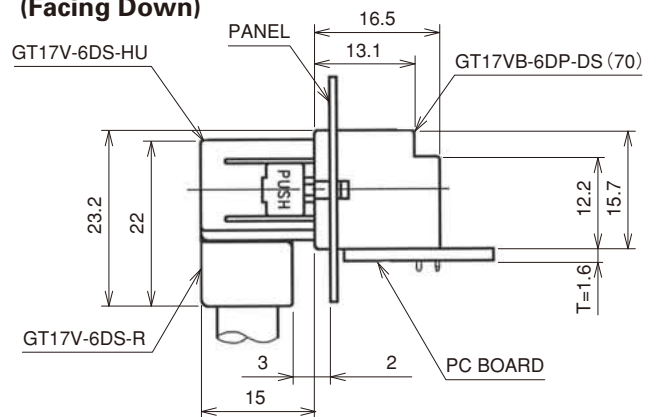
| Part No.         | HRS No.       | Material / Plating or Color   | Packaging | RoHS |
|------------------|---------------|---|-----------|------|
| GT17V-6DP-DS(70) | 767-0024-4 70 | Housing: PBT/Light Gray<br>Center terminal: Brass /Tin plating<br>Outer terminal: Copper alloy /Tin plating | 1         | YES  |

● Cable extraction facing down



**GT17VB-6DP-DS(70)**

### In Combination with a Right-angle Connector (Facing Down)



| Part No.          | HRS No.       | Material / Plating or Color   | Packaging | RoHS |
|-------------------|---------------|---|-----------|------|
| GT17VB-6DP-DS(70) | 767-0032-2 70 | Housing: PBT/Light Gray<br>Center terminal: Brass /Tin plating<br>Outer terminal: Copper alloy /Tin plating | 1         | YES  |

## 6 Pos. Printed Circuit Board Connectors

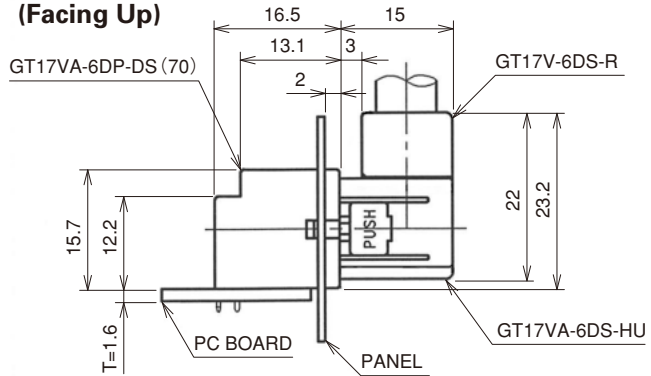
◆By using two key codings for different purposes, incorrect insertion can be prevented.

● Cable extraction facing up

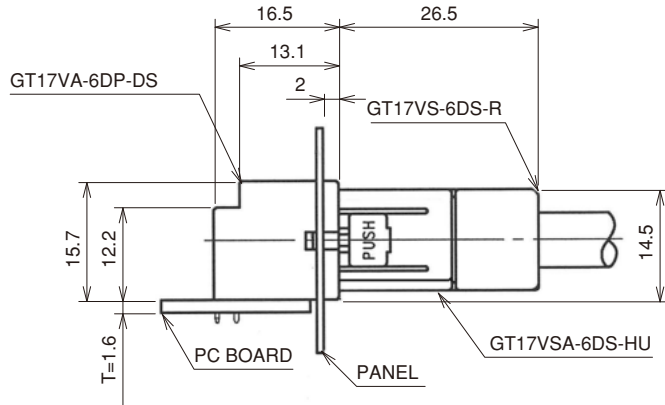


GT17VA-6DP-DS(70)

### In Combination with a Right-angle Connector (Facing Up)



### In Combination with a Straight Connector



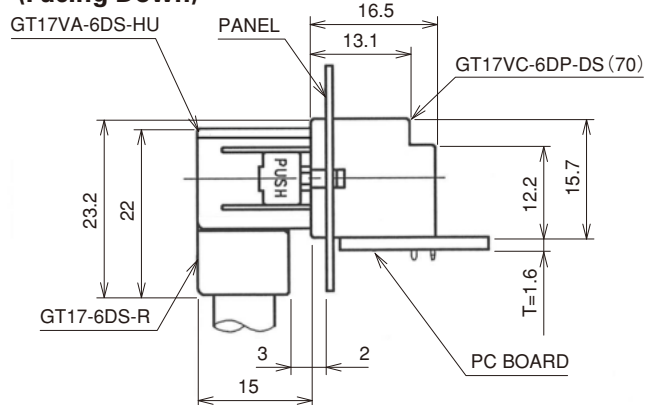
| Part No.          | HRS No.       | Material / Plating or Color  | Packaging | RoHS |
|-------------------|---------------|--|-----------|------|
| GT17VA-6DP-DS(70) | 767-0025-7 70 | Housing: PBT/Black<br>Center terminal: Brass /Tin plating<br>Outer terminal: Copper alloy /Tin plating | 1         | YES  |

● Cable extraction facing down



GT17VC-6DP-DS(70)

### In Combination with a Right-angle Connector (Facing Down)

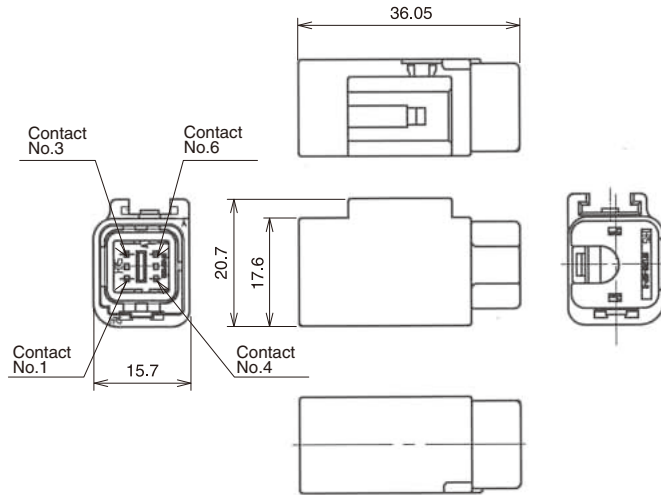


| Part No.          | HRS No.       | Material / Plating or Color  | Packaging | RoHS |
|-------------------|---------------|--|-----------|------|
| GT17VC-6DP-DS(70) | 767-0033-5 70 | Housing: PBT/Black<br>Center terminal: Brass /Tin plating<br>Outer terminal: Copper alloy /Tin plating | 1         | YES  |

May.1.2017 Copyright © 2017 HIROSE ELECTRIC CO., LTD. All Rights Reserved.

GT5  
GT13  
GT16  
PO5G  
GT19  
GT21  
GT26  
GT36  
GT11  
GT17  
GT32  
GT3  
GT7  
GT10  
GT18W  
GT25  
GT8E  
GT9  
GT15

## 6 Pos. In-line Connectors



◆The product comprises 6 parts.  
(Housing, insulator, outer terminal, shield plate, retainer, and center terminal)

● Housing

| Part No.       | HRS No.    | Material / Plating or Color | Packaging | RoHS |
|----------------|------------|-----------------------------|-----------|------|
| GT17VSN-6DP-HU | 767-0077-0 | PBT / Light Gray            | 1         | YES  |
| GT17VSV-6DP-HU | 767-0128-0 |                             |           |      |
| GT17VSN-6DP-HU | 767-0326-3 | PBT / Black                 |           |      |

● Insulator

| Part No.     | HRS No.    | Material / Plating or Color | Packaging | RoHS |
|--------------|------------|-----------------------------|-----------|------|
| GT17V-6DP-2C | 767-0078-3 | PBT / Dark Gray             | 1         | YES  |

● Outer terminal

| Part No.       | HRS No.    | Material / Plating or Color | Outer Diameter | Packaging | RoHS |
|----------------|------------|-----------------------------|----------------|-----------|------|
| GT17VS-6DP-5CF | 767-0080-5 | Copper alloy / Tin plating  | φ 4.8 to 5.0   | 1         | YES  |

● Shield plate

| Part No.      | HRS No.    | Material / Plating or Color | Packaging | RoHS |
|---------------|------------|-----------------------------|-----------|------|
| GT17VS-6DP-SC | 767-0079-6 | Copper alloy / Tin plating  | 1         | YES  |

● Retainer

| Part No.     | HRS No.    | Material / Plating or Color | Packaging | RoHS |
|--------------|------------|-----------------------------|-----------|------|
| GT17VS-6DP-R | 767-0081-8 | PBT / Dark Gray             | 1         | YES  |

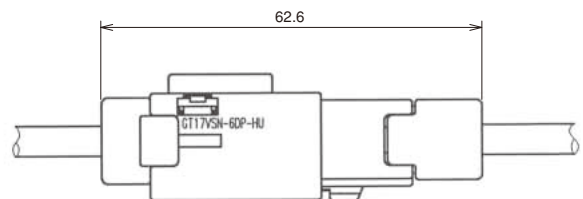
● Center terminal

Used with 6, and 10 Pos. cable

◆Mating Table

| Color | In-line Connector | Cable side Connector |
|-------|-------------------|----------------------|
| Gray  | GT17VSN-6DP-HU    | GT17V-6DS-HU         |
|       | GT17VSV-6DP-HU    | GT17VS-6DS-HU        |
| Black | GT17VSN-6DP-HU    | GT17VA-6DS-HU        |
|       |                   | GT17VSA-6DS-HU       |

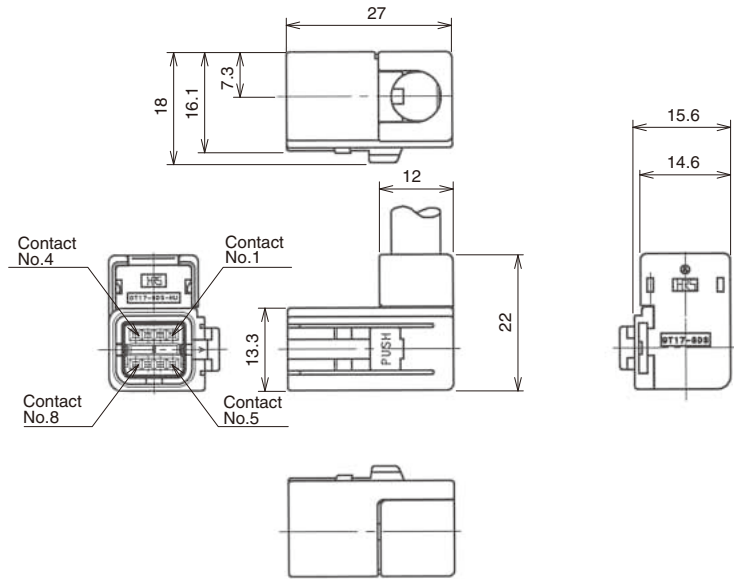
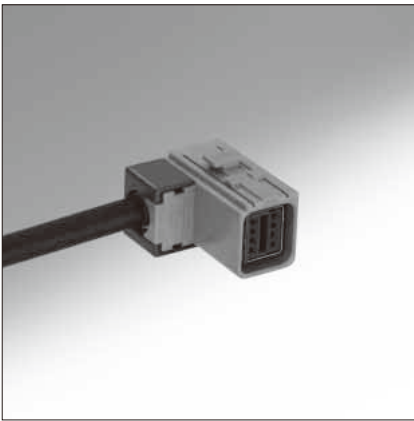
◆Mated Condition



GT5  
GT13  
GT16  
PO5G  
GT19  
GT21  
GT26  
GT36  
GT11  
GT17  
GT32  
GT3  
GT7  
GT10  
GT18W  
GT25  
GT8E  
GT9  
GT15

## 8 Pos. Right-angle Connectors

◆By using two key codings for different purposes, incorrect insertion can be prevented.



◆The product comprises 6 parts.

(Housing, insulator, outer terminal, shield plate, retainer, and center terminal)

● Housing

| Part No.     | HRS No.    | Material / Plating or Color | Packaging | RoHS |
|--------------|------------|-----------------------------|-----------|------|
| GT17-8DS-HU  | 767-0003-4 | PBT / Light Gray            | 1         | YES  |
| GT17A-8DS-HU | 767-0004-7 | PBT / Black                 |           |      |

● Insulator

| Part No.    | HRS No.    | Material / Plating or Color | Packaging | RoHS |
|-------------|------------|-----------------------------|-----------|------|
| GT17-8DS-2C | 767-0005-0 | PBT / Dark Gray             | 1         | YES  |

● Outer terminal

| Part No.         | HRS No.       | Material / Plating or Color   | Outer Diameter | Packaging | RoHS |
|------------------|---------------|-------------------------------|----------------|-----------|------|
| GT17-8DS-7CF(70) | 767-0007-5 70 | Phosphor bronze / Tin plating | φ 6.8 to 7.2   | 1         | YES  |

● Shield plate

| Part No.        | HRS No.       | Material / Plating or Color | Packaging | RoHS |
|-----------------|---------------|-----------------------------|-----------|------|
| GT17-8DS-SC(70) | 767-0006-2 70 | Copper alloy / Tin plating  | 1         | YES  |

● Retainer

| Part No.   | HRS No.    | Material / Plating or Color | Packaging | RoHS |
|------------|------------|-----------------------------|-----------|------|
| GT17-8DS-R | 767-0008-8 | PBT / Dark Gray             | 1         | YES  |

● Center terminal

Used with 6,8, and 10 pos. cable

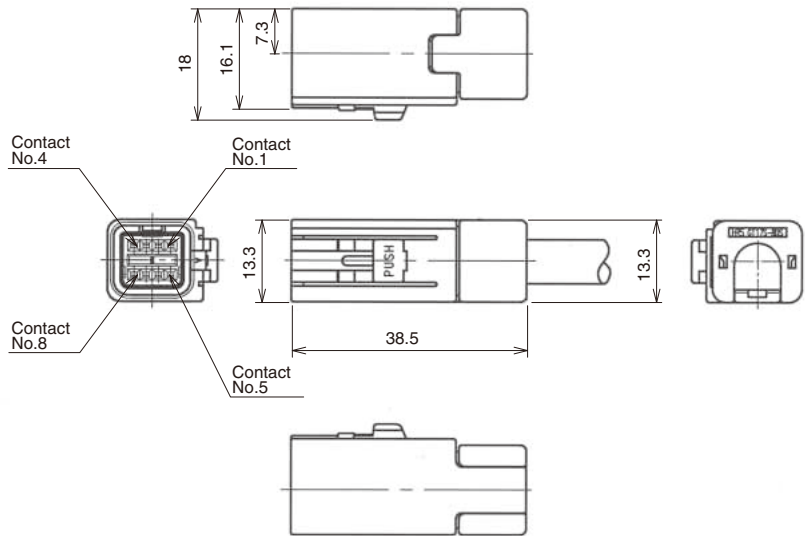
◆Mating Table

| Color | Cable side connector | Board connector  |
|-------|----------------------|--|
| Gray  | GT17-8DS-HU          | GT17V-8DP-DS(Cable exit direction, up side from mounting side)       |
|       |                      | GT17VB-8DP-DS(Cable exit direction, down side from mounting side)    |
|       |                      | GT17VB-8DP-DS-SB(Cable exit direction, down side from mounting side) |
| Black | GT17A-8DS-HU         | GT17VA-8DP-DS(Cable exit direction, up side from mounting side)      |
|       |                      | GT17VC-8DP-DS(Cable exit direction, down side from mounting side)    |
|       |                      | GT17VC-8DP-DS-SB(Cable exit direction, down side from mounting side) |



## ■ 8 Pos. Straight Connectors

◆By using two key codings for different purposes, incorrect insertion can be prevented.



◆The product comprises 6 parts.

(Housing, insulator, outer terminal, shield plate, retainer, and center terminal)

● Housing

| Part No.      | HRS No.    | Material / Plating or Color | Packaging | RoHS |
|---------------|------------|-----------------------------|-----------|------|
| GT17S-8DS-HU  | 767-0108-2 | PBT / Light Gray            | 1         | YES  |
| GT17SA-8DS-HU | 767-0109-5 | PBT / Black                 |           |      |

● Insulator

| Part No.    | HRS No.    | Material / Plating or Color | Packaging | RoHS |
|-------------|------------|-----------------------------|-----------|------|
| GT17-8DS-2C | 767-0005-0 | PBT / Dark Gray             | 1         | YES  |

● Outer terminal

| Part No.      | HRS No.    | Material / Plating or Color | Outer Diameter | Packaging | RoHS |
|---------------|------------|-----------------------------|----------------|-----------|------|
| GT17S-8DS-7CF | 767-0106-7 | Copper alloy / Tin plating  | φ 6.8 to 7.2   | 1         | YES  |

● Shield plate

| Part No.     | HRS No.    | Material / Plating or Color | Packaging | RoHS |
|--------------|------------|-----------------------------|-----------|------|
| GT17S-8DS-SC | 767-0107-0 | Copper alloy / Tin plating  | 1         | YES  |

● Retainer

| Part No.    | HRS No.    | Material / Plating or Color | Packaging | RoHS |
|-------------|------------|-----------------------------|-----------|------|
| GT17S-8DS-R | 767-0110-4 | PBT / Dark Gray             | 1         | YES  |

● Center terminal

Used with 6,8, and 10 pos. cable

◆Mating Table

| Color | Cable side connector | Board connector  |
|-------|----------------------|------------------|
| Gray  | GT17S-8DS-HU         | GT17V-8DP-DS     |
|       |                      | GT17VB-8DP-DS    |
|       |                      | GT17VB-8DP-DS-SB |
| Black | GT17SA-8DS-HU        | GT17VA-8DP-DS    |
|       |                      | GT17VC-8DP-DS    |
|       |                      | GT17VC-8DP-DS-SB |

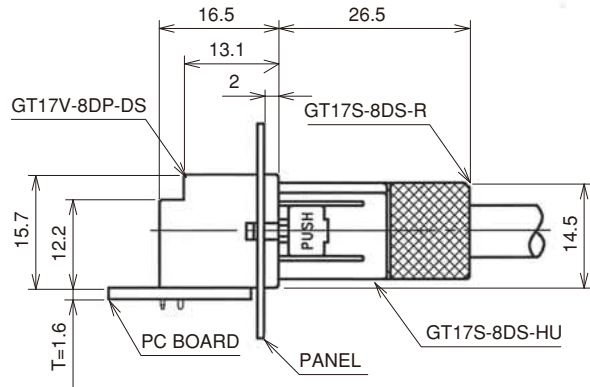
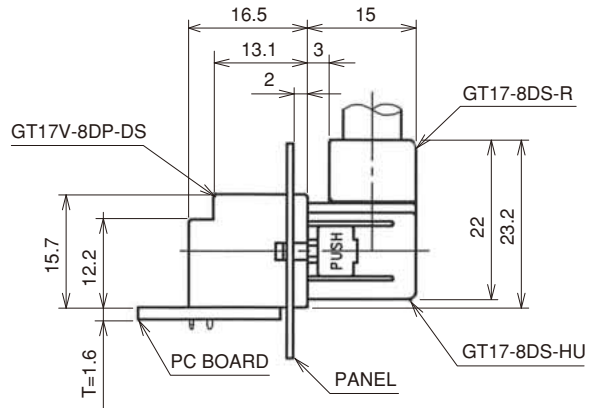
GT5  
GT13  
GT16  
PO5G  
GT19  
GT21  
GT26  
GT36  
GT11  
**GT17**  
GT32  
GT3  
GT7  
GT10  
GT18W  
GT25  
GT8E  
GT9  
GT15

## ■ 8 Pos. Printed Circuit Board Connectors

● Cable extraction facing up

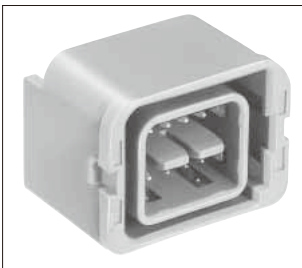


**GT17V-8DP-DS**



| Part No.     | HRS No.    | Material / Plating or Color   | Packaging | RoHS |
|--------------|------------|---|-----------|------|
| GT17V-8DP-DS | 767-0139-6 | Housing: PBT/Light Gray<br>Center terminal: Brass /Tin plating<br>Outer terminal: Copper alloy /Tin plating | 1         | YES  |

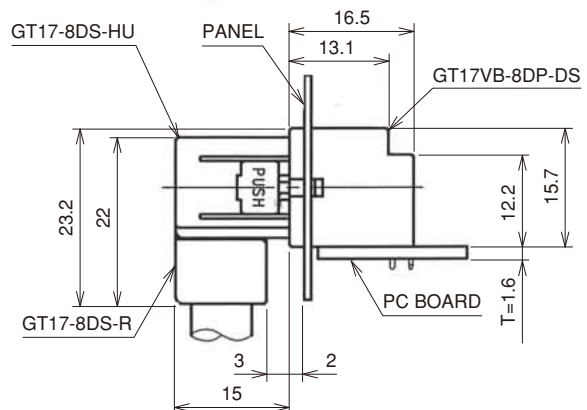
● Cable extraction facing down



**GT17VB-8DP-DS**



**GT17VB-8DP-DS-SB**  
(with enhanced shielding type)



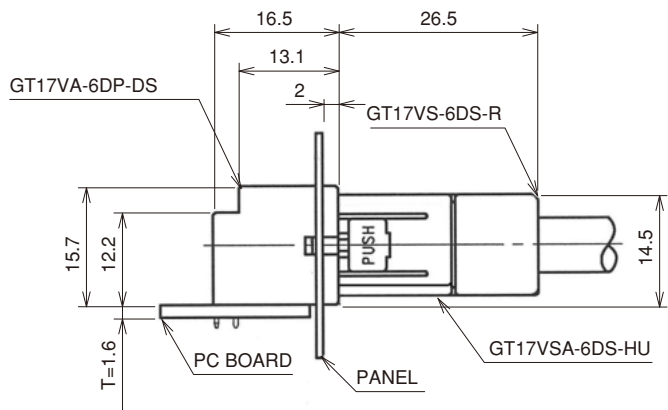
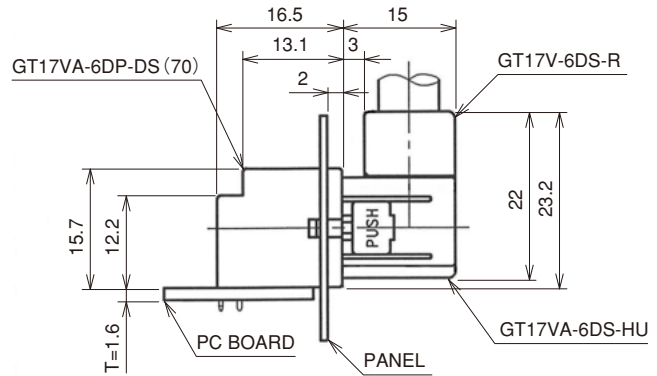
| Part No.         | HRS No.    | Material / Plating or Color  | Packaging | RoHS |
|------------------|------------|--|-----------|------|
| GT17VB-8DP-DS    | 767-0185-3 | Housing: PBT/Light Gray<br>Center terminal: Brass /Tin plating<br>Outer terminal: Copper alloy /Tin plating                                    | 1         | YES  |
| GT17VB-8DP-DS-SB | 767-0123-6 | Housing: PBT/Light Gray<br>Center terminal: Brass /Tin plating<br>Outer terminal: Copper alloy /Tin plating<br>Shield case: Brass /Tin plating |           |      |

## 8 Pos. Printed Circuit Board Connectors

● Cable extraction facing up



**GT17VA-8DP-DS**



| Part No.      | HRS No.    | Material / Plating or Color  | Packaging | RoHS |
|---------------|------------|--|-----------|------|
| GT17VA-8DP-DS | 767-0200-5 | Housing: PBT/Black<br>Center terminal: Brass /Tin plating<br>Outer terminal: Copper alloy /Tin plating | 1         | YES  |

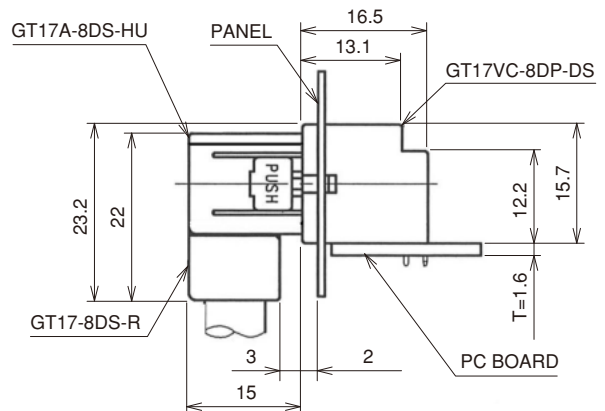
● Cable extraction facing down



**GT17VC-8DP-DS**



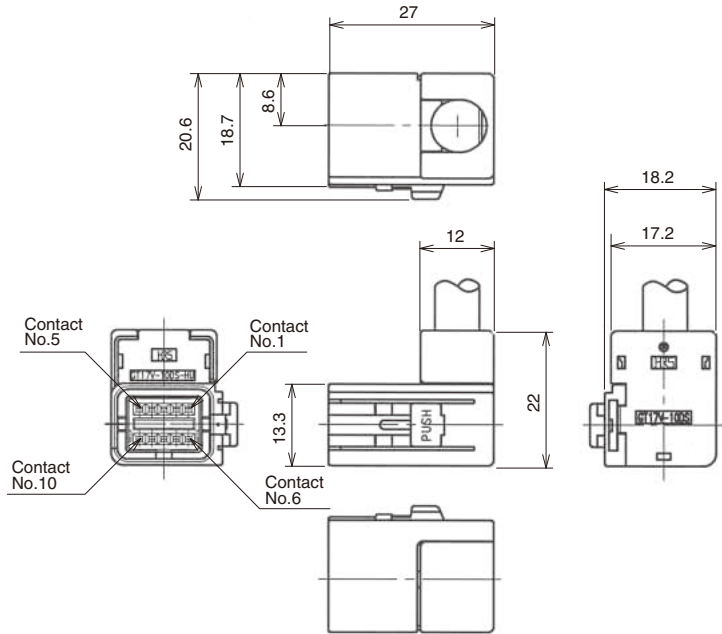
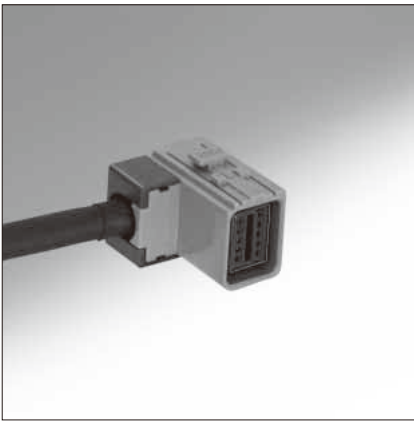
**GT17VC-8DP-DS-SB**  
(with enhanced shielding type)



| Part No.         | HRS No.    | Material / Plating or Color   | Packaging | RoHS |
|------------------|------------|---|-----------|------|
| GT17VC-8DP-DS    | 767-0199-8 | Housing: PBT/Black<br>Center terminal: Brass /Tin plating<br>Outer terminal: Copper alloy /Tin plating                                    | 1         | YES  |
| GT17VC-8DP-DS-SB | 767-0124-9 | Housing: PBT/Black<br>Center terminal: Brass /Tin plating<br>Outer terminal: Copper alloy /Tin plating<br>Shield Case: Brass /Tin plating |           |      |

## ■ 10 Pos. Right-angle Connectors

◆By using two key codings for different purposes, incorrect insertion can be prevented.



◆The product comprises 6 parts.

(Housing, insulator, outer terminal, shield plate, retainer, and center terminal)

● Housing

| Part No.       | HRS No.    | Material / Plating or Color | Packaging | RoHS |
|----------------|------------|-----------------------------|-----------|------|
| GT17V-10DS-HU  | 767-0039-1 | PBT / Light Gray            | 1         | YES  |
| GT17VA-10DS-HU | 767-0040-0 | PBT / Black                 |           |      |

● Insulator

| Part No.      | HRS No.    | Material / Plating or Color | Packaging | RoHS |
|---------------|------------|-----------------------------|-----------|------|
| GT17V-10DS-2C | 767-0036-3 | PBT / Dark Gray             | 1         | YES  |

● Outer terminal

| Part No.       | HRS No.    | Material / Plating or Color | Outer Diameter | Packaging | RoHS |
|----------------|------------|-----------------------------|----------------|-----------|------|
| GT17V-10DS-8CF | 767-0037-6 | Copper alloy / Tin plating  | φ 7.5 to 8     | 1         | YES  |

● Shield plate

| Part No.      | HRS No.    | Material / Plating or Color | Packaging | RoHS |
|---------------|------------|-----------------------------|-----------|------|
| GT17V-10DS-SC | 767-0038-9 | Copper alloy / Tin plating  | 1         | YES  |

● Retainer

| Part No.     | HRS No.    | Material / Plating or Color | Packaging | RoHS |
|--------------|------------|-----------------------------|-----------|------|
| GT17V-10DS-R | 767-0041-3 | PBT / Dark Gray             | 1         | YES  |

● Center terminal

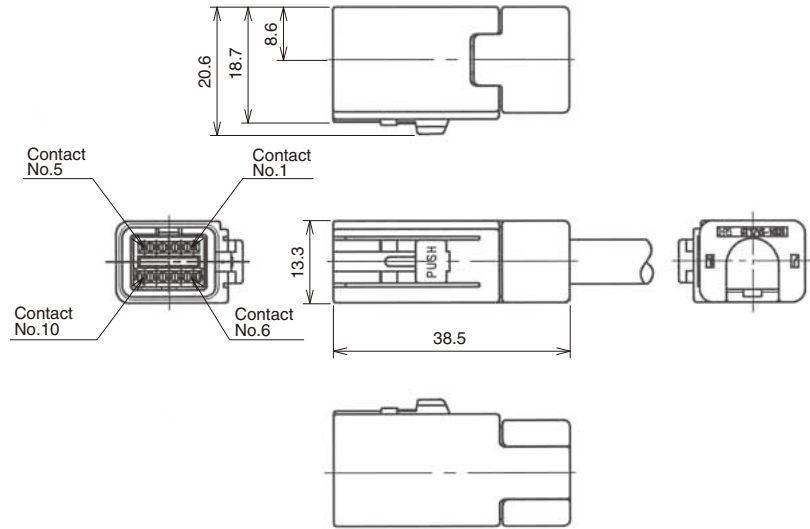
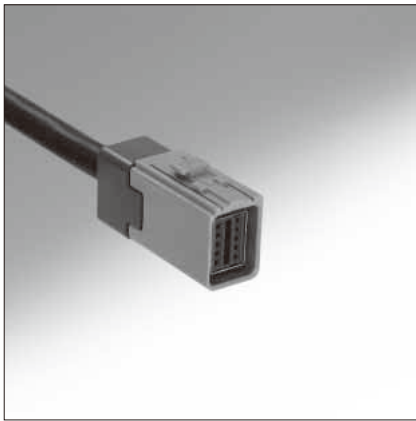
Used with 6,8, and 10 pos. cable

◆Mating Table

| Color | Cable side connector | Board connector   |
|-------|----------------------|---|
| Gray  | GT17V-10DS-HU        | GT17V-10DP-DS(70)(Cable exit direction, up side from mounting side)     |
|       |                      | GT17V-10DP-DSA(70)(Straight type)                                       |
|       |                      | GT17V-10DP-DS-SB(70)(Cable exit direction, up side from mounting side)  |
|       |                      | GT17V-10DP-DSA-SB(Straight type)  |
| Black | GT17VA-10DS-HU       | GT17VA-10DP-DS(70)(Cable exit direction, up side from mounting side)    |
|       |                      | GT17VA-10DP-DSA(70)(Straight type)                                      |
|       |                      | GT17VA-10DP-DS-SB(70)(Cable exit direction, up side from mounting side) |
|       |                      | GT17VA-10DP-DSA-SB(Straight type)                                       |

## 10 Pos. Straight Connectors

◆By using two key codings for different purposes, incorrect insertion can be prevented.



◆The product comprises 6 parts.

(Housing, insulator, outer terminal, shield plate, retainer, and center terminal)

● Housing

| Part No.        | HRS No.    | Material / Plating or Color | Packaging | RoHS |
|-----------------|------------|-----------------------------|-----------|------|
| GT17VS-10DS-HU  | 767-0061-0 | PBT / Light Gray            | 1         | YES  |
| GT17VSA-10DS-HU | 767-0062-3 | PBT / Black                 |           |      |

● Insulator

| Part No.      | HRS No.    | Material / Plating or Color | Packaging | RoHS |
|---------------|------------|-----------------------------|-----------|------|
| GT17V-10DS-2C | 767-0036-3 | PBT / Dark Gray             | 1         | YES  |

● Outer terminal

| Part No.        | HRS No.    | Material / Plating or Color | Outer Diameter | Packaging | RoHS |
|-----------------|------------|-----------------------------|----------------|-----------|------|
| GT17VS-10DS-8CF | 767-0059-9 | Copper alloy / Tin plating  | φ 7.5 to 8     | 1         | YES  |

● Shield plate

| Part No.       | HRS No.    | Material / Plating or Color | Packaging | RoHS |
|----------------|------------|-----------------------------|-----------|------|
| GT17VS-10DS-SC | 767-0060-8 | Copper alloy / Tin plating  | 1         | YES  |

● Retainer

| Part No.      | HRS No.    | Material / Plating or Color | Packaging | RoHS |
|---------------|------------|-----------------------------|-----------|------|
| GT17VS-10DS-R | 767-0063-6 | PBT / Dark Gray             | 1         | YES  |

● Center terminal

Used with 6,8, and 10 pos. cable

◆Mating Table

| Color | Cable side connector | Board connector        |
|-------|----------------------|------------------------|
| Gray  | GT17VS-10DS-HU       | GT17V-10DP-DS (70)     |
|       |                      | GT17V-10DP-DSA (70)    |
|       |                      | GT17V-10DP-DS-SB (70)  |
|       |                      | GT17V-10DP-DSA-SB      |
| Black | GT17VSA-10DS-HU      | GT17VA-10DP-DS (70)    |
|       |                      | GT17VA-10DP-DSA (70)   |
|       |                      | GT17VA-10DP-DS-SB (70) |
|       |                      | GT17VA-10DP-DSA-SB     |

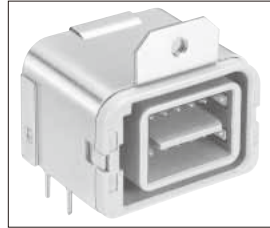
## 10 Pos. Printed Circuit Board Connectors

◆By using two key codings for different purposes, incorrect insertion can be prevented.

### ● Right-angle type

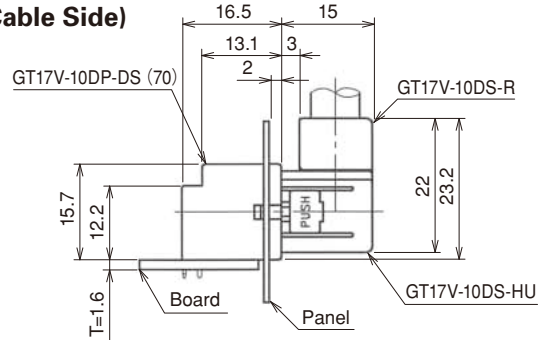


GT17V-10DP-DS(70)

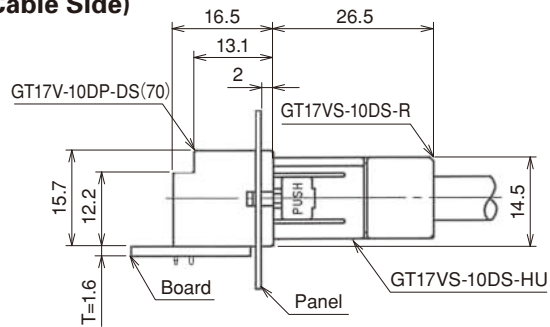


GT17V-10DP-DS-SB(70)  
(with enhanced shielding type)

### In Combination with a Right-angle Connector (Cable Side)

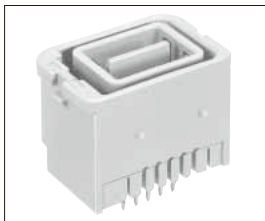


### In Combination with a Straight Connector (Cable Side)



| Part No.             | HRS No.       | Material / Plating or Color  | Packaging | RoHS |
|----------------------|---------------|--|-----------|------|
| GT17V-10DP-DS(70)    | 767-0034-8 70 | Housing: PBT/Light Gray<br>Center terminal: Brass /Tin plating<br>Outer terminal: Copper alloy /Tin plating                                    | 1         | YES  |
| GT17V-10DP-DS-SB(70) | 767-0069-2 70 | Housing: PBT/Light Gray<br>Center terminal: Brass /Tin plating<br>Outer terminal: Copper alloy /Tin plating<br>Shield case: Brass /Tin plating |           |      |

### ● Straight-type

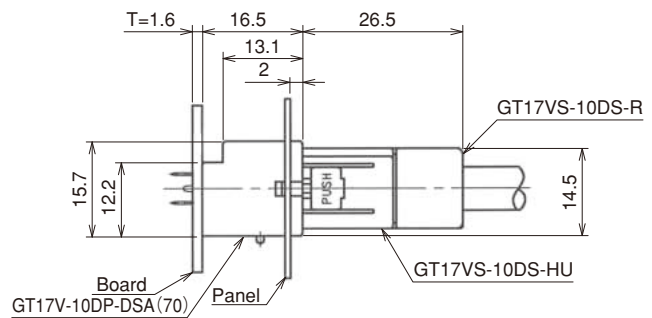


GT17V-10DP-DSA(70)



GT17V-10DP-DSA-SB  
(with enhanced shielding type)

### In Combination with a Straight Connector (Cable Side)

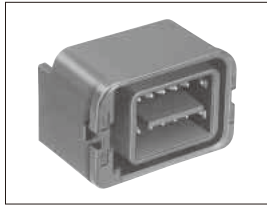


| Part No.           | HRS No.       | Material / Plating or Color  | Packaging | RoHS |
|--------------------|---------------|--|-----------|------|
| GT17V-10DP-DSA(70) | 767-0067-7 70 | Housing: PBT/Light Gray<br>Center terminal: Brass /Tin plating<br>Outer terminal: Copper alloy /Tin plating                                    | 1         | YES  |
| GT17V-10DP-DSA-SB  | 767-0154-0    | Housing: PBT/Light Gray<br>Center terminal: Brass /Tin plating<br>Outer terminal: Copper alloy /Tin plating<br>Shield case: Brass /Tin plating |           |      |

## 10 Pos. Printed Circuit Board Connectors

◆By using two key codings for different purposes, incorrect insertion can be prevented.

### ●Right-angle type

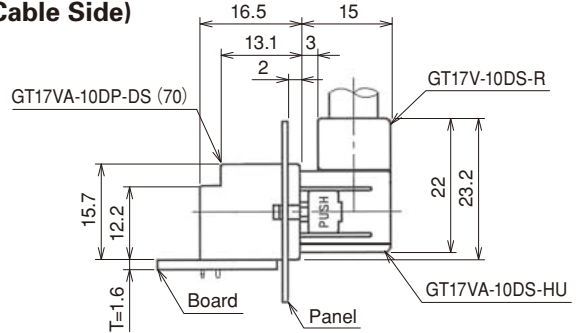


GT17VA-10DP-DS(70)

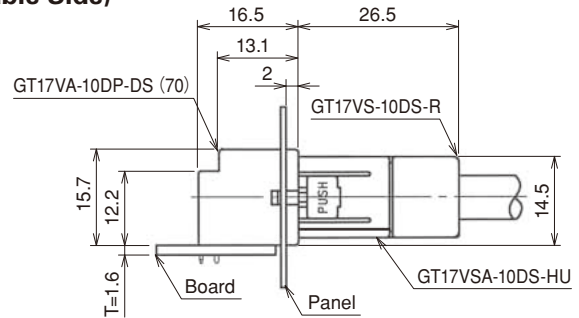


GT17VA-10DP-DS-SB(70)  
(with enhanced shielding type)

### In Combination with a Right-angle Connector (Cable Side)

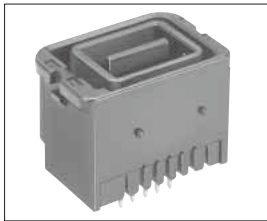


### In Combination with a Straight Connector (Cable Side)



| Part No.              | HRS No.       | Material / Plating or Color   | Packaging | RoHS |
|-----------------------|---------------|---|-----------|------|
| GT17VA-10DP-DS(70)    | 767-0035-0 70 | Housing: PBT/Black<br>Center terminal: Brass /Tin plating<br>Outer terminal: Copper alloy /Tin plating                                    | 1         | YES  |
| GT17VA-10DP-DS-SB(70) | 767-0070-1 70 | Housing: PBT/Black<br>Center terminal: Brass /Tin plating<br>Outer terminal: Copper alloy /Tin plating<br>Shield case: Brass /Tin plating |           |      |

### ●Straight-type

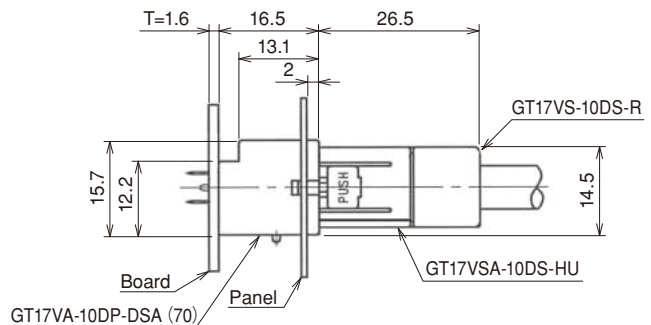


GT17VA-10DP-DSA(70)



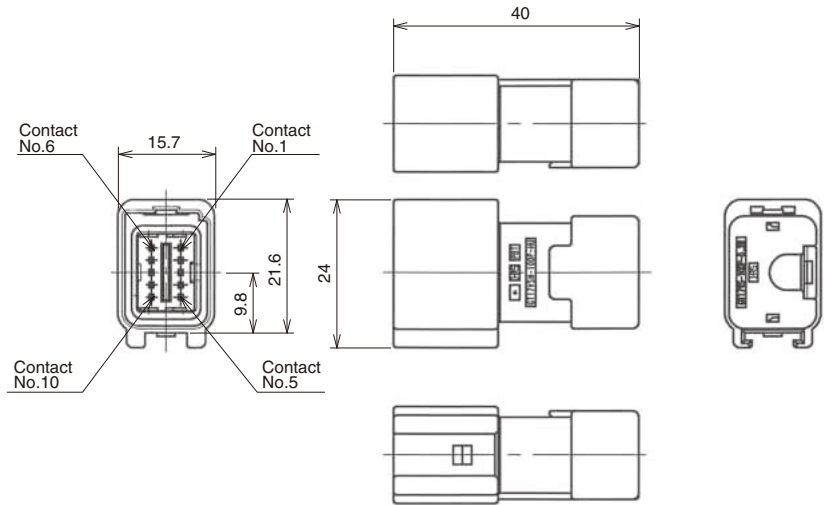
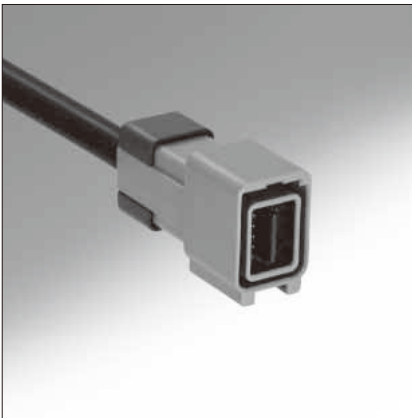
GT17VA-10DP-DSA-SB  
(with enhanced shielding type)

### In Combination with a Straight Connector (Cable Side)



| Part No.            | HRS No.       | Material / Plating or Color   | Packaging | RoHS |
|---------------------|---------------|---|-----------|------|
| GT17VA-10DP-DSA(70) | 767-0068-0 70 | Housing: PBT/Black<br>Center terminal: Brass /Tin plating<br>Outer terminal: Copper alloy /Tin plating                                    | 1         | YES  |
| GT17VA-10DP-DSA-SB  | 767-0174-7    | Housing: PBT/Black<br>Center terminal: Brass /Tin plating<br>Outer terminal: Copper alloy /Tin plating<br>Shield case: Brass /Tin plating |           |      |

## 10 Pos. In-line Connectors



◆The product comprises 6 parts.  
(Housing, insulator case, outer terminal, shield plate, retainer, and center terminal)

● Housing

| Part No.        | HRS No.    | Material / Plating or Color | Packaging | RoHS |
|-----------------|------------|-----------------------------|-----------|------|
| GT17VSN-10DP-HU | 767-0115-8 | PBT / Light Gray            | 1         | YES  |

● Insulator

| Part No.      | HRS No.    | Material / Plating or Color | Packaging | RoHS |
|---------------|------------|-----------------------------|-----------|------|
| GT17V-10DP-2C | 767-0112-0 | PBT / Dark Gray             | 1         | YES  |

● Outer terminal

| Part No.          | HRS No.    | Material / Plating or Color | Outer Diameter | Packaging      | RoHS |
|-------------------|------------|-----------------------------|----------------|----------------|------|
| GT17VS-10DP-5.2CF | 767-0114-5 | Copper alloy / Tin plating  | φ5.0 to 5.4    | 1,224 pcs/pack | YES  |
| GT17VS-10DP-8CF   | 767-0130-1 |                             | φ7.5 to 8.0    |                |      |

● Shield plate

| Part No.       | HRS No.    | Material / Plating or Color | Packaging      | RoHS |
|----------------|------------|-----------------------------|----------------|------|
| GT17VS-10DP-SC | 767-0113-2 | Copper alloy / Tin plating  | 1,224 pcs/pack | YES  |

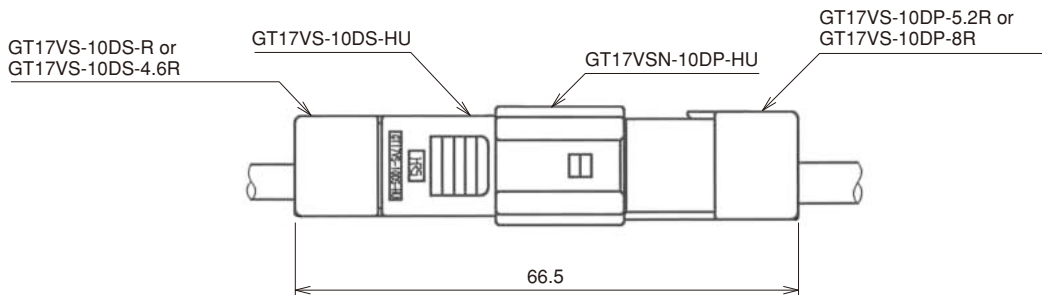
● Retainer

| Part No.         | HRS No.    | Material / Plating or Color | Packaging | RoHS |
|------------------|------------|-----------------------------|-----------|------|
| GT17VS-10DP-5.2R | 767-0111-7 | PBT / Dark Gray             | 1         | YES  |
| GT17VS-10DP-8R   | 767-0131-4 |                             |           |      |

● Center terminal

Used with 6, and 10 pos. cable

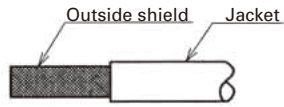
◆Mated condition



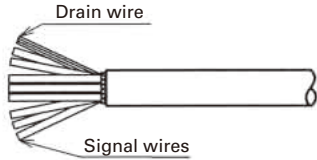


## ◆ Wiring Method

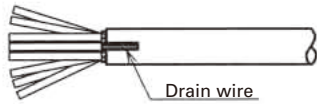
① Strip the Jacket.



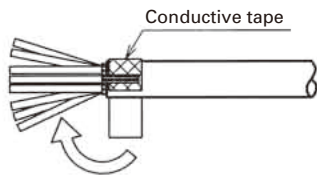
② Cut the shield and intermediate material to expose the wire and braid.



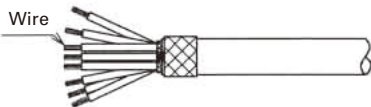
③ Bend back the drain wire over the Jacket.



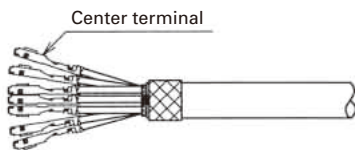
④ Wrap with conductive tape.



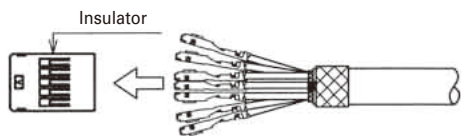
⑤ Strip the wire leads.



⑥ Crimp the center terminals.

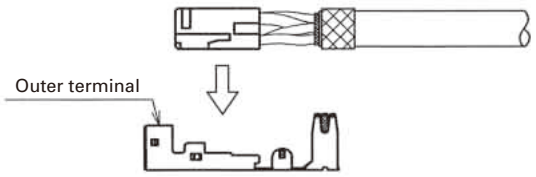


⑦ Insert the center terminals into the insulator.

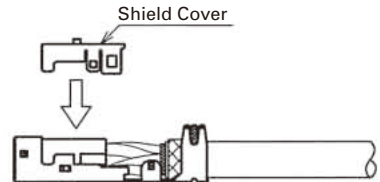


### GT17V-10DS-HU Harness Finish

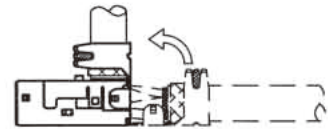
⑧ Insert the insulator into the Outer terminal.



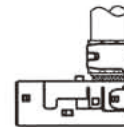
⑨ Insert the Shield Cover.



⑩ Fold back the Outer terminal.



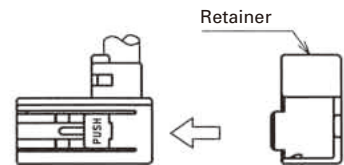
⑪ Crimp the Outer terminal.



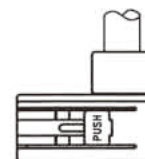
⑫ Insert the Outer terminal into the housing.



⑬ Insert the retainer.



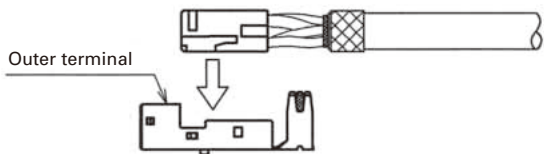
⑭ Completion



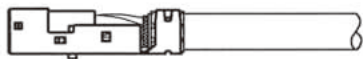
\*Crimp height setting tables are available for each cable type. Please contact your nearest Hirose Electric account representative. Different cables will require different crimp height settings.

**GT17VS-10DS-HU Harness Finish**

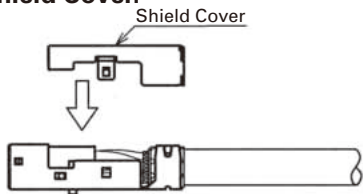
⑧ Insert the insulator into the Outer terminal.



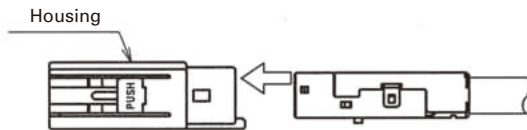
⑨ Crimp the Outer terminal.



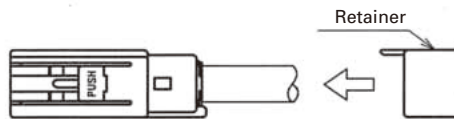
⑩ Insert the Shield Cover.



⑪ Insert the Outer terminal into the housing.



⑫ Insert the retainer.



⑬ Completion



GT5

GT13

GT16

PO5G

GT19

GT21

GT26

GT36

GT11

**GT17**

GT32

GT3

GT7

GT10

GT18W

GT25

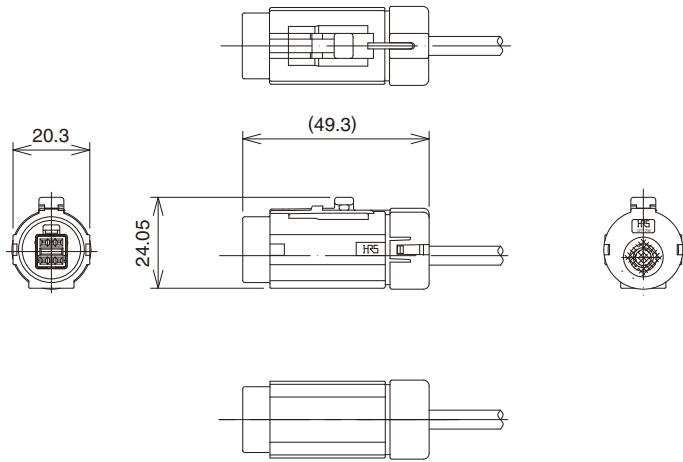
GT8E

GT9

GT15

## ■ 6 pos. In-line Type (Waterproof Type)

### ● F Connectors



◆ The product comprises 6 parts.  
(Housing, insulator, outer terminal, shield plate, and center terminal)

● Housing

| Part No.    | HRS No.    | Material / Plating or Color | Packaging | RoHS |
|-------------|------------|-----------------------------|-----------|------|
| GT17W-6S-HU | 767-0214-0 | PBT / Light Gray            | 1         | YES  |

● Insulator

| Part No.     | HRS No.    | Material / Plating or Color | Packaging | RoHS |
|--------------|------------|-----------------------------|-----------|------|
| GT17V-6DS-2C | 767-0026-0 | PBT / Dark Gray             | 1         | YES  |

● Outer terminal

| Part No.       | HRS No.    | Material / Plating or Color | Outer Diameter | Packaging | RoHS |
|----------------|------------|-----------------------------|----------------|-----------|------|
| GT17VS-6DS-5CF | 767-0050-4 | Copper alloy / Tin plating  | φ4.8 to 5.2    | 1         | YES  |

● Shield plate

| Part No.      | HRS No.    | Material / Plating or Color | Packaging | RoHS |
|---------------|------------|-----------------------------|-----------|------|
| GT17VS-6DS-SC | 767-0049-5 | Copper alloy / Tin plating  | 1         | YES  |

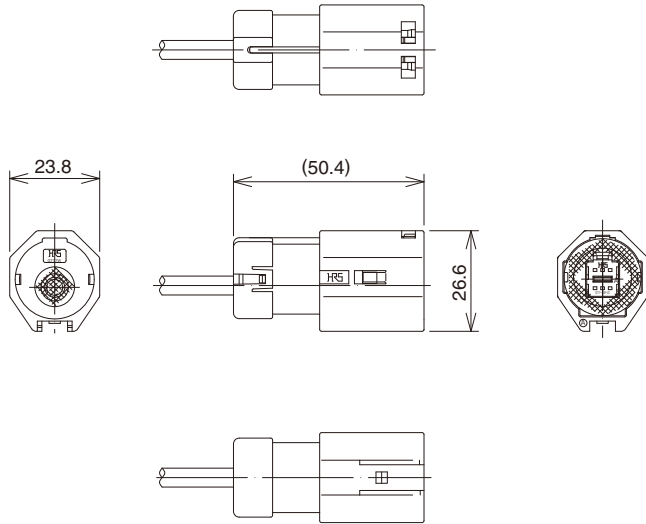
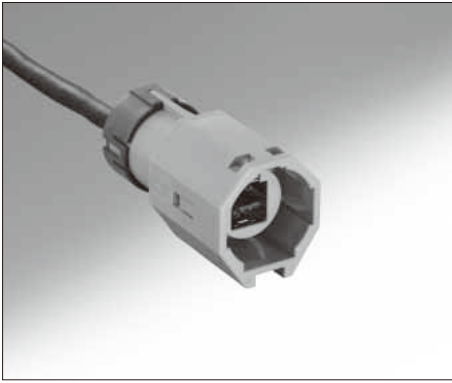
● Retainer

| Part No.     | HRS No.    | Material / Plating or Color      | Packaging | RoHS |
|--------------|------------|----------------------------------|-----------|------|
| GT17W-1P/S-R | 767-0216-5 | PBT / Dark Gray<br>Silicon/White | 1         | YES  |

● Center terminal

Used with 6,8 and 10 Pos. cable

## M Connectors



◆The product comprises 6 parts.  
(Housing, insulator, outer terminal, shield plate, and center terminal)

● Housing

| Part No.     | HRS No.    | Material / Plating or Color         | Packaging | RoHS |
|--------------|------------|-------------------------------------|-----------|------|
| GT17W-6PP-HU | 767-0215-2 | PBT / Light Gray<br>Silicon / White | 1         | YES  |

● Insulator

| Part No.     | HRS No.    | Material / Plating or Color | Packaging | RoHS |
|--------------|------------|-----------------------------|-----------|------|
| GT17V-6DP-2C | 767-0078-3 | PBT / Dark Gray             | 1         | YES  |

● Outer terminal

| Part No.       | HRS No.    | Material / Plating or Color | Outer Diameter | Packaging | RoHS |
|----------------|------------|-----------------------------|----------------|-----------|------|
| GT17VS-6DP-5CF | 767-0080-5 | Copper alloy / Tin plating  | φ4.8 to 5.2    | 1         | YES  |

● Shield plate

| Part No.      | HRS No.    | Material / Plating or Color | Packaging | RoHS |
|---------------|------------|-----------------------------|-----------|------|
| GT17VS-6DP-SC | 767-0079-6 | Copper alloy / Tin plating  | 1         | YES  |

● Retainer

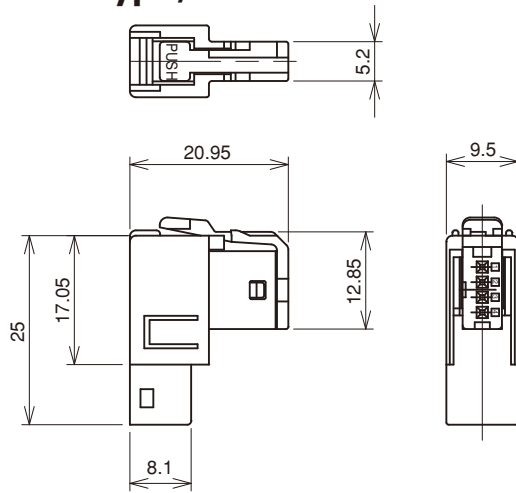
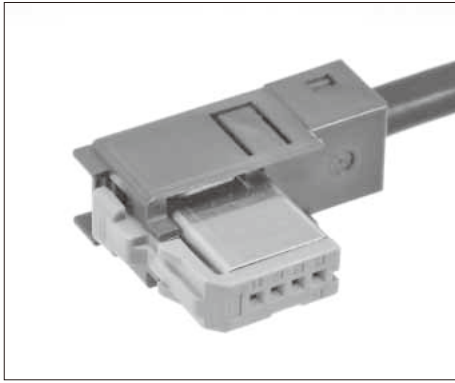
| Part No.     | HRS No.    | Material / Plating or Color        | Packaging | RoHS |
|--------------|------------|------------------------------------|-----------|------|
| GT17W-1P/S-R | 767-0216-5 | PBT / Dark Gray<br>Silicon / White | 1         | YES  |

● Center terminal

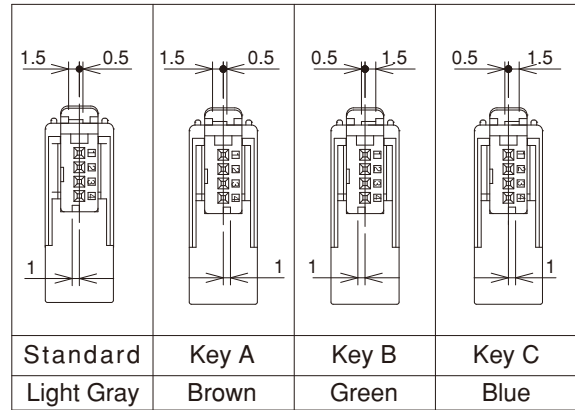
Used with 6, and 10 Pos. cable

- GT5
- GT13
- GT16
- PO5G
- GT19
- GT21
- GT26
- GT36
- GT11
- GT17**
- GT32
- GT3
- GT7
- GT10
- GT18W
- GT25
- GT8E
- GT9
- GT15

## 4 pos. Right-angle Connector (1 Row type)



### Key Variation



◆ The product comprises 5 parts.  
(Housing, insulator, outer terminal, retainer, center terminal)

#### ● Housing

| Part No.     | HRS No.    | Material / Plating or Color | Packaging | Remarks         | RoHS |
|--------------|------------|-----------------------------|-----------|-----------------|------|
| GT17H-4S-HU  | 767-0085-9 | PBT / Dark Gray             | 1         | —               | YES  |
| GT17H2-4S-HU | 767-0245-3 |                             |           | With lock guard |      |

#### ● Insulator

| Part No.       | HRS No.    | Material / Plating or Color | Packaging | RoHS |
|----------------|------------|-----------------------------|-----------|------|
| GT17H-4S-2C    | 767-0084-6 | PBT / Light Gray            | 1         | YES  |
| GT17H-4S-2C(A) | 767-0167-1 | PBT / Brown                 |           |      |
| GT17H-4S-2C(B) | 767-0168-4 | PBT / Green                 |           |      |
| GT17H-4S-2C(C) | 767-0169-7 | PBT / Blue                  |           |      |

#### ● Outer terminal

| Part No.     | HRS No.    | Material / Plating or Color | Outer Diameter | Packaging | RoHS |
|--------------|------------|-----------------------------|----------------|-----------|------|
| GT17H-4S-5CF | 767-0087-4 | Copper alloy / Tin plating  | φ4.8 to 5.2    | 1         | YES  |

#### ● Retainer

| Part No.   | HRS No.    | Material / Plating or Color | Packaging | RoHS |
|------------|------------|-----------------------------|-----------|------|
| GT17H-4S-R | 767-0086-1 | PBT / Dark Gray             | 1         | YES  |

#### ● Center terminal

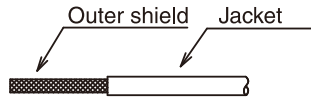
| Part No.        | HRS No.       | Material / Plating or Color   | Conductor Size(AWG) | Outer Diameter | Packaging       | RoHS |
|-----------------|---------------|-------------------------------|---------------------|----------------|-----------------|------|
| GT8-2428SCF(70) | 758-0001-8 70 | Phosphor Bronze / Tin plating | 24 to 28 AWG        | φ0.8 to 1.5    | 10,000 pcs/reel | YES  |

### ◆ Mating Table

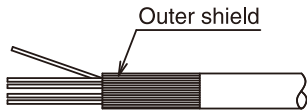
| Color      | Cable side connector     | Board connector          |                 |                  |
|------------|--------------------------|--------------------------|-----------------|------------------|
|            |                          | SMT Type                 | DIP Type        |                  |
|            |                          |                          | Angle Type      | Straight Type    |
| Light Gray | GT17H-4S-ASSY            | GT17H-4P-2H/GT17HR-4P-2H | GT17H-4P-2DS    | GT17H-4P-2DSA    |
| Brown      | GT17H-4S-ASSY(Key typeA) | GT17H-4P-2H(A)           | GT17H-4P-2DS(A) | GT17H-4P-2DSA(A) |
| Green      | GT17H-4S-ASSY(Key typeB) | GT17H-4P-2H(B)           | GT17H-4P-2DS(B) | GT17H-4P-2DSA(B) |
| Blue       | GT17H-4S-ASSY(Key typeC) | GT17H-4P-2H(C)           | GT17H-4P-2DS(C) | GT17H-4P-2DSA(C) |

## ◆ Wiring Method (4 Pos. Right-angle 1 Row Type)

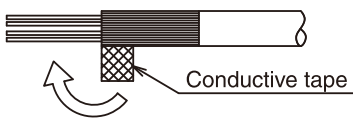
### ① Strip Jacket.



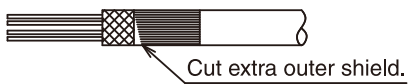
### ② Turn Outer shield to Backward.



### ③ Cover the cable by conductive tape.



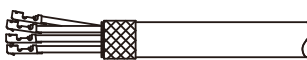
### ④ Cut extra outer shield.



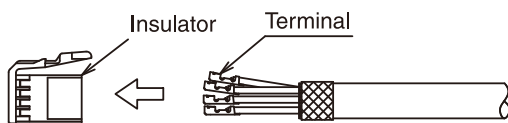
### ⑤ Strip Jacket.



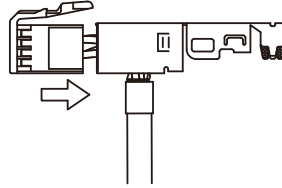
### ⑥ Crimp the terminal.



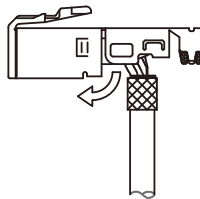
### ⑦ Insert center terminal to the insulator.



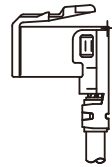
### ⑧ Insert insulator to the outer terminal.



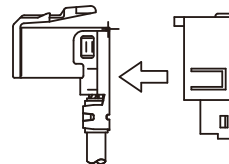
### ⑨ Bent the outer tube terminal.



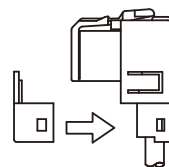
### ⑩ Crimp the outer tube terminal.



### ⑪ Insert the assembled outer tube terminal to the housing.

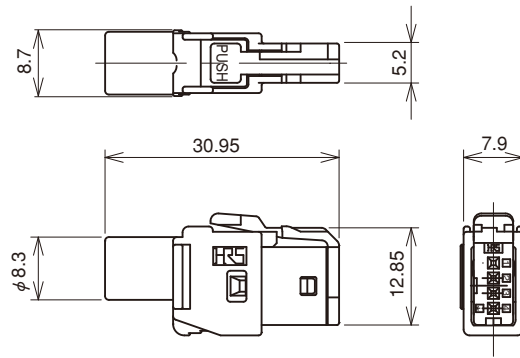
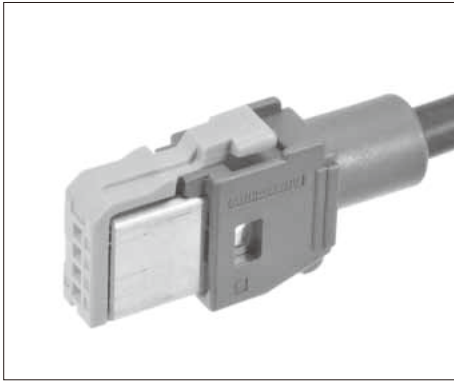


### ⑫ Set the Retainer.



\* Concerning the crimp height of terminals, crimp height settings have been prepared for each type of cable. Please contact a Hirose Electric account representative for further information.  
Please note that new crimp height settings will be made for new cables and that this might take several days.  
terminal insertion jig(GT17-4S/PR-MD)

## ■ 4 Pos. Straight Connectors (1 Row type)



### Key Variation

|            |       |       |       |
|------------|-------|-------|-------|
|            |       |       |       |
| Standard   | Key A | Key B | Key C |
| Light Gray | Brown | Green | Blue  |

◆The product comprises 4 parts.  
(Housing, insulator, outer terminal, center terminal)

#### ● Housing

| Part No.      | HRS No.    | Material / Plating or Color | Packaging | Remarks         | RoHS |
|---------------|------------|-----------------------------|-----------|-----------------|------|
| GT17HS-4S-HU  | 767-0133-0 | PBT / Dark Gray             | 1         | —               | YES  |
| GT17HSK-4S-HU | 767-0244-0 |                             |           | With lock guard |      |

#### ● Insulator

| Part No.       | HRS No.    | Material / Plating or Color | Packaging | RoHS |
|----------------|------------|-----------------------------|-----------|------|
| GT17H-4S-2C    | 767-0084-6 | PBT / Light Gray            | 1         | YES  |
| GT17H-4S-2C(A) | 767-0167-1 | PBT / Brown                 |           |      |
| GT17H-4S-2C(B) | 767-0168-4 | PBT / Green                 |           |      |
| GT17H-4S-2C(C) | 767-0169-7 | PBT / Blue                  |           |      |

#### ● Outer terminal

| Part No.      | HRS No.    | Material / Plating or Color | Outer Diameter | Packaging | RoHS |
|---------------|------------|-----------------------------|----------------|-----------|------|
| GT17HS-4S-5CF | 767-0135-5 | Copper alloy / Tin plating  | φ4.8 to 5.2    | 1         | YES  |

#### ● Center terminal

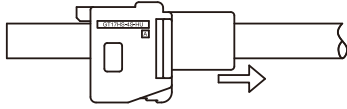
| Part No.        | HRS No.       | Material / Plating or Color   | Conductor Size(AWG) | Outer Diameter | Packaging       | RoHS |
|-----------------|---------------|-------------------------------|---------------------|----------------|-----------------|------|
| GT8-2428SCF(70) | 758-0001-8 70 | Phosphor Bronze / Tin plating | 24 to 28 AWG        | φ0.8 to 1.5    | 10,000 pcs/reel | YES  |

### ◆Mating Table

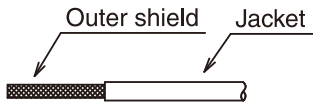
| Color      | Cable side connector     | Board connector          |                 |                  |
|------------|--------------------------|--------------------------|-----------------|------------------|
|            |                          | SMT Type                 | DIP Type        |                  |
|            |                          |                          | Angle Type      | Straight Type    |
| Light Gray | GT17H-4S-ASSY            | GT17H-4P-2H/GT17HR-4P-2H | GT17H-4P-2DS    | GT17H-4P-2DSA    |
| Brown      | GT17H-4S-ASSY(Key typeA) | GT17H-4P-2H(A)           | GT17H-4P-2DS(A) | GT17H-4P-2DSA(A) |
| Green      | GT17H-4S-ASSY(Key typeB) | GT17H-4P-2H(B)           | GT17H-4P-2DS(B) | GT17H-4P-2DSA(B) |
| Blue       | GT17H-4S-ASSY(Key typeC) | GT17H-4P-2H(C)           | GT17H-4P-2DS(C) | GT17H-4P-2DSA(C) |

## ◆ Wiring Method (4 Pos. Straight 1 RowType)

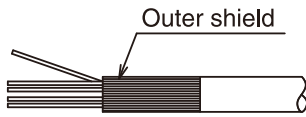
① Insert housing to the cable.



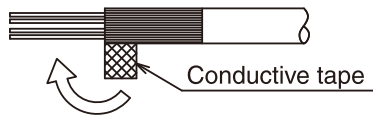
② Strip Jacket.



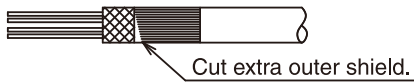
③ Turn Outer shield to backward.



④ Cover the cable by conductive tape.



⑤ Cut extra outer shield.



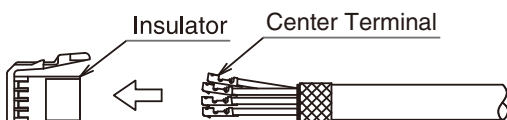
⑥ Strip Jacket.



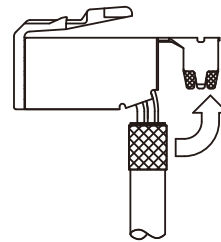
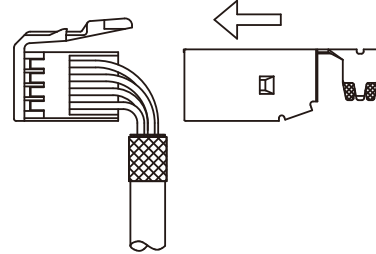
⑦ Crimp the terminal.



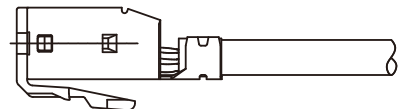
⑧ Insert terminal to the Insulator.



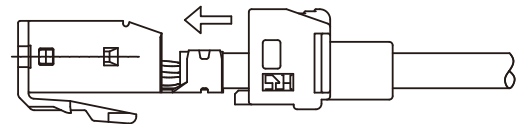
⑨ Set outer tube terminal to the insulator.



⑩ Crimp outer terminal.



⑪ Slide up housing to outer terminal.



⑫ Finish.



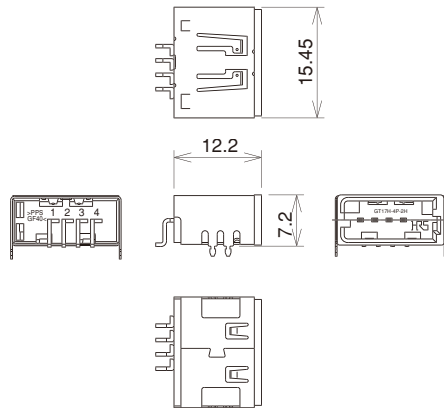
\* Concerning the crimp height of terminals, crimp height settings have been prepared for each type of cable. Please contact a Hirose Electric account representative for further information.  
Please note that new crimp height settings will be made for new cables and that this might take several days.  
terminal insertion jig(GT17-4S/PR-MD)



## ■ 4 Pos. Board Connectors (1 Row type, Right-angle SMT Type, Right side key)



**GT17H-4P-2H**



### Key Variation

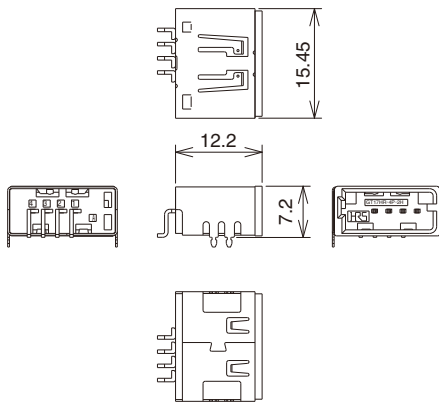
|                        |                |
|------------------------|----------------|
|                        |                |
| Standard<br>Light Gray | Key B<br>Green |
|                        |                |
| Key A<br>Brown         | Key C<br>Blue  |

| Part No.       | HRS No.    | Color      | Material / Plating                      | Packaging    | RoHS |
|----------------|------------|------------|---|--------------|------|
| GT17H-4P-2H    | 767-0083-3 | Light Gray | Housing:PPS                             | 400 pcs/reel | YES  |
| GT17H-4P-2H(A) | 767-0170-6 | Brown      | Center terminal:Brass/Tin plating       |              |      |
| GT17H-4P-2H(B) | 767-0171-9 | Green      | Outer terminal:Copper alloy/Tin plating |              |      |
| GT17H-4P-2H(C) | 767-0172-1 | Blue       |   |              |      |

## ■ 4 Pos. SMT Connector(1 Row type, Left side key)



**GT17HR-4P-2H**



|                        |
|------------------------|
|                        |
| Standard<br>Light Gray |

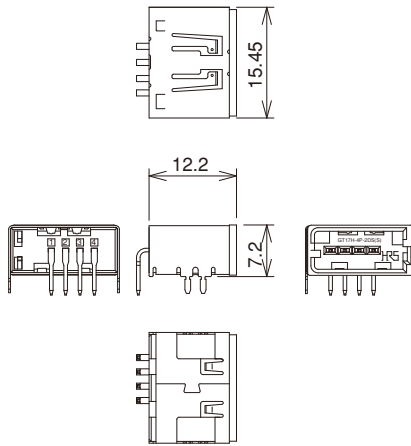
| Part No.     | HRS No.    | Color      | Material / Plating  | Packaging    | RoHS |
|--------------|------------|------------|---|--------------|------|
| GT17HR-4P-2H | 767-0146-1 | Light Gray | Housing:PPS<br>Center terminal:Brass/Tin plating<br>Outer terminal:Copper alloy/Tin plating | 400 pcs/reel | YES  |

GT5  
 GT13  
 GT16  
 PO5G  
 GT19  
 GT21  
 GT26  
 GT36  
 GT11  
**GT17**  
 GT32  
 GT3  
 GT7  
 GT10  
 GT18W  
 GT25  
 GT8E  
 GT9  
 GT15

### ■ 4 Pos. Printed Circuit Board Connector (Right angle DIP type)



**GT17H-4P-2DS**



#### Key Variation

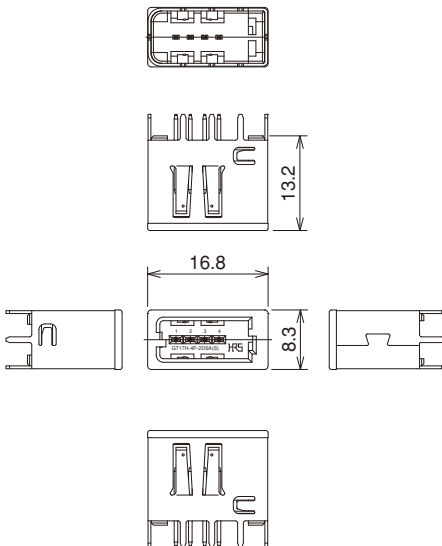
|            |       |
|------------|-------|
|            |       |
| Standard   | Key B |
| Light Gray | Green |
|            |       |
| Key A      | Key C |
| Brown      | Blue  |

| Part No.        | HRS No.    | Color      | Material / Plating  | Packaging   | RoHS |
|-----------------|------------|------------|---|-------------|------|
| GT17H-4P-2DS    | 767-0166-9 | Light Gray | Housing:PPS<br>Center terminal:Brass/Tin plating<br>Outer terminal:Copper alloy/Tin plating | 300pcs/reel | YES  |
| GT17H-4P-2DS(A) | 767-0210-9 | Brown      |   |             |      |
| GT17H-4P-2DS(B) | 767-0211-1 | Green      |   |             |      |
| GT17H-4P-2DS(C) | 767-0212-4 | Blue       |   |             |      |

### ■ 4 Pos. Printed Circuit Board Connector (Straight DIP type)



**GT17H-4P-2DSA**

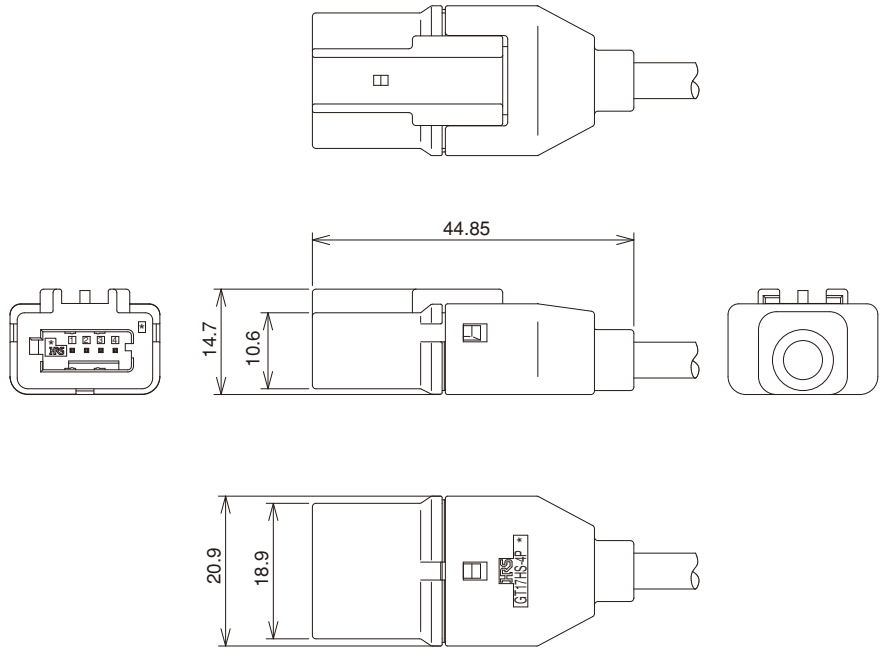
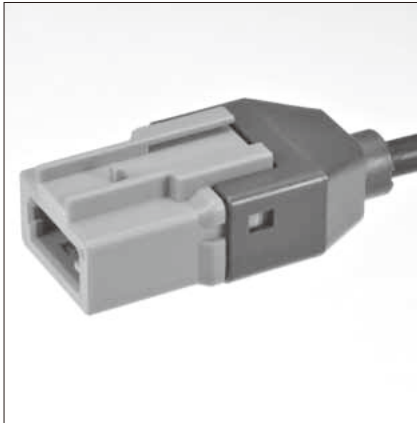


#### Key Variation

|            |       |
|------------|-------|
|            |       |
| Standard   | Key B |
| Light Gray | Green |
|            |       |
| Key A      | Key C |
| Brown      | Blue  |

| Part No.         | HRS No.    | Color      | Material / Plating  | Packaging | RoHS |
|------------------|------------|------------|---|-----------|------|
| GT17H-4P-2DSA    | 767-0181-2 | Light Gray | Housing:PPS<br>Center terminal:Brass/Tin plating<br>Outer terminal:Copper alloy/Tin plating | 1         | YES  |
| GT17H-4P-2DSA(A) | 767-0182-5 | Brown      |   |           |      |
| GT17H-4P-2DSA(B) | 767-0183-8 | Green      |   |           |      |
| GT17H-4P-2DSA(C) | 767-0184-0 | Blue       |   |           |      |

## 4 Pos. In-line Connectors



◆The product comprises 6 parts.  
(Housing, insulator, outer terminal, shield plate, retainer, and center terminal)

● Housing

| Part No.         | HRS No.    | Material / Plating or Color | Packaging | RoHS |
|------------------|------------|-----------------------------|-----------|------|
| GT17HSP-4P-HU    | 767-0158-0 | PBT / Light Gray            | 1         | YES  |
| GT17HSP-4P-HU(A) | 767-0192-9 | PBT / Brown                 |           |      |
| GT17HSP-4P-HU(B) | 767-0193-1 | PBT / Green                 |           |      |
| GT17HSP-4P-HU(C) | 767-0194-4 | PBT / Blue                  |           |      |

● Insulator

| Part No.     | HRS No.    | Material / Plating or Color | Packaging | RoHS |
|--------------|------------|-----------------------------|-----------|------|
| GT17HS-4P-2C | 767-0155-2 | PBT / Light Gray            | 1         | YES  |

● Outer terminal

| Part No.      | HRS No.    | Material / Plating or Color | Outer Diameter | Packaging    | RoHS |
|---------------|------------|-----------------------------|----------------|--------------|------|
| GT17HS-4P-5CF | 767-0156-5 | Copper alloy / Tin plating  | φ4.8 to 5.2    | 800 pcs/reel | YES  |

● Shield plate

| Part No.     | HRS No.    | Material / Plating or Color | Packaging | RoHS |
|--------------|------------|-----------------------------|-----------|------|
| GT17HS-4P-SC | 767-0157-8 | Copper alloy / Tin plating  | 1         | YES  |

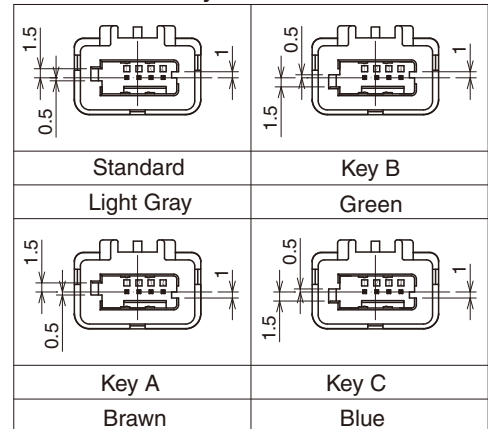
● Retainer

| Part No.    | HRS No.    | Material / Plating or Color | Packaging | RoHS |
|-------------|------------|-----------------------------|-----------|------|
| GT17HS-4P-R | 767-0159-3 | PBT / Dark Gray             | 1         | YES  |

● Center terminal

| Part No.     | HRS No.    | Material / Plating or Color   | Conductor Size(AWG) | Outer Diameter | Packaging       | RoHS |
|--------------|------------|-------------------------------|---------------------|----------------|-----------------|------|
| GT8E-2428PCF | 758-0067-6 | Phosphor Bronze / Tin plating | 24 to 28 AWG        | φ0.9 to 1.1    | 10,000 pcs/reel | YES  |

### Key Variation

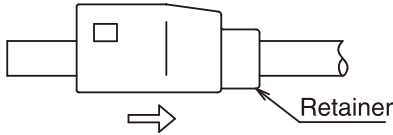


### ◆Mating Table

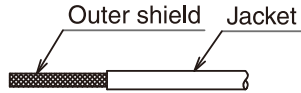
| Color      | GT17HS-4Pos In-line connector | Cable side F connector   |
|------------|-------------------------------|--------------------------|
| Light Gray | GT17HSP-4P-ASSY               | GT17H-4S-ASSY            |
| Brown      | GT17HSP-4P-ASSY(Key typeA)    | GT17H-4S-ASSY(Key typeA) |
| Green      | GT17HSP-4P-ASSY(Key typeB)    | GT17H-4S-ASSY(Key typeB) |
| Blue       | GT17HSP-4P-ASSY(Key typeC)    | GT17H-4S-ASSY(Key typeC) |

## ◆ Wiring Method (4 Pos. In-line Connector)

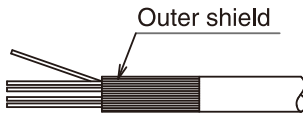
① Insert retainer to the cable.



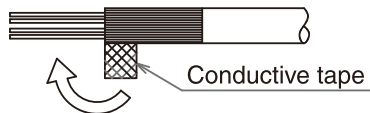
② Strip Jacket.



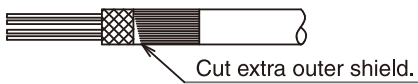
③ Turn Outer shield to backward.



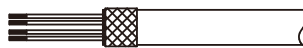
④ Cover the cable by conductive tape.



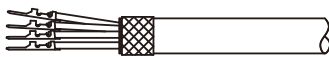
⑤ Cut extra outer shield.



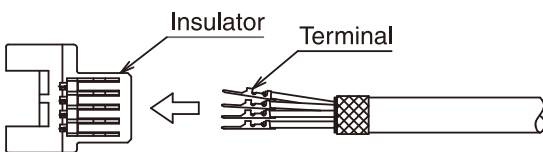
⑥ Strip Jacket.



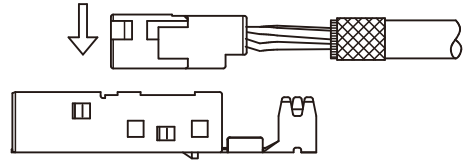
⑦ Crimp the terminal.



⑧ Insert terminal to the Insulator.



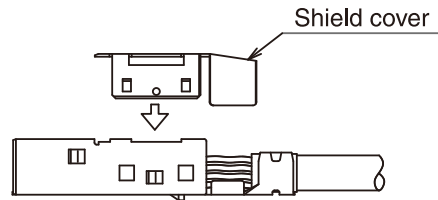
⑨ Set the insulator to the outer tube terminal.



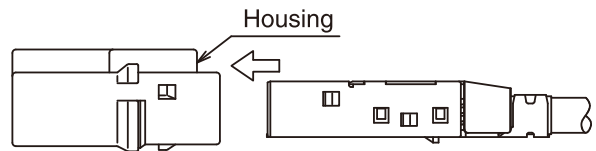
⑩ Crimp the outertube terminal.



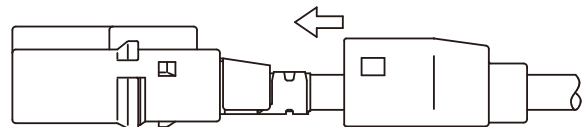
⑪ Set the shield cover to the outer tube terminal.



⑫ Insert the outer tube terminal to the housing.



⑬ Slide up the retainer to the housing.

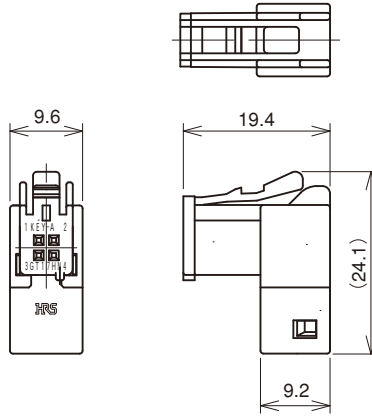
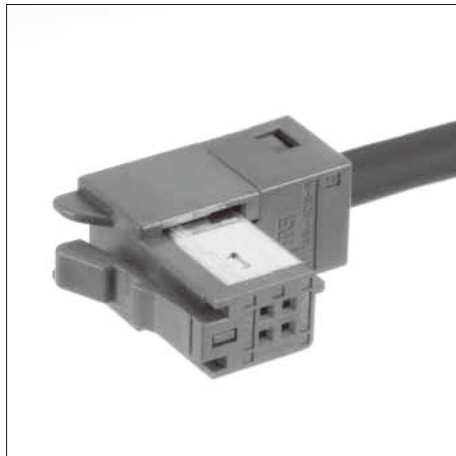


⑭ Finish

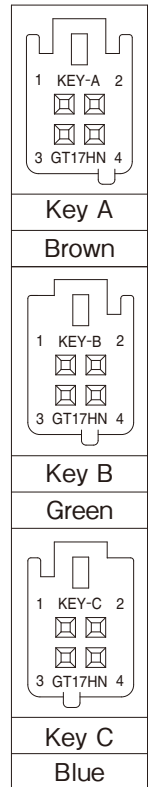


\* Concerning the crimp height of terminals, crimp height settings have been prepared for each type of cable. Please contact a Hirose Electric account representative for further information.  
Please note that new crimp height settings will be made for new cables and that this might take several days.

## 4 Pos. Right-angle Connectors



### Key Variation



◆ The product comprises 5 parts.  
(Housing, insulator, outer terminal, retainer, center terminal)

● Housing

| Part No.      | HRS No.    | Material / Plating or Color | Packaging | RoHS |
|---------------|------------|-----------------------------|-----------|------|
| GT17HN-4DS-HU | 767-0141-8 | PBT / Dark Gray             | 1         | YES  |

● Insulator

| Part No.         | HRS No.    | Material / Plating or Color | Packaging | RoHS |
|------------------|------------|-----------------------------|-----------|------|
| GT17HN-4DS-2C(A) | 767-0140-5 | PBT / Brown                 | 1         | YES  |
| GT17HN-4DS-2C(B) | 767-0147-4 | PBT / Green                 |           |      |
| GT17HN-4DS-2C(C) | 767-0148-7 | PBT / Blue                  |           |      |

● Outer terminal

| Part No.       | HRS No.    | Material / Plating or Color | Outer Diameter | Packaging | RoHS |
|----------------|------------|-----------------------------|----------------|-----------|------|
| GT17HN-4DS-5CF | 767-0142-0 | Copper alloy / Tin plating  | φ4.8 to 5.2    | 1         | YES  |

● Retainer

| Part No.     | HRS No.    | Material / Plating or Color | Packaging | RoHS |
|--------------|------------|-----------------------------|-----------|------|
| GT17HN-4DS-R | 767-0143-3 | PBT / Dark Gray             | 1         | YES  |

● Center terminal

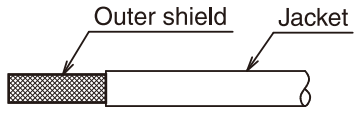
| Part No.        | HRS No.       | Material / Plating or Color   | Conductor Size(AWG) | Outer Diameter | Packaging       | RoHS |
|-----------------|---------------|-------------------------------|---------------------|----------------|-----------------|------|
| GT8-2428SCF(70) | 758-0001-8 70 | Phosphor Bronze / Tin plating | 24 to 28 AWG        | φ0.8 to 1.5    | 10,000 pcs/reel | YES  |

### ◆ Mating Table

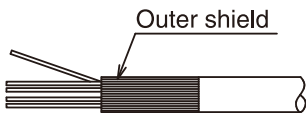
| Color | Cable side connector        | Board connector                                |   |
|-------|-----------------------------|--|---|
|       |                             | SMT Type                                       | DIP Type  |
| Brown | GT17HN-4DS-ASSY (Key typeA) | GT17HN-4DP-2H(A)                               | GT17HJ-4DP-2DSA<br>GT17HG-4DP-2DSA(A)<br>GT17HN-4DP-2DS(A)<br>GT17HNF-4DP-2DS(A)<br>GT17HN-4DP-2DS(A)(10) |
|       |                             | GT17HN-4DP-2H(A)(11)                           |   |
|       |                             | GT17HN-4DP-2H(A)(14)                           |   |
|       |                             | GT17HNR-4DP-2H(A)                              |   |
|       |                             | GT17HNL-4DP-2H(A)                              |   |
|       |                             | GT17HN-4/4DP-2H(AA)<br>GT17HND-4/4DP-2H(AA)    |   |
| Green | GT17HN-4DS-ASSY (Key typeB) | GT17HN-4DP-2H(B)                               | GT17HG-4DP-2DSA(B)<br>GT17HN-4DP-2DS(B)<br>GT17HN-4DP-2DS(B)(10)  |
|       |                             | GT17HN-4DP-2H(B)(11)                           |   |
|       |                             | GT17HN-4DP-2H(B)(14)                           |   |
|       |                             | GT17HNL-4DP-2H(B)                              |   |
|       |                             | GT17HN-4/4DP-2H(BC)(14)<br>GT17HN-4/4DP-2H(BC) |   |
|       |                             | GT17HN-4DP-2H(C)                               |   |
| Blue  | GT17HN-4DS-ASSY (Key typeC) | GT17HN-4DP-2H(C)(11)                           | GT17HG-4DP-2DSA(C)<br>GT17HN-4DP-2DS(C)<br>GT17HN-4DP-2DS(C)(10)  |
|       |                             | GT17HN-4DP-2H(C)(14)                           |   |
|       |                             | GT17HNL-4DP-2H(C)                              |   |
|       |                             | GT17HN-4/4DP-2H(BC)                            |   |
|       |                             | GT17HN-4/4DP-2H(BC)(14)                        |   |
|       |                             | GT17HN-4/4DP-2H(BC)(14)                        |   |

## ◆ Wiring Method (4-Conductor Right-angle Connectors)

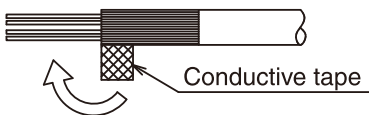
### ① Strip Jacket.



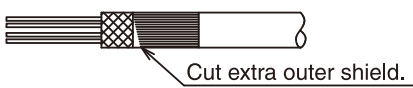
### ② Turn Outer shield to backward.



### ③ Cover the cable by conductive tape.



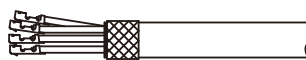
### ④ Cut extra outer shield.



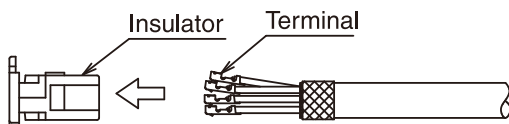
### ⑤ Strip Jacket.



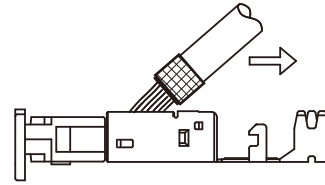
### ⑥ Crimp the terminal.



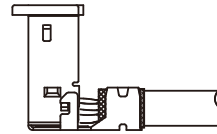
### ⑦ Insert terminal to the Insulator.



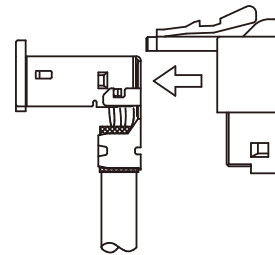
### ⑧ Insert insulator to the Outer tube terminal.



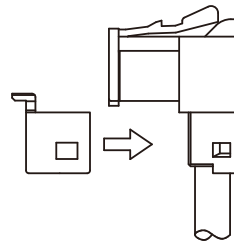
### ⑨ Crimp the outer tube terminal.



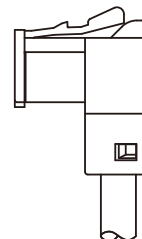
### ⑩ Insert the assembled outer tube terminal to the housing.



### ⑪ Set the Retainer.

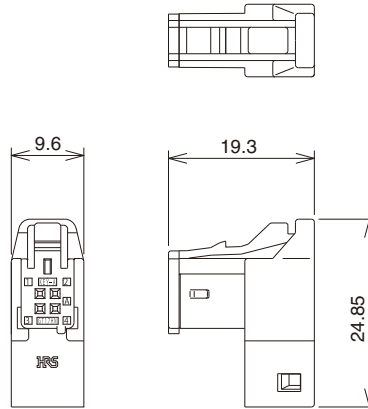


### ⑫ Finish.

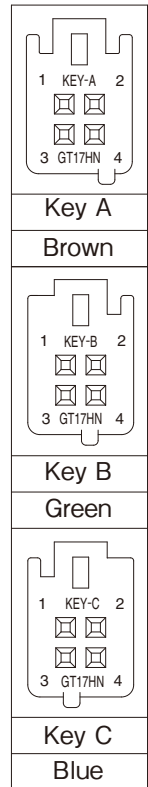


\* Concerning the crimp height of terminals, crimp height settings have been prepared for each type of cable. Please contact a Hirose Electric account representative for further information.  
Please note that new crimp height settings will be made for new cables and that this might take several days.

## 4 Pos. Right-angle Connectors (downward) With lock guard



### Key Variation



◆ The product comprises 5 parts.  
(Housing, insulator, outer terminal, retainer, center terminal)

● Housing

| Part No.       | HRS No.    | Material / Plating or Color | Packaging | RoHS |
|----------------|------------|-----------------------------|-----------|------|
| GT17HN2-4DS-HU | 767-0264-8 | PBT / Dark Gray             | 1         | YES  |

● Insulator

| Part No.         | HRS No.    | Material / Plating or Color | Packaging | RoHS |
|------------------|------------|-----------------------------|-----------|------|
| GT17HN-4DS-2C(A) | 767-0140-5 | PBT / Brown                 | 1         | YES  |
| GT17HN-4DS-2C(B) | 767-0147-4 | PBT / Green                 |           |      |
| GT17HN-4DS-2C(C) | 767-0148-7 | PBT / Blue                  |           |      |

● Outer terminal

| Part No.        | HRS No.    | Material / Plating or Color | Outer Diameter | Packaging | RoHS |
|-----------------|------------|-----------------------------|----------------|-----------|------|
| GT17HNX-4DS-5CF | 767-0179-0 | Copper alloy / Tin plating  | φ4.8 to 5.2    | 1         | YES  |

● Retainer

| Part No.      | HRS No.    | Material / Plating or Color | Packaging | RoHS |
|---------------|------------|-----------------------------|-----------|------|
| GT17HN2-4DS-R | 767-0268-9 | PBT / Dark Gray             | 1         | YES  |

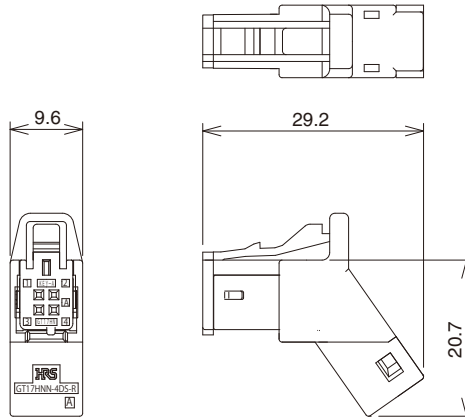
● Center terminal

| Part No.        | HRS No.       | Material / Plating or Color   | Conductor Size(AWG) | Outer Diameter | Packaging       | RoHS |
|-----------------|---------------|-------------------------------|---------------------|----------------|-----------------|------|
| GT8-2428SCF(70) | 758-0001-8 70 | Phosphor Bronze / Tin plating | 24 to 28 AWG        | φ0.8 to 1.5    | 10,000 pcs/reel | YES  |

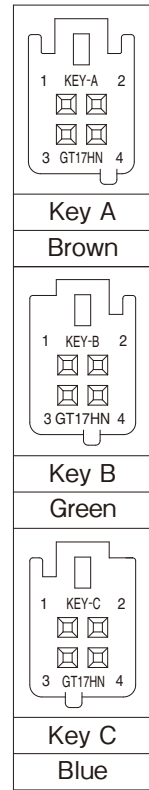
### ◆ Mating Table

| Color | Cable side connector        | Board connector         |   |
|-------|-----------------------------|-------------------------|---|
|       |                             | SMT Type                | DIP Type  |
| Brown | GT17HN2-4DS-ASSY(Key typeA) | GT17HN-4DP-2H(A)        | GT17HJ-4DP-2DSA<br>GT17HG-4DP-2DSA(A)<br>GT17HN-4DP-2DS(A)<br>GT17HNF-4DP-2DS(A)<br>GT17HN-4DP-2DS(A)(10) |
|       |                             | GT17HN-4DP-2H(A)(11)    |   |
|       |                             | GT17HN-4DP-2H(A)(14)    |   |
|       |                             | GT17HNR-4DP-2H(A)       |   |
|       |                             | GT17HNL-4DP-2H(A)       |   |
|       |                             | GT17HN-4/4DP-2H(AA)     |   |
| Green | GT17HN2-4DS-ASSY(Key typeB) | GT17HN-4DP-2H(B)        | GT17HG-4DP-2DSA(B)<br>GT17HN-4DP-2DS(B)<br>GT17HN-4DP-2DS(B)(10)  |
|       |                             | GT17HN-4DP-2H(B)(11)    |   |
|       |                             | GT17HN-4DP-2H(B)(14)    |   |
|       |                             | GT17HNL-4DP-2H(B)       |   |
|       |                             | GT17HN-4/4DP-2H(BC)(14) |   |
|       |                             | GT17HN-4/4DP-2H(BC)     |   |
| Blue  | GT17HN2-4DS-ASSY(Key typeC) | GT17HN-4DP-2H(C)        | GT17HG-4DP-2DSA(C)<br>GT17HN-4DP-2DS(C)<br>GT17HN-4DP-2DS(C)(10)  |
|       |                             | GT17HN-4DP-2H(C)(11)    |   |
|       |                             | GT17HN-4DP-2H(C)(14)    |   |
|       |                             | GT17HNL-4DP-2H(C)       |   |
|       |                             | GT17HN-4/4DP-2H(BC)     |   |
|       |                             | GT17HN-4/4DP-2H(BC)(14) |   |

## ■ Plug Connectors 4 Pos. 45 degree angle type



### Key Variation



◆The product comprises 5 parts.  
(Housing, insulator, outer terminal, retainer, center terminal)

● Housing

| Part No.       | HRS No.    | Material / Plating or Color | Packaging | RoHS |
|----------------|------------|-----------------------------|-----------|------|
| GT17HNN-4DS-HU | 767-0187-9 | PBT / Dark Gray             | 1         | YES  |

● Insulator

| Part No.         | HRS No.    | Material / Plating or Color | Packaging | RoHS |
|------------------|------------|-----------------------------|-----------|------|
| GT17HN-4DS-2C(A) | 767-0140-5 | PBT / Brown                 | 1         | YES  |
| GT17HN-4DS-2C(B) | 767-0147-4 | PBT / Green                 |           |      |
| GT17HN-4DS-2C(C) | 767-0148-7 | PBT / Blue                  |           |      |

● Outer terminal

| Part No.        | HRS No.    | Material / Plating or Color | Outer Diameter | Packaging | RoHS |
|-----------------|------------|-----------------------------|----------------|-----------|------|
| GT17HNN-4DS-5CF | 767-0189-4 | Copper alloy / Tin plating  | φ4.8 to 5.2    | 1         | YES  |

● Retainer

| Part No.      | HRS No.    | Material / Plating or Color | Packaging | RoHS |
|---------------|------------|-----------------------------|-----------|------|
| GT17HNN-4DS-R | 767-0188-1 | PBT / Dark Gray             | 1         | YES  |

● Center terminal

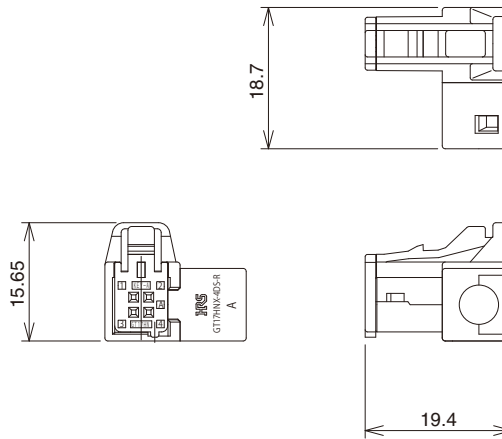
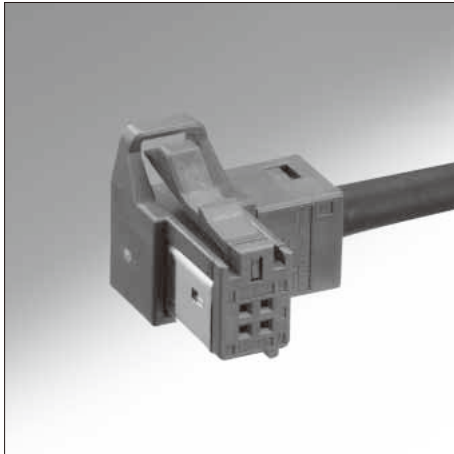
| Part No.        | HRS No.       | Material / Plating or Color   | Conductor Size(AWG) | Outer Diameter | Packaging       | RoHS |
|-----------------|---------------|-------------------------------|---------------------|----------------|-----------------|------|
| GT8-2428SCF(70) | 758-0001-8 70 | Phosphor Bronze / Tin plating | 24 to 28 AWG        | φ0.8 to 1.5    | 10,000 pcs/reel | YES  |

◆ Mating Table

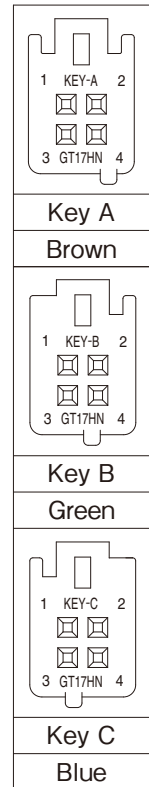
| Color | Cable side connector        | Board connector   |   |
|-------|-----------------------------|---|---|
|       |                             | SMT Type  | DIP Type  |
| Brown | GT17HNN-4DS-ASSY(Key typeA) | GT17HN-4DP-2H(A)  | GT17HJ-4DP-2DSA<br>GT17HG-4DP-2DSA(A)<br>GT17HN-4DP-2DS(A)<br>GT17HNF-4DP-2DS(A)<br>GT17HN-4DP-2DS(A)(10) |
|       |                             | GT17HN-4DP-2H(A)(11)  |   |
|       |                             | GT17HN-4DP-2H(A)(14)  |   |
|       |                             | GT17HNR-4DP-2H(A)   |   |
|       |                             | GT17HNL-4DP-2H(A)   |   |
|       |                             | GT17HN-4/4DP-2H(AA)<br>GT17HND-4/4DP-2H(AA)   |   |
| Green | GT17HNN-4DS-ASSY(Key typeB) | GT17HN-4DP-2H(B)  | GT17HG-4DP-2DSA(B)<br>GT17HN-4DP-2DS(B)<br>GT17HN-4DP-2DS(B)(10)  |
|       |                             | GT17HN-4DP-2H(B)(11)  |   |
|       |                             | GT17HN-4DP-2H(B)(14)  |   |
|       |                             | GT17HNL-4DP-2H(B)   |   |
|       |                             | GT17HN-4/4DP-2H(BC)(14)<br>GT17HN-4/4DP-2H(BC)  |   |
|       |                             | GT17HN-4DP-2H(C)<br>GT17HN-4DP-2H(C)(11)<br>GT17HN-4DP-2H(C)(14)<br>GT17HNL-4DP-2H(C)<br>GT17HN-4/4DP-2H(BC)<br>GT17HN-4/4DP-2H(BC)(14) |   |
| Blue  | GT17HNN-4DS-ASSY(Key typeC) | GT17HN-4DP-2H(C)  | GT17HG-4DP-2DSA(C)<br>GT17HN-4DP-2DS(C)<br>GT17HN-4DP-2DS(C)(10)  |
|       |                             | GT17HN-4DP-2H(C)(11)  |   |
|       |                             | GT17HN-4DP-2H(C)(14)  |   |
|       |                             | GT17HNL-4DP-2H(C)   |   |
|       |                             | GT17HN-4/4DP-2H(BC)<br>GT17HN-4/4DP-2H(BC)(14)  |   |



## ■ Plug 4 Pos. Right angle (leftward)



### Key Variation



◆The product comprises 5 parts.  
(Housing, insulator, outer terminal, retainer, center terminal)

● Housing

| Part No.       | HRS No.       | Material / Plating or Color | Packaging | RoHS |
|----------------|---------------|-----------------------------|-----------|------|
| GT17HNL-4DS-HU | 767-0302-5 00 | PBT / Dark Gray             | 1         | YES  |

● Insulator

| Part No.         | HRS No.    | Material / Plating or Color | Packaging | RoHS |
|------------------|------------|-----------------------------|-----------|------|
| GT17HN-4DS-2C(A) | 767-0140-5 | PBT / Brown                 | 1         | YES  |
| GT17HN-4DS-2C(B) | 767-0147-4 | PBT / Green                 |           |      |
| GT17HN-4DS-2C(C) | 767-0148-7 | PBT / Blue                  |           |      |

● Outer terminal

| Part No.        | HRS No.       | Material / Plating or Color | Packaging | RoHS |
|-----------------|---------------|-----------------------------|-----------|------|
| GT17HNL-4DS-5CF | 767-0301-2 00 | Copper alloy / Tin plating  | 1         | YES  |

● Retainer

| Part No.      | HRS No.       | Material / Plating or Color | Outer Diameter | Packaging | RoHS |
|---------------|---------------|-----------------------------|----------------|-----------|------|
| GT17HNX-4DS-R | 767-0180-0 00 | PBT / Dark Gray             | φ 4.8 to 5.2   | 1         | YES  |

● Center terminal

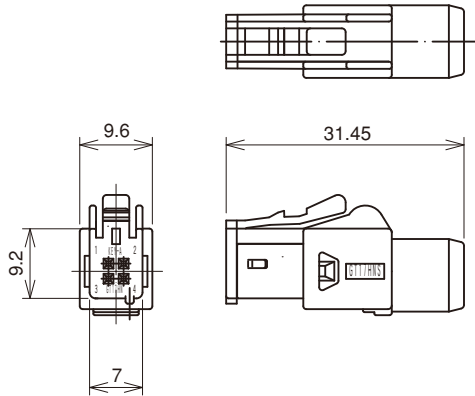
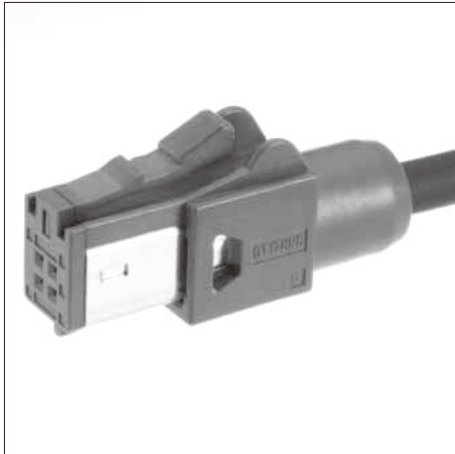
| Part No.        | HRS No.       | Material / Plating or Color   | Conductor Size(AWG) | Outer Diameter | Packaging       | RoHS |
|-----------------|---------------|-------------------------------|---------------------|----------------|-----------------|------|
| GT8-2428SCF(70) | 758-0001-8 70 | Phosphor Bronze / Tin plating | 24 to 28 AWG        | φ 0.8 to 1.5   | 10,000 pcs/reel | YES  |

### ◆ Mating Table

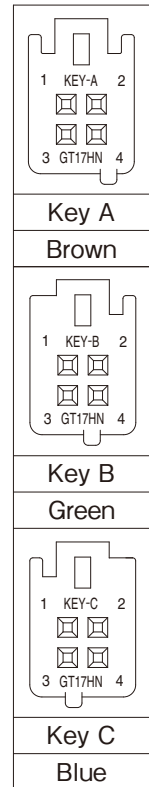
| Color | Cable side connector        | Board connector                             |  |
|-------|-----------------------------|---|--|
|       |                             | SMT Type                                    | DIP Type   |
| Brown | GT17HNL-4DS-ASSY(Key TypeA) | GT17HN-4DP-2H(A)                            | GT17HJ-4DP-2DSA<br>GT17HG-4DP-2DSA(A)<br>GT17HN-4DP-2DS(A)<br>GT17HNF-4DP-2DS(A)<br>GT17HN-4DP-2DS(A)(10)      |
|       |                             | GT17HN-4DP-2H(A)(11)                        |  |
|       |                             | GT17HN-4DP-2H(A)(14)                        |  |
|       |                             | GT17HNR-4DP-2H(A)                           |  |
|       |                             | GT17HNL-4DP-2H(A)                           |  |
|       |                             | GT17HN-4/4DP-2H(AA)<br>GT17HND-4/4DP-2H(AA) |  |
| Green | GT17HNL-4DS-ASSY(Key TypeB) | GT17HN-4DP-2H(B)                            | GT17HG-4DP-2DSA(B)<br>GT17HN-4DP-2DS(B)<br>GT17HNL-4DP-2H(B)<br>GT17HN-4/4DP-2H(BC)(14)<br>GT17HN-4/4DP-2H(BC) |
|       |                             | GT17HN-4DP-2H(B)(11)                        |  |
|       |                             | GT17HN-4DP-2H(B)(14)                        |  |
|       |                             | GT17HNL-4DP-2H(B)                           |  |
|       |                             | GT17HN-4/4DP-2H(BC)(14)                     |  |
|       |                             | GT17HN-4/4DP-2H(BC)                         |  |
| Blue  | GT17HNL-4DS-ASSY(Key TypeC) | GT17HN-4DP-2H(C)                            | GT17HG-4DP-2DSA(C)<br>GT17HN-4DP-2DS(C)<br>GT17HNL-4DP-2H(C)<br>GT17HN-4/4DP-2H(BC)<br>GT17HN-4/4DP-2H(BC)(14) |
|       |                             | GT17HN-4DP-2H(C)(11)                        |  |
|       |                             | GT17HN-4DP-2H(C)(14)                        |  |
|       |                             | GT17HNL-4DP-2H(C)                           |  |
|       |                             | GT17HN-4/4DP-2H(BC)                         |  |
|       |                             | GT17HN-4/4DP-2H(BC)(14)                     |  |

GT5  
 GT13  
 GT16  
 PO5G  
 GT19  
 GT21  
 GT26  
 GT36  
 GT11  
**GT17**  
 GT32  
 GT3  
 GT7  
 GT10  
 GT18W  
 GT25  
 GT8E  
 GT9  
 GT15

## 4-Conductor Straight Connectors



### Key Variation



◆The product comprises 4 parts.  
(Housing, insulator, outer terminal, center terminal)

● Housing

| Part No.       | HRS No.    | Material / Plating or Color | Packaging | RoHS |
|----------------|------------|-----------------------------|-----------|------|
| GT17HNS-4DS-HU | 767-0150-9 | PBT / Dark Gray             | 1         | YES  |

● Insulator

| Part No.         | HRS No.    | Material / Plating or Color | Packaging | RoHS |
|------------------|------------|-----------------------------|-----------|------|
| GT17HN-4DS-2C(A) | 767-0140-5 | PBT / Brown                 | 1         | YES  |
| GT17HN-4DS-2C(B) | 767-0147-4 | PBT / Green                 |           |      |
| GT17HN-4DS-2C(C) | 767-0148-7 | PBT / Blue                  |           |      |

● Outer terminal

| Part No.        | HRS No.    | Material / Plating or Color | Outer Diameter | Packaging | RoHS |
|-----------------|------------|-----------------------------|----------------|-----------|------|
| GT17HNS-4DS-5CF | 767-0151-1 | Copper alloy / Tin plating  | φ 4.8 to 5.2   | 1         | YES  |

● Center terminal

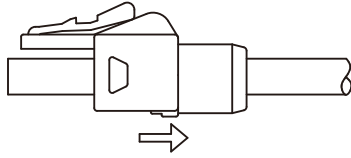
| Part No.        | HRS No.       | Material / Plating or Color   | Conductor Size(AWG) | Outer Diameter | Packaging       | RoHS |
|-----------------|---------------|-------------------------------|---------------------|----------------|-----------------|------|
| GT8-2428SCF(70) | 758-0001-8 70 | Phosphor Bronze / Tin plating | 24 to 28 AWG        | φ 0.8 to 1.5   | 10,000 pcs/reel | YES  |

◆Mating Table

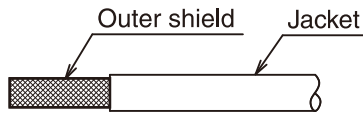
| Color | Cable side connector        | Board connector         |   |
|-------|-----------------------------|-------------------------|---|
|       |                             | SMT Type                | DIP Type  |
| Brown | GT17HNS-4DS-ASSY(Key TypeA) | GT17HN-4DP-2H(A)        | GT17HJ-4DP-2DSA<br>GT17HG-4DP-2DSA(A)<br>GT17HN-4DP-2DS(A)<br>GT17HNF-4DP-2DS(A)<br>GT17HN-4DP-2DS(A)(10) |
|       |                             | GT17HN-4DP-2H(A)(11)    |   |
|       |                             | GT17HN-4DP-2H(A)(14)    |   |
|       |                             | GT17HNR-4DP-2H(A)       |   |
|       |                             | GT17HNL-4DP-2H(A)       |   |
|       |                             | GT17HN-4/4DP-2H(AA)     |   |
| Green | GT17HNS-4DS-ASSY(Key TypeB) | GT17HN-4DP-2H(B)        | GT17HG-4DP-2DSA(B)<br>GT17HN-4DP-2DS(B)<br>GT17HN-4DP-2DS(B)(10)  |
|       |                             | GT17HN-4DP-2H(B)(11)    |   |
|       |                             | GT17HN-4DP-2H(B)(14)    |   |
|       |                             | GT17HNL-4DP-2H(B)       |   |
|       |                             | GT17HN-4/4DP-2H(BC)(14) |   |
|       |                             | GT17HN-4/4DP-2H(BC)     |   |
| Blue  | GT17HNS-4DS-ASSY(Key TypeC) | GT17HN-4DP-2H(C)        | GT17HG-4DP-2DSA(C)<br>GT17HN-4DP-2DS(C)<br>GT17HN-4DP-2DS(C)(10)  |
|       |                             | GT17HN-4DP-2H(C)(11)    |   |
|       |                             | GT17HN-4DP-2H(C)(14)    |   |
|       |                             | GT17HNL-4DP-2H(C)       |   |
|       |                             | GT17HN-4/4DP-2H(BC)     |   |
|       |                             | GT17HN-4/4DP-2H(BC)(14) |   |

## ◆ Wiring Method (4-Conductor Straight Connectors)

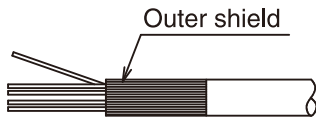
- ① Insert housing to the cable.



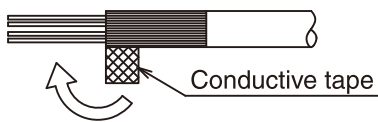
- ② Strip Jacket.



- ③ Turn Outer shield to backward.



- ④ Cover the cable by conductive tape.



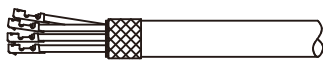
- ⑤ Cut extra outer shield.



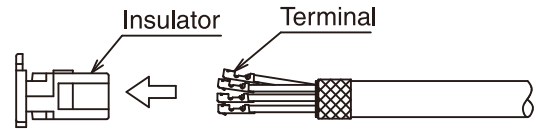
- ⑥ Strip Jacket.



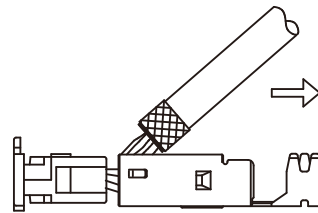
- ⑦ Crimp the terminal.



- ⑧ Insert center terminal to the Insulator.



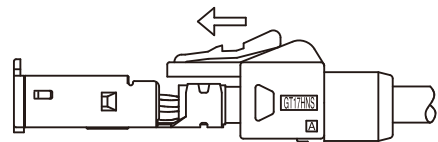
- ⑨ Set outer tube terminal to the insulator.



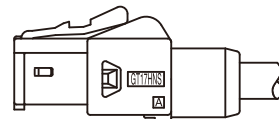
- ⑩ Crimp outertube terminal.



- ⑪ Slide up housing to outer tube terminal.

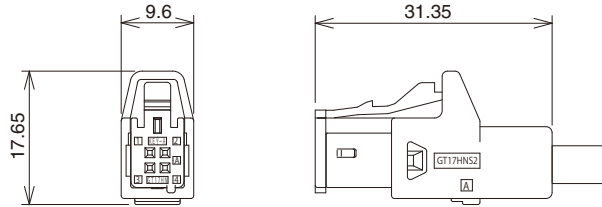


- ⑫ Finish.

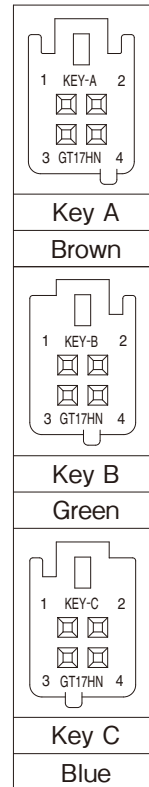


\* Concerning the crimp height of terminals, crimp height settings have been prepared for each type of cable. Please contact a Hirose Electric account representative for further information.  
Please note that new crimp height settings will be made for new cables and that this might take several days.

## 4 Pos. Straight plug Connector With lock guard



### Key Variation



◆ The product comprises 4 parts.  
(Housing, insulator, outer terminal, center terminal)

● Housing

| Part No.        | HRS No.    | Material / Plating or Color | Packaging | RoHS |
|-----------------|------------|-----------------------------|-----------|------|
| GT17HNS2-4DS-HU | 767-0190-3 | PBT / Dark Gray             | 1         | YES  |

● Insulator

| Part No.         | HRS No.    | Material / Plating or Color | Packaging | RoHS |
|------------------|------------|-----------------------------|-----------|------|
| GT17HN-4DS-2C(A) | 767-0140-5 | PBT / Brown                 | 1         | YES  |
| GT17HN-4DS-2C(B) | 767-0147-4 | PBT / Green                 |           |      |
| GT17HN-4DS-2C(C) | 767-0148-7 | PBT / Blue                  |           |      |

● Outer terminal

| Part No.        | HRS No.    | Material / Plating or Color | Outer Diameter | Packaging | RoHS |
|-----------------|------------|-----------------------------|----------------|-----------|------|
| GT17HNS-4DS-5CF | 767-0151-1 | Copper alloy / Tin plating  | φ 4.8 to 5.2   | 1         | YES  |

● Center terminal

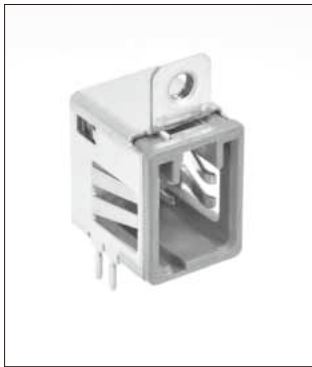
| Part No.        | HRS No.       | Material / Plating or Color   | Conductor Size(AWG) | Outer Diameter | Packaging       | RoHS |
|-----------------|---------------|-------------------------------|---------------------|----------------|-----------------|------|
| GT8-2428SCF(70) | 758-0001-8 70 | Phosphor Bronze / Tin plating | 24 to 28 AWG        | φ 0.8 to 1.5   | 10,000 pcs/reel | YES  |

### ◆ Mating Table

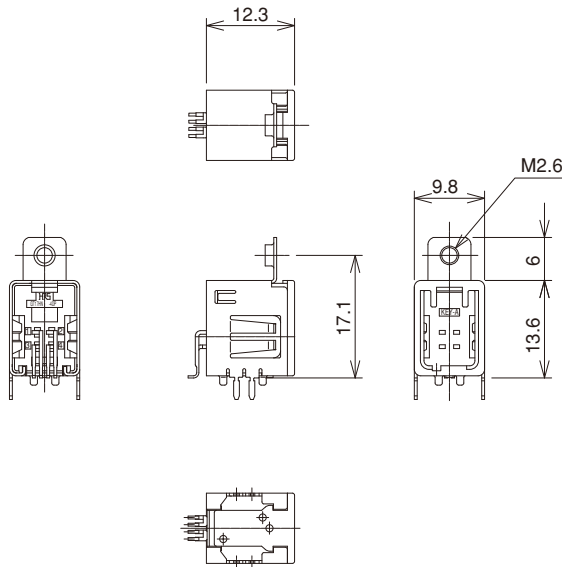
| Color | Cable side connector         | Board connector   |   |
|-------|------------------------------|---|---|
|       |                              | SMT Type  | DIP Type  |
| Brown | GT17HNS2-4DS-ASSY(Key typeA) | GT17HN-4DP-2H(A)<br>GT17HN-4DP-2H(A)(11)<br>GT17HN-4DP-2H(A)(14)<br>GT17HNR-4DP-2H(A)<br>GT17HNL-4DP-2H(A)<br>GT17HN-4/4DP-2H(AA)<br>GT17HND-4/4DP-2H(AA) | GT17HJ-4DP-2DSA<br>GT17HG-4DP-2DSA(A)<br>GT17HN-4DP-2DS(A)<br>GT17HNF-4DP-2DS(A)<br>GT17HN-4DP-2DS(A)(10) |
| Green | GT17HNS2-4DS-ASSY(Key typeB) | GT17HN-4DP-2H(B)<br>GT17HN-4DP-2H(B)(11)<br>GT17HN-4DP-2H(B)(14)<br>GT17HNL-4DP-2H(B)<br>GT17HN-4/4DP-2H(BC)(14)<br>GT17HN-4/4DP-2H(BC)                   | GT17HG-4DP-2DSA(B)<br>GT17HN-4DP-2DS(B)<br>GT17HN-4DP-2DS(B)(10)  |
| Blue  | GT17HNS2-4DS-ASSY(Key typeC) | GT17HN-4DP-2H(C)<br>GT17HN-4DP-2H(C)(11)<br>GT17HN-4DP-2H(C)(14)<br>GT17HNL-4DP-2H(C)<br>GT17HN-4/4DP-2H(BC)<br>GT17HN-4/4DP-2H(BC)(14)                   | GT17HG-4DP-2DSA(C)<br>GT17HN-4DP-2DS(C)<br>GT17HN-4DP-2DS(C)(10)  |

## 4 pos. SMT Connector

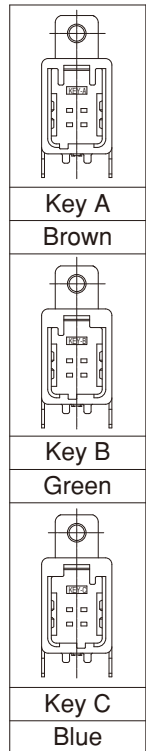
● With M2.6 screw flange



GT17HN-4DP-2H(A)



Key Variation

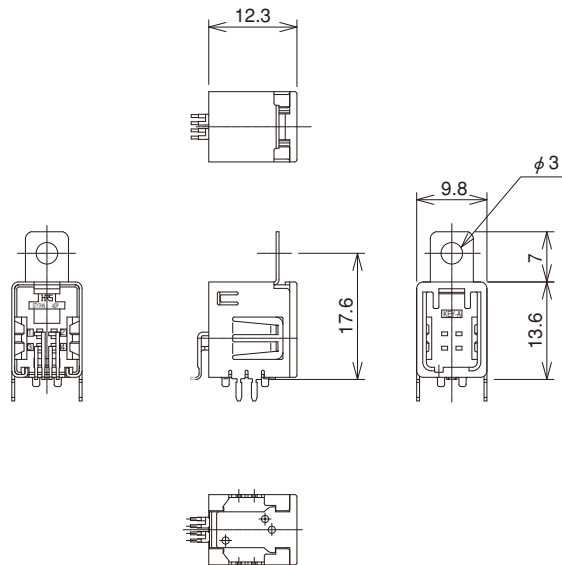


| Part No.         | HRS No.    | Color | Material / Plating                      | Packaging | RoHS |
|------------------|------------|-------|---|-----------|------|
| GT17HN-4DP-2H(A) | 767-0144-6 | Brown | Housing:PPS                             | 1         | YES  |
| GT17HN-4DP-2H(B) | 767-0175-0 | Green | Center terminal:Brass/Tin plating       |           |      |
| GT17HN-4DP-2H(C) | 767-0176-2 | Blue  | Outer terminal:Copper alloy/Tin plating |           |      |

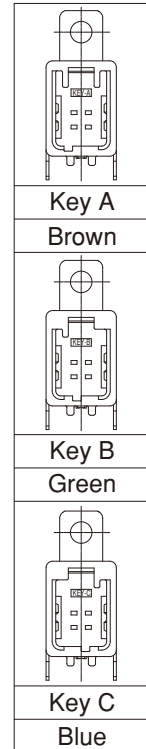
● With 3.0 dia. hole flange



GT17HN-4DP-2H(A)(11)



Key Variation

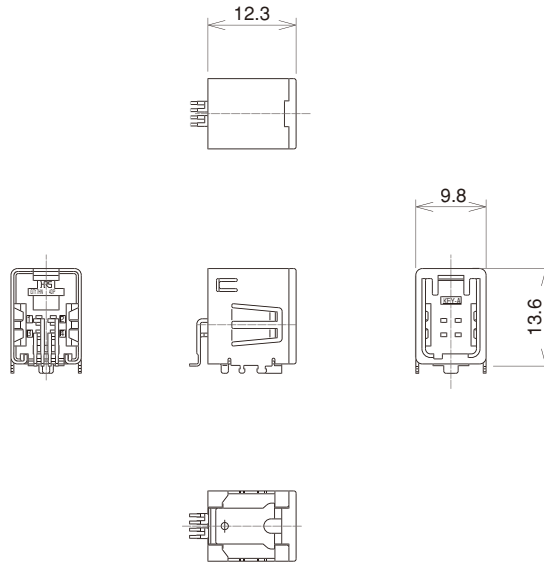


| Part No.             | HRS No.       | Color | Material / Plating                      | Packaging | RoHS |
|----------------------|---------------|-------|---|-----------|------|
| GT17HN-4DP-2H(A)(11) | 767-0144-6 11 | Brown | Housing:PPS                             | 1         | YES  |
| GT17HN-4DP-2H(B)(11) | 767-0175-0 11 | Green | Center terminal:Brass/Tin plating       |           |      |
| GT17HN-4DP-2H(C)(11) | 767-0176-2 11 | Blue  | Outer terminal:Copper alloy/Tin plating |           |      |

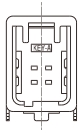
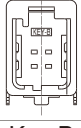
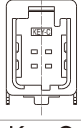
● Without flange



**GT17HN-4DP-2H(A)(14)**



Key Variation

|   |
|---|
|  |
| Key A<br>Brown  |
|  |
| Key B<br>Green  |
|  |
| Key C<br>Blue   |

| Part No.             | HRS No.       | Color | Material / Plating                      | Packaging    | RoHS |
|----------------------|---------------|-------|---|--------------|------|
| GT17HN-4DP-2H(A)(14) | 767-0144-6 14 | Brown | Housing:PPS                             | 300 pcs/reel | YES  |
| GT17HN-4DP-2H(B)(14) | 767-0175-0 14 | Green | Center terminal:Brass/Tin plating       |              |      |
| GT17HN-4DP-2H(C)(14) | 767-0176-2 14 | Blue  | Outer terminal:Copper alloy/Tin plating |              |      |

- GT5
- GT13
- GT16
- PO5G
- GT19
- GT21
- GT26
- GT36
- GT11
- GT17**
- GT32
- GT3
- GT7
- GT10
- GT18W
- GT25
- GT8E
- GT9
- GT15

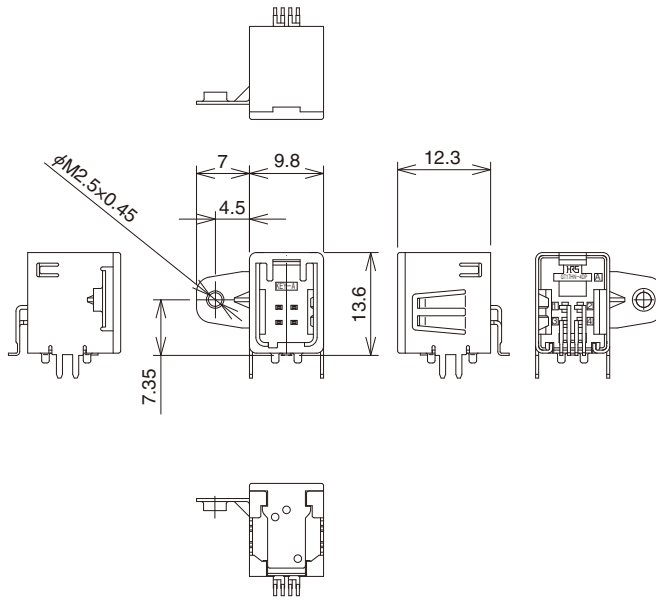
May.1.2017 Copyright © 2017 HIROSE ELECTRIC CO., LTD. All Rights Reserved.

- GT5
- GT13
- GT16
- PO5G
- GT19
- GT21
- GT26
- GT36
- GT11
- GT17**
- GT32
- GT3
- GT7
- GT10
- GT18W
- GT25
- GT8E
- GT9
- GT15

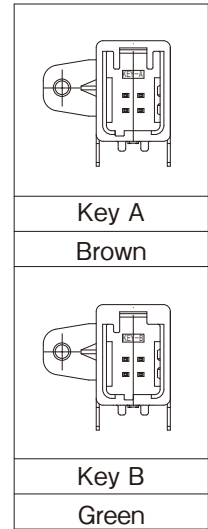
● M2.5 Screw with Left flange



**GT17HNL-4DP-2H(A)**



Key Variation

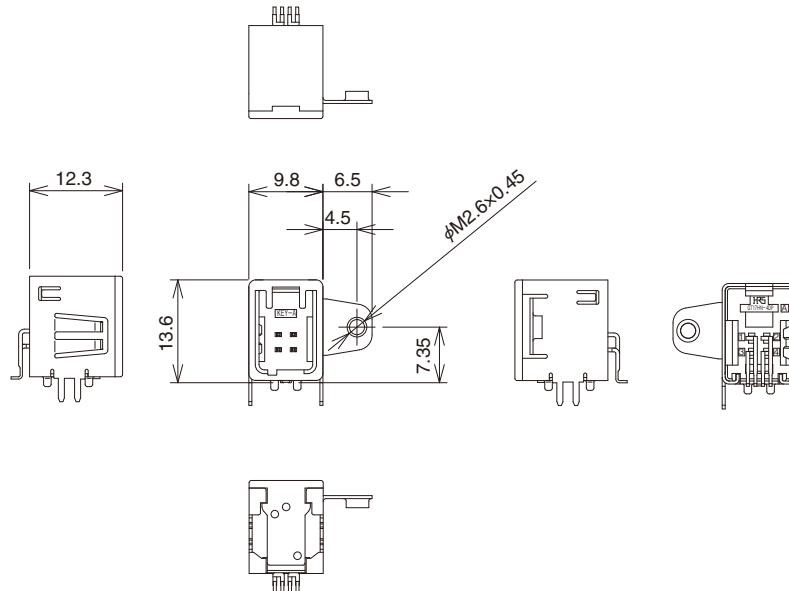


| Part No.          | HRS No.    | Color | Material / Plating  | Packaging | RoHS |
|-------------------|------------|-------|---|-----------|------|
| GT17HNL-4DP-2H(A) | 767-0229-7 | Brown | Housing:PPS<br>Center terminal:Brass/Tin plating<br>Outer terminal:Copper alloy/Tin plating | 1         | YES  |
| GT17HNL-4DP-2H(B) | 767-0237-5 | Green |   |           |      |

● M2.6 Screw with Right flange



**GT17HNR-4DP-2H(A)**

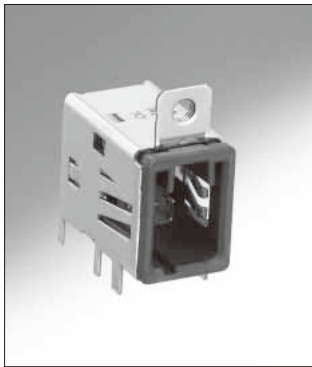


| Part No.          | HRS No.    | Color | Material / Plating  | Packaging | RoHS |
|-------------------|------------|-------|---|-----------|------|
| GT17HNR-4DP-2H(A) | 767-0230-6 | Brown | Housing:PPS<br>Center terminal:Brass/Tin plating<br>Outer terminal:Copper alloy/Tin plating | 1         | YES  |

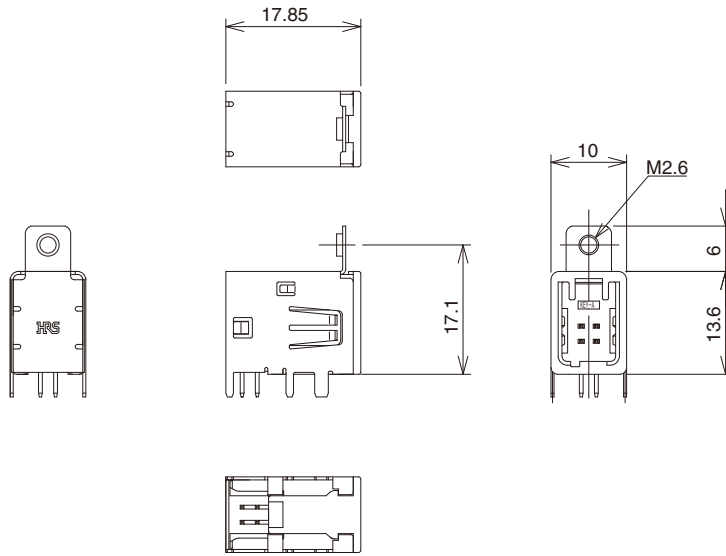
- GT5
- GT13
- GT16
- PO5G
- GT19
- GT21
- GT26
- GT36
- GT11
- GT17**
- GT32
- GT3
- GT7
- GT10
- GT18W
- GT25
- GT8E
- GT9
- GT15

## ■ 4 Pos. Boardside Right angle DIP Type

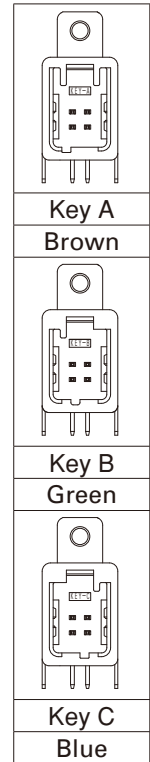
● With M2.6 flange



GT17HN-4DP-2DS(A)



Key Variation

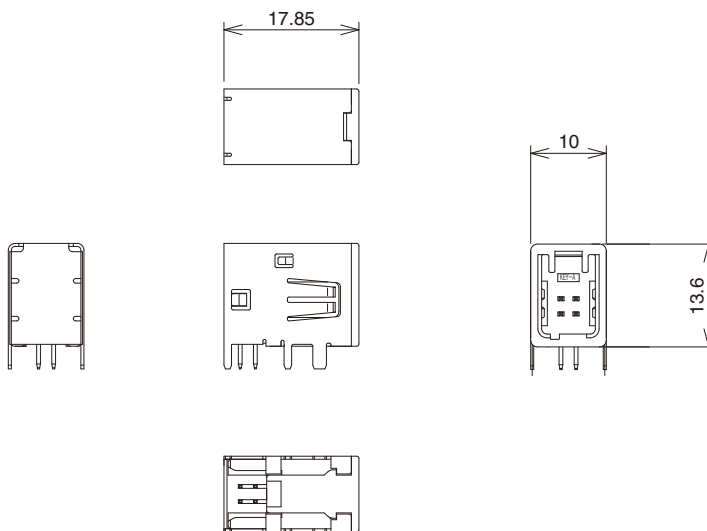


| Part No.          | HRS No.       | Color | Material / Plating                      | Packaging | RoHS |
|-------------------|---------------|-------|---|-----------|------|
| GT17HN-4DP-2DS(A) | 767-0213-7 00 | Brown | Housing:PBT                             | 1         | YES  |
| GT17HN-4DP-2DS(B) | 767-0266-3 00 | Green | Center terminal:Brass/Tin plating       |           |      |
| GT17HN-4DP-2DS(C) | 767-0265-0 00 | Blue  | Outer terminal:Copper alloy/Tin plating |           |      |

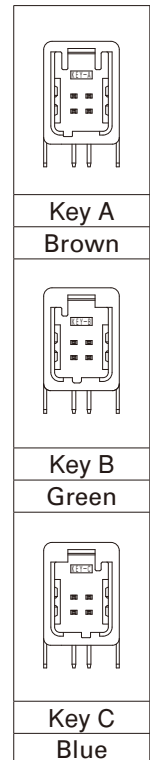
● Without flange



GT17HN-4DP-2DS(A)(10)



Key Variation



| Part No.              | HRS No.       | Color | Material / Plating                      | Packaging | RoHS |
|-----------------------|---------------|-------|---|-----------|------|
| GT17HN-4DP-2DS(A)(10) | 767-0213-7 10 | Brown | Housing:PBT                             | 1         | YES  |
| GT17HN-4DP-2DS(B)(10) | 767-0266-3 10 | Green | Center terminal:Brass/Tin plating       |           |      |
| GT17HN-4DP-2DS(C)(10) | 767-0265-0 10 | Blue  | Outer terminal:Copper alloy/Tin plating |           |      |



May.1.2017 Copyright © 2017 HIROSE ELECTRIC CO., LTD. All Rights Reserved.

GT5

GT13

GT16

PO5G

GT19

GT21

GT26

GT36

GT11

**GT17**

GT32

GT3

GT7

GT10

GT18W

GT25

GT8E

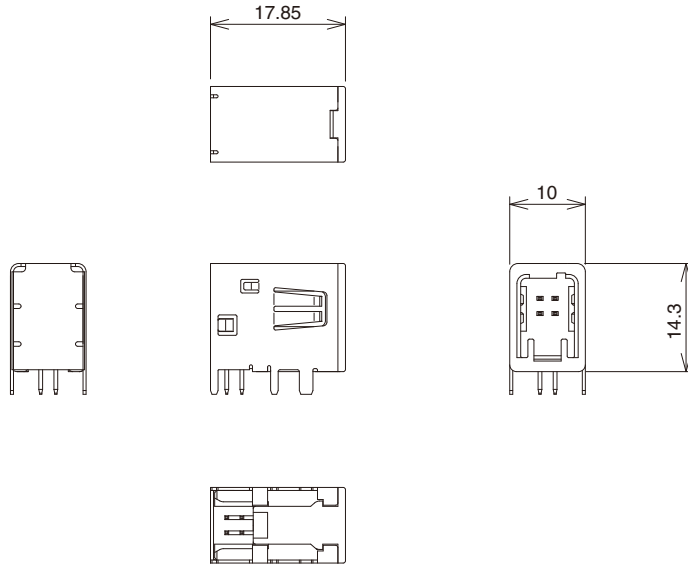
GT9

GT15

● Plug reverse



**GT17HNF-4DP-2DS(A)**



| Part No.           | HRS No.       | Color | Material / Plating  | Packaging | RoHS |
|--------------------|---------------|-------|---|-----------|------|
| GT17HNF-4DP-2DS(A) | 767-0236-2 00 | Brown | Housing:PBT<br>Center terminal:Brass/Tin plating<br>Outer terminal:Copper alloy/Tin plating | 1         | YES  |

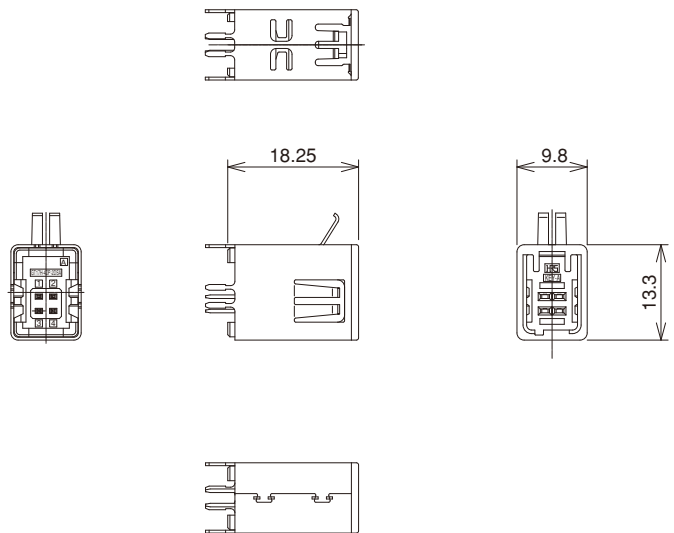
■ 4-Conductor Board Connector(Straight)



**GT17HJ-4DP-2DSA**



**GT17HG-4DP-2DSA(A)**



| Part No.           | HRS No.    | Color | Material / Plating or Color   | Packaging | RoHS |
|--------------------|------------|-------|---|-----------|------|
| GT17HJ-4DP-2DSA    | 767-0160-2 | Brown | Housing:PPS<br>Center terminal:Brass/Tin plating<br>Outer terminal:Copper alloy/Tin plating | 1         | YES  |
| GT17HG-4DP-2DSA(A) | 767-0314-4 |       |   |           |      |
| GT17HG-4DP-2DSA(B) | 767-0315-7 | Green |   |           |      |
| GT17HG-4DP-2DSA(C) | 767-0316-0 | Blue  |   |           |      |
| GT17HG-4DP-2DSA(D) | 767-0317-2 | Black |   |           |      |

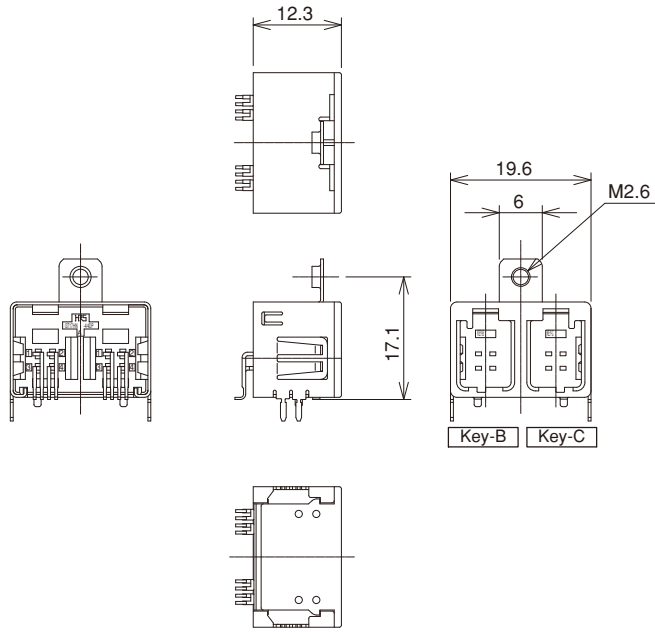
- GT5
- GT13
- GT16
- PO5G
- GT19
- GT21
- GT26
- GT36
- GT111
- GT17**
- GT32
- GT3
- GT7
- GT10
- GT18W
- GT25
- GT8E
- GT9
- GT15

## ■ 4/4 Pos. SMT Connectors

### ● With M2.6 screw flange



**GT17HN-4/4DP-2H(BC)**

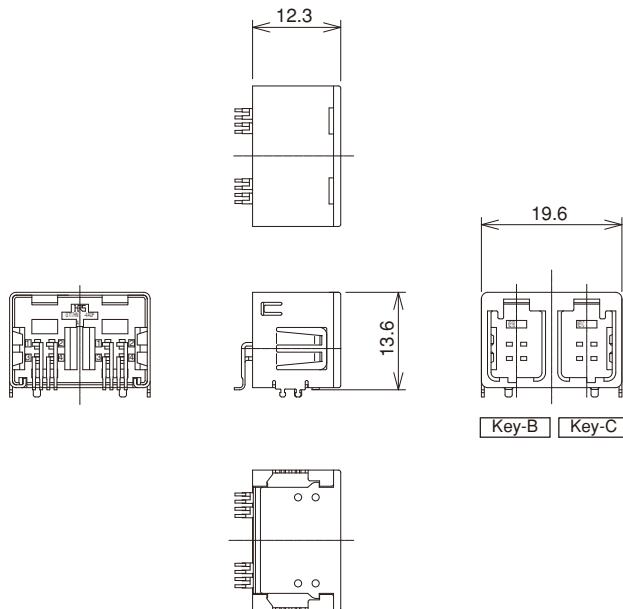


| Part No.             | HRS No.    | Color      | Material / Plating or Color   | Packaging | RoHS |
|----------------------|------------|------------|---|-----------|------|
| GT17HN-4/4DP-2H(BC)  | 767-0145-9 | Light Gray | Housing:PPS<br>Center terminal:Brass/Tin plating<br>Outer terminal:Copper alloy/Tin plating | 1         | YES  |
| GT17HND-4/4DP-2H(AA) | 767-0327-6 | Brown      |   |           |      |

### ● Without flange



**GT17HN-4/4DP-2H(BC)(14)**



| Part No.                | HRS No.       | Color      | Material / Plating or Color   | Packaging    | RoHS |
|-------------------------|---------------|------------|---|--------------|------|
| GT17HN-4/4DP-2H(BC)(14) | 767-0145-9 14 | Light Gray | Housing:PPS<br>Center terminal:Brass/Tin plating<br>Outer terminal:Copper alloy/Tin plating | 200 pcs/reel | YES  |

GT5

GT13

GT16

PO5G

GT19

GT21

GT26

GT36

GT11

GT17

GT32

GT3

GT7

GT10

GT18W

GT25

GT8E

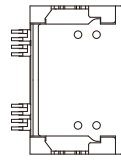
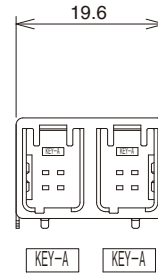
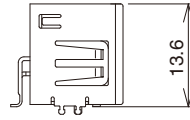
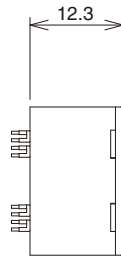
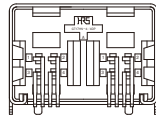
GT9

GT15

● Without flange

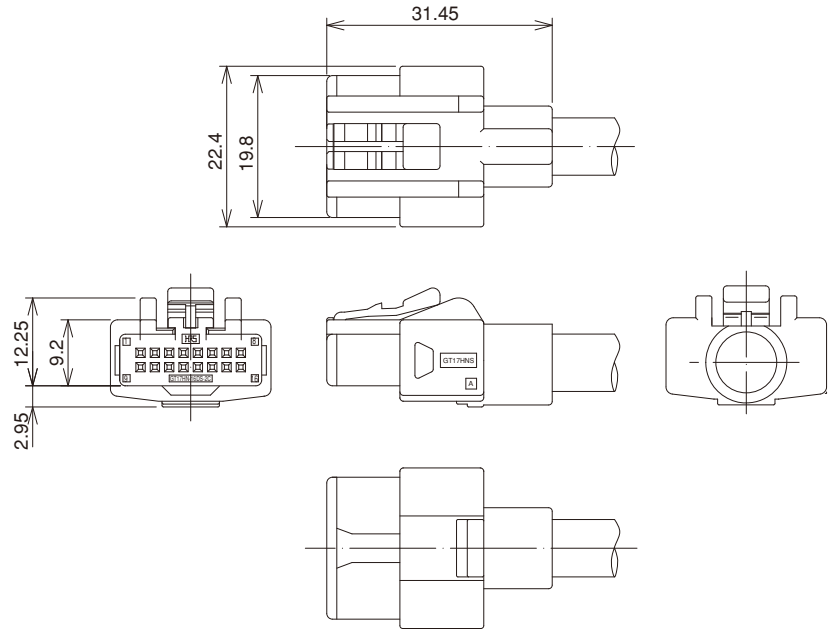
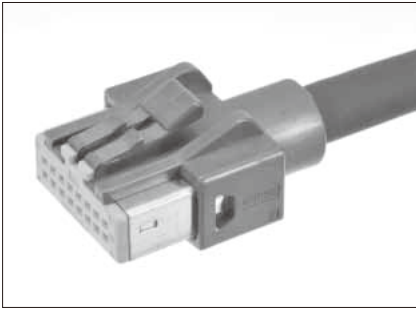


GT17HN-4/4DP-2H(AA)



| Part No.            | HRS No.       | Color | Material / Plating  | Packaging | RoHS |
|---------------------|---------------|-------|---|-----------|------|
| GT17HN-4/4DP-2H(AA) | 767-0246-6 00 | Brown | Housing:PPS<br>Center terminal:Brass/Tin plating<br>Outer terminal:Copper alloy/Tin plating | 1         | YES  |

## ■ 16 Pos. Straight Connectors



◆The product comprises 4 parts.  
(Housing, insulator, outer terminal, and center terminal)

●Housing

| Part No.        | HRS No.    | Material / Plating or Color | Packaging | RoHS |
|-----------------|------------|-----------------------------|-----------|------|
| GT17HNS-16DS-HU | 767-0164-3 | PBT / Dark Gray             | 1         | YES  |

●Insulator

| Part No.       | HRS No.    | Material / Plating or Color | Packaging | RoHS |
|----------------|------------|-----------------------------|-----------|------|
| GT17HN-16DS-2C | 767-0162-8 | PBT / Light Gray            | 1         | YES  |

●Outer terminal

| Part No.         | HRS No.    | Material / Plating or Color | Outer Diameter | Packaging | RoHS |
|------------------|------------|-----------------------------|----------------|-----------|------|
| GT17HNS-16DS-8CF | 767-0165-6 | Copper alloy / Tin plating  | φ7.8 to 8.2    | 1         | YES  |

●Center terminal

| Part No.        | HRS No.       | Material / Plating or Color   | Conductor Size(AWG) | Outer Diameter | Packaging       | RoHS |
|-----------------|---------------|-------------------------------|---------------------|----------------|-----------------|------|
| GT8-2428SCF(70) | 758-0001-8 70 | Phosphor Bronze / Tin plating | 24 to 28 AWG        | φ0.8 to 1.5    | 10,000 pcs/reel | YES  |

◆Mating Table

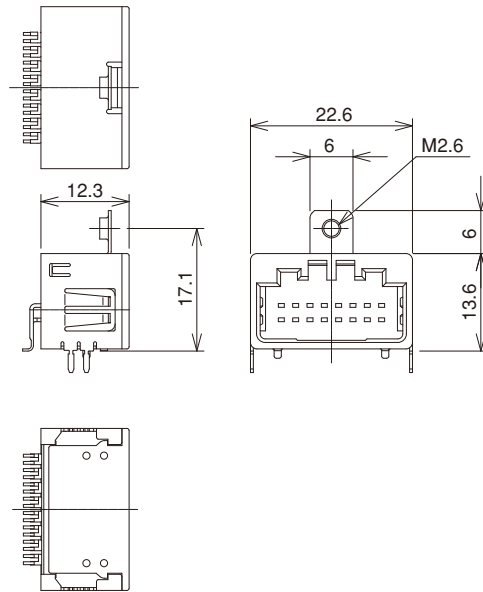
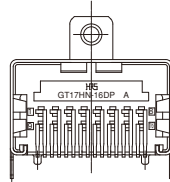
| Color | Cable side connector | Board connector                      |
|-------|----------------------|--------------------------------------|
| Gray  | GT17HNS-16DS-HU      | GT17HN-16DP-2H<br>GT17HN-16DP-2H(10) |

## ■ 16 Pos. SMT Connectors

● With M2.6 screw flange



**GT17HN-16DP-2H**

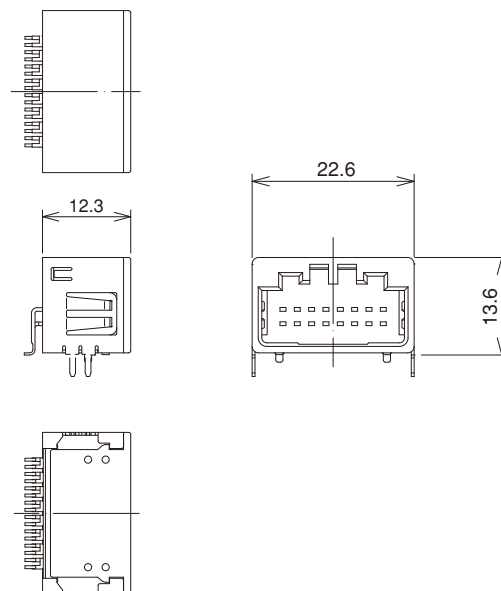
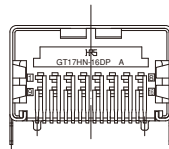


| Part No.       | HRS No.    | Color      | Material / Plating  | Packaging | RoHS |
|----------------|------------|------------|---|-----------|------|
| GT17HN-16DP-2H | 767-0153-7 | Light Gray | Housing:PPS<br>Center terminal:Brass/Tin plating<br>Outer terminal:Copper alloy/Tin plating | 1         | YES  |

● Without flange



**GT17HN-16DP-2H(10)**

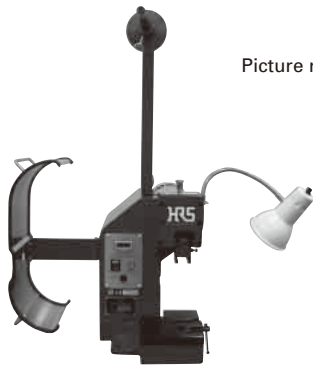


| Part No.           | HRS No.       | Color      | Material / Plating  | Packaging    | RoHS |
|--------------------|---------------|------------|---|--------------|------|
| GT17HN-16DP-2H(10) | 767-0153-7 10 | Light Gray | Housing:PPS<br>Center terminal:Brass/Tin plating<br>Outer terminal:Copper alloy/Tin plating | 200 pcs/reel | YES  |

## ◆ Crimping tools

User manuals are available. Please ask your Hirose Electric account representative.

### ● Automatic Crimping Machine



Picture reference only

#### Specifications

| Item              | Specification              | Remarks       |
|-------------------|----------------------------|---------------|
| Press capacity    | 1.5Ton                     |               |
| Stroke            | 30mm                       |               |
| Number of strokes | 200spm (50Hz)              | 240spm (60Hz) |
| Weight            | 75kg                       |               |
| Motor             | 0.2kW                      | AC100V        |
| Crimping speed    | 2000 to 4000 pcs. per hour |               |

Part No. CM-105C

#### Applicator

| Terminal Product No. | Terminal HRS No. | Tool No.         | Tool HRS No. |
|----------------------|------------------|------------------|--------------|
| GT17-2022SCF         | 767-0009-0       | AP105-GT17-2022S | 901-5083-5   |
| GT17-2428SCF         | 767-0010-0       | AP105-GT17-2428S | 901-5084-8   |
| GT17-30SCF           | 767-0064-9       | AP105-GT17-30S   | 901-5107-1   |
| GT17-2022PCF         | 767-0082-0       | AP105-GT17-2022P | 901-5146-3   |
| GT17-2428PCF         | 767-0076-8       | AP105-GT17-2428P | 901-5177-7   |
| GT8-2428SCF(70)      | 758-0001-8 70    | AP105-GT8-2428S  | 901-5174-9   |
| GT8E-2428PCF         | 758-0067-6       | AP105-GT8E-2428P | 901-5192-0   |

Note1 : Crimp heights may differ depending on the cable specification, so please consult a HRS representative for assistance.

Note2 : Before purchasing Hirose tooling, please make sure that your selected cable will work with the Hirose applicator.

Note3 : Cables that are different from those specified by Hirose may not be suitable and may require modification to the applicator to obtain a proper crimp.

#### Contact insert tool for GT17H-4S-2C

| Product No.     | HRS No.       | Tool No.      | Tool HRS No. |
|-----------------|---------------|---------------|--------------|
| GT8-2428SCF(70) | 758-0001-8 70 | GT17-4S/PR-MD | 902-5109-3   |

\* This tool was designed when GT8-2428SCF(70) insert to GT17H-4S-2C.

Please do not use other contact and housing.

## ● HANDPRESS

Hand Press



Part No.HOS-7

## Crimp tool for outer shield(Module for HOS-7)

| Product No.       | HRS No.    | Crimp tool for outer shield Product No. | Crimp tool for outer shield HRS No. |
|-------------------|------------|---|-------------------------------------|
| GT17V-6DS-5CF     | 767-0027-2 | GT17VS-6DS-5/CR-MP                      | 902-5099-1                          |
|                   |            | GT17VS-6DS-5/CR-MP(01)                  | 902-5099-1 01                       |
| GT17VS-6DS-5CF    | 767-0050-4 | GT17VS-6DS-CH48/CR-MP                   | 902-5105-2                          |
|                   |            | GT17VS-6DS-CH48/CR-MP(01)               | 902-5105-2 01                       |
| GT17V-6DS-3.8CF   | 767-0075-5 | GT17V-6DS-3.8/CR-MP                     | 902-5101-1                          |
|                   |            | GT17V-6DS-3.8/CR-MP(01)                 | 902-5101-1 01                       |
| GT17VS-6DP-5CF    | 767-0080-5 | GT17VS-6DP-5/CR-MP                      | 902-5088-5                          |
|                   |            | GT17VS-6DP-5/CR-MP(01)                  | 902-5088-5 01                       |
| GT17S-8DS-7CF     | 767-0106-7 | GT17S-8DS-7/CR-MP                       | 902-5090-7                          |
|                   |            | GT17S-8DS-7/CR-MP(01)                   | 902-5090-7 01                       |
| GT17V-10DS-8CF    | 767-0037-6 | GT17V-10DS/CR-MP                        | 902-5057-1                          |
|                   |            | GT17V-10DS/CR-MP(01)                    | 902-5057-1 01                       |
| GT17VS-10DS-8CF   | 767-0059-9 | GT17V-10DS/CR-MP                        | 902-5057-1                          |
|                   |            | GT17V-10DS/CR-MP(01)                    | 902-5057-1 01                       |
| GT17VS-10DP-5.2CF | 767-0114-5 | GT17VS-10DP-5.2/CR-MP                   | 902-5084-4                          |
|                   |            | GT17VS-10DP-5.2/CR-MP(01)               | 902-5084-4 01                       |
| GT17VS-10DS-4.6CF | 767-0116-0 | GT17VS-10DS-4.6/CR-MP                   | 902-5083-1                          |
|                   |            | GT17VS-10DS-4.6/CR-MP(01)               | 902-5083-1 01                       |
| GT17H-4S-5CF      | 767-0087-4 | GT17H-4S-5CF/CR-MP                      | 902-5100-9                          |
|                   |            | GT17H-4S-5CF/CR-MP(01)                  | 902-5100-9 01                       |
| GT17HS-4S-5CF     | 767-0135-5 | GT17H-4S-5CF/CR-MP                      | 902-5100-9                          |
|                   |            | GT17H-4S-5CF/CR-MP(01)                  | 902-5100-9 01                       |
| GT17HS-4P-5CF     | 767-0156-5 | GT17HS-4P-5CF/CR-MP                     | 902-5108-0                          |
|                   |            | GT17HS-4P-5CF/CR-MP(01)                 | 902-5108-0 01                       |
| GT17HN-4DS-5CF    | 767-0142-0 | GT17HNS-4DS-5/CR-MP                     | 902-5103-7                          |
|                   |            | GT17HNS-4DS-5/CR-MP(01)                 | 902-5103-7 01                       |
| GT17HNS-4DS-5CF   | 767-0151-1 | GT17HNS-4DS-5/CR-MP                     | 902-5103-7                          |
|                   |            | GT17HNS-4DS-5/CR-MP(01)                 | 902-5103-7 01                       |
| GT17HNS-16DS-8CF  | 767-0165-6 | GT17HNS-16DS-8/CR-MP                    | 902-5102-4                          |
|                   |            | GT17HNS-16DS-8/CR-MP(01)                | 902-5102-4 01                       |

Note1 : (01)is set unit (HOS-7 and Crimp tool).

Note2 : Crimp height sets for each cable. Please ask HRS sales in detail. Take time to define new crimp height.

Note3 : Please ask Crimp height for your cable when you use HRS tool.

Note4 : Applicable tool may be changed by specic cable.