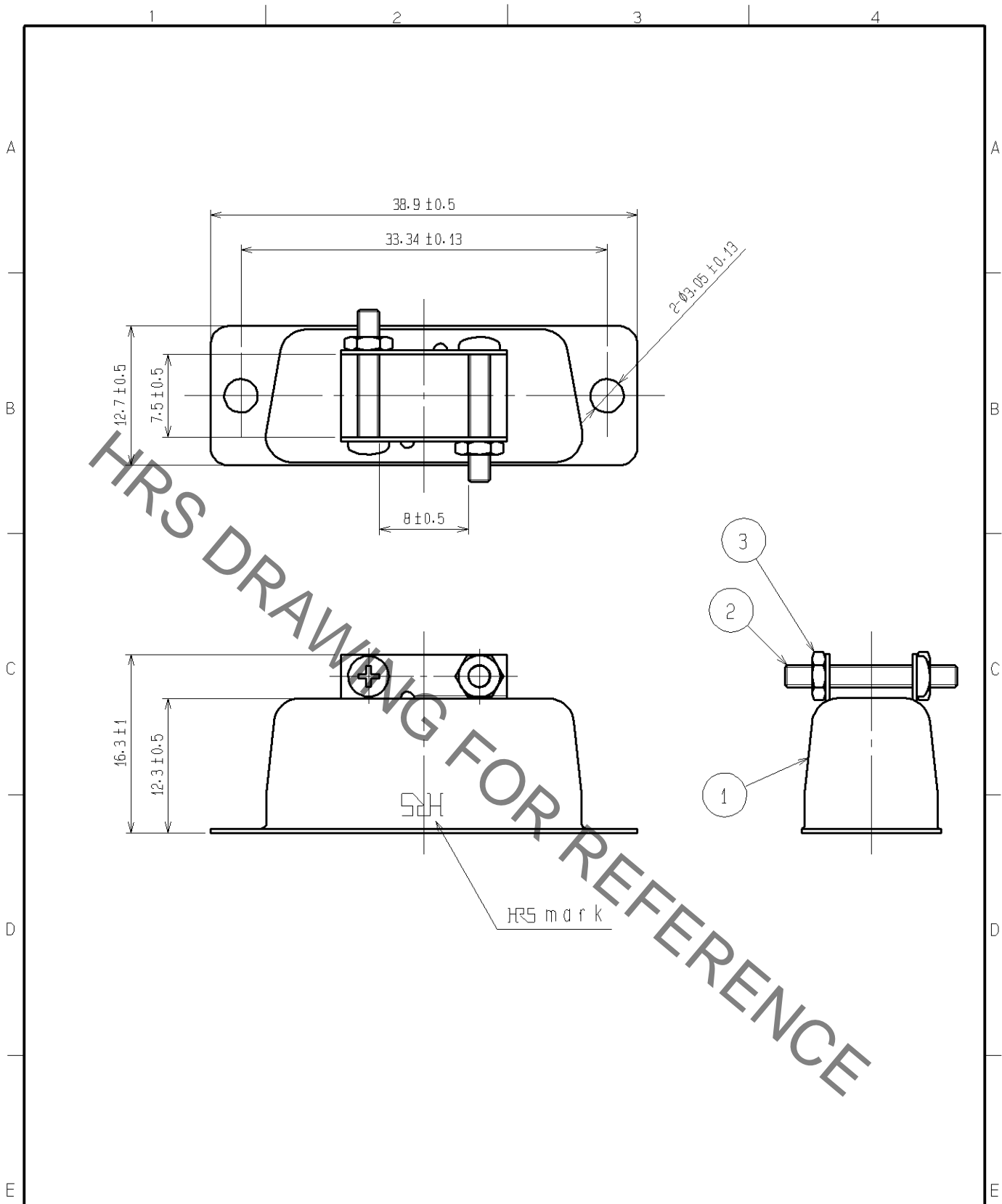


Oct.1.2019 Copyright 2019 HIROSE ELECTRIC CO., LTD. All Rights Reserved.
 In case of consideration for using Automotive equipment / device which demand high reliability, kindly contact our sales window correspondents.



2	Brass	Nickel plating						
1	Low carbon steel	Nickel plating	3	Brass	Nickel plating			
NO.	MATERIAL	FINISH. REMARKS	NO.	MATERIAL	FINISH. REMARKS			
UNITS mm		SCALE 2 : 1	COUNT 	DESCRIPTION OF REVISIONS	DESIGNED	CHECKED	DATE	
HIROSE ELECTRIC CO., LTD.		APPROVED : HO.MIWA	06.11.07	DRAWING NO.	EDC4-002092-01			
		CHECKED : HO.MIWA	06.11.07	PART NO.	HDA-C(50)			
		DESIGNED : S.J.SHIMIZU	06.11.07	CODE NO.	CL211-0005-4-50			
		DRAWN : S.J.SHIMIZU	06.11.07					