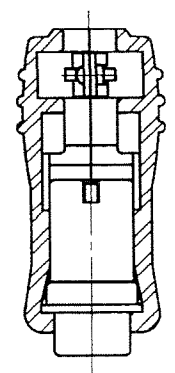
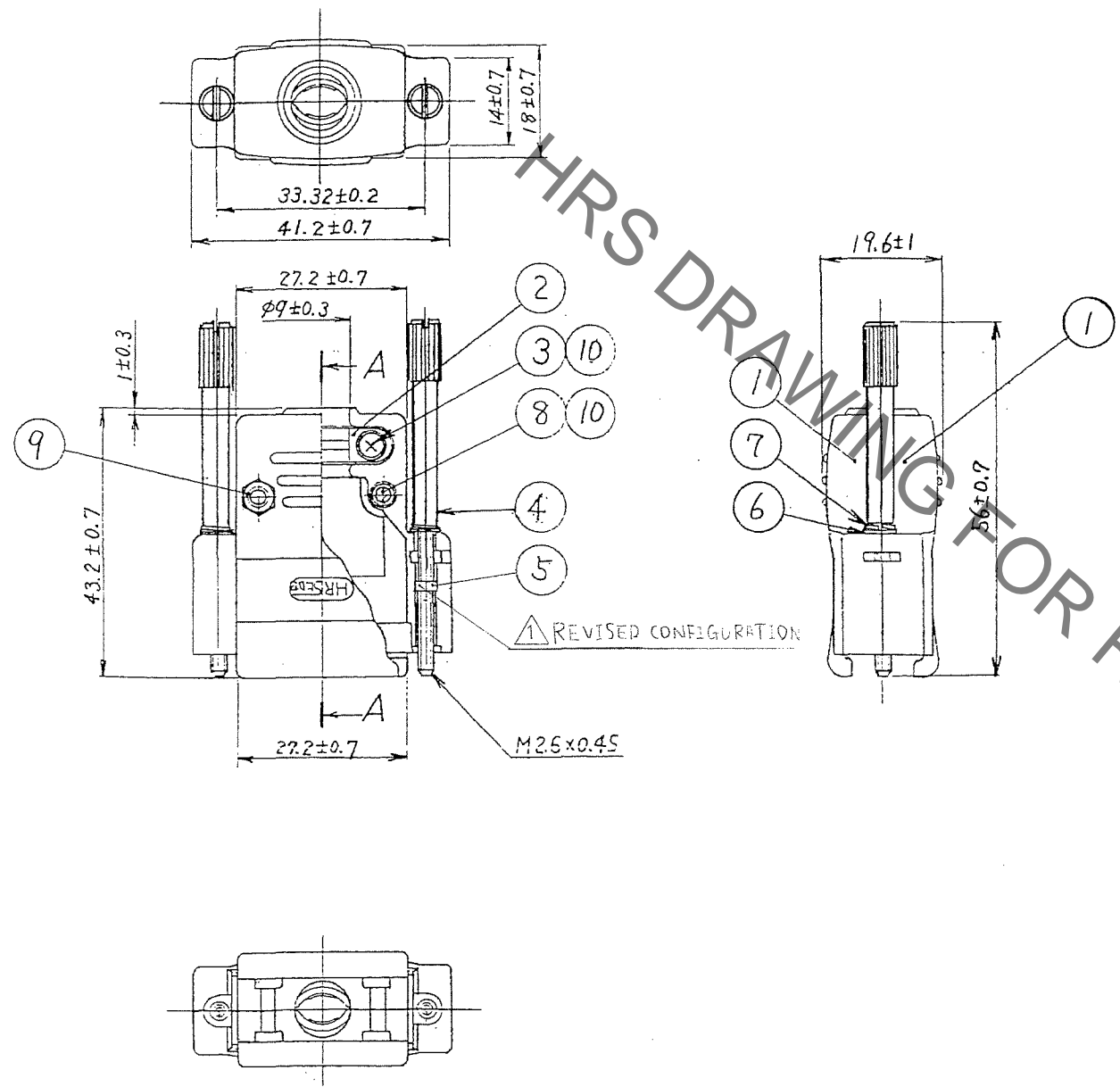


Oct.1.2019 Copyright 2019 HIROSE ELECTRIC CO., LTD. All Rights Reserved.
In case of consideration for using Automotive equipment / device which demand high reliability, kindly contact our sales window correspondents.

COUNT	DESCRIPTION OF REVISIONS	BY	CHKD	DATE	COUNT	DESCRIPTION OF REVISIONS	BY	CHKD	DATE
2	DIS-E-001024	Y.M.	B.M.	06.11.25					

CONNECTOR APPLICATED SECTIONAL VIEW(SECTION AA)
FDA-15P NOT STRAIN-RELIEF(SCALE: TREE)



HRS DRAWING FOR REFERENCE

5	STEEL	NICKEL PLATING	10	STEEL	NICKEL PLATING M2.6 SPRING LOCK WASHER
4	STEEL	NICKEL PLATING + PAN HEAD MACHINE SCREW M2.6X0.45X8	9	STEEL	NICKEL PLATING M2.6 HEX NUT
3	STEEL	NICKEL PLATING	8	STEEL	NICKEL PLATING + PAN HEAD MACHINE SCREW M2.6X0.45X23.5
2	STEEL	NICKEL PLATING	7	STEEL	NICKEL PLATING M2.6 SPRING LOCK WASHER
1	ABS	(2.5PB 6/2)	6	STEEL	NICKEL PLATING M2.6 WASHER
NO.	MATERIAL	FINISH, REMARKS	NO.	MATERIAL	FINISH, REMARKS

CODE NO. (OLD)		DRAWN	DESIGNED	CHECKED	APPROVED	RELEASED
		M. Itano	F. Toriguchi	G. Enami	H. Miura	
		06.07.11	06.07.12	06.07.12	06.07.13	
DRAWING NO. EDC3-020948-01			PART NO. HDA-CTF1(50)			
SCALE 2 : 1			CODE NO. CL211-0350-2-50			
UNITS mm			HRS HIROSE ELECTRIC CO., LTD			

TO
Q1