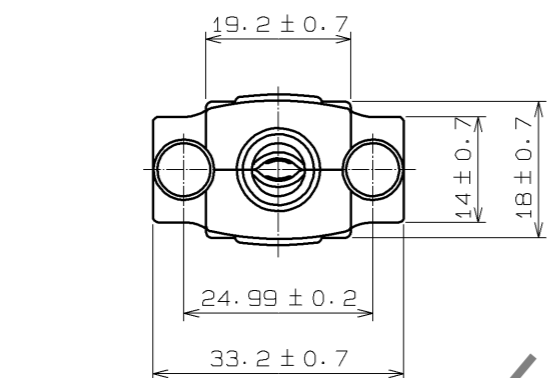
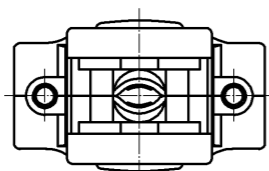
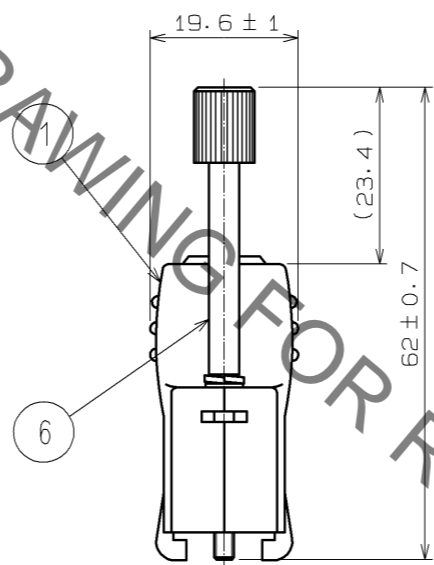
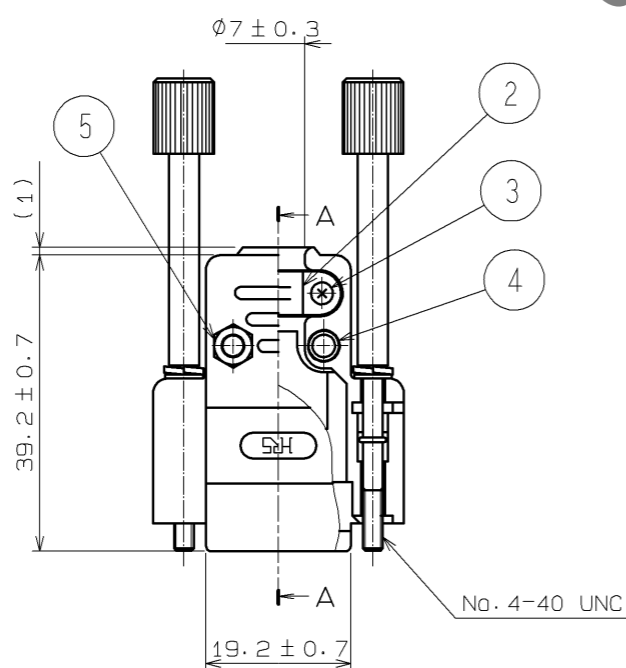
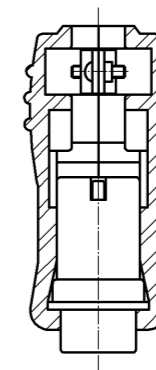


Oct.1.2019 Copyright 2019 HIROSE ELECTRIC CO., LTD. All Rights Reserved.
 In case of consideration for using Automotive equipment / device which demand high reliability, kindly contact our sales window correspondents.



CONNECTOR APPLICATED SECTIONAL VIEW(SECTION AA)
 FDE-9P NOT INCLUDE STRAIN-RELIEF(SCALE:FREE)



HRS DRAWING FOR REFERENCE

3	STEEL	OVER: Ni 0.8μm min UNDER: Cu 2μm min	6	STEEL	OVER: Ni 0.8μm min UNDER: Cu 2μm min
2	STEEL	OVER: Ni 3μm min UNDER: Cu 2μm min	5	STEEL	Ni 2μm min
1	ABS	(2.5PB6.0/2.0)UL94HB	4	STEEL	OVER: Ni 0.8μm min UNDER: Cu 2μm min
NO.	MATERIAL	FINISH . REMARKS	NO.	MATERIAL	FINISH . REMARKS

UNITS mm		SCALE 2 : 1	COUNT △	DESCRIPTION OF REVISIONS	DESIGNED	CHECKED	DATE
HIROSE ELECTRIC CO., LTD.				APPROVED : RI. TAKAYASU	12.08.29	DRAWING NO. EDC3-029821-01	
				CHECED : EJ. WAKATSUKI	12.08.29	PART NO. HDE-CTF1(4-40)(50)	
				DESIGNED : TS. ITO	12.08.29	CODE NO. CL211-0933-0-50	
				DRAWN : TS. ITO	12.08.29	△ 1/1	