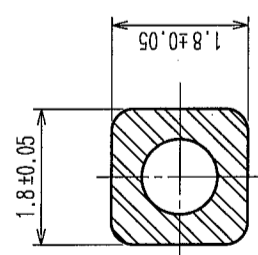
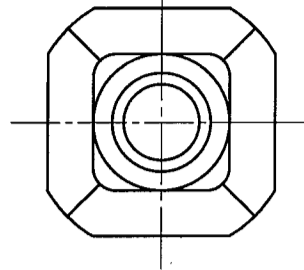
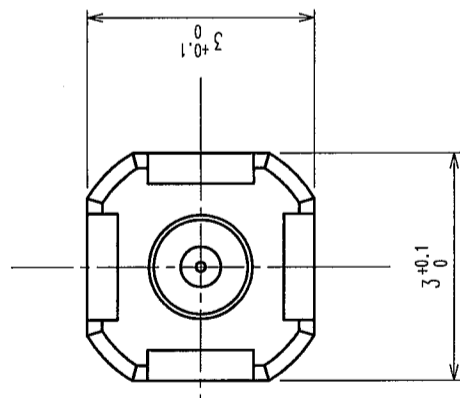
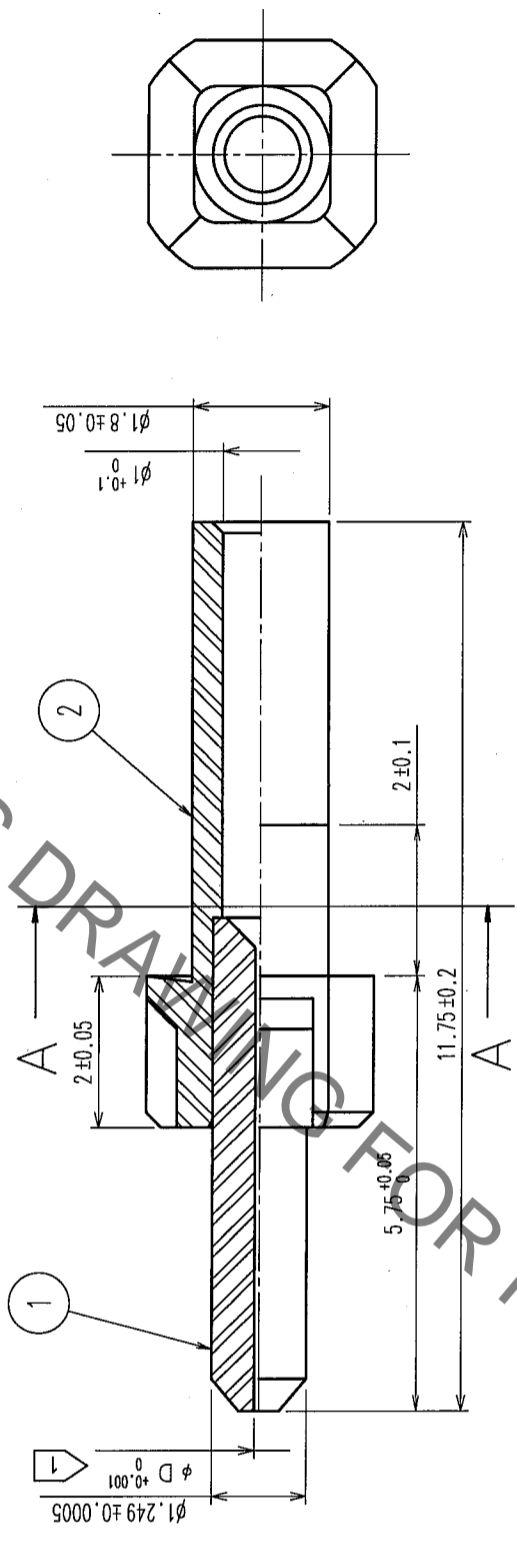


Oct.1.2019 Copyright 2019 HIROSE ELECTRIC CO., LTD. All Rights Reserved.
 2 In case of consideration for using Automotive equipment / device which demand high reliability, kindly contact our sales window correspondents.

COUNT	DESCRIPTION OF REVISIONS	BY	CHKD	DATE	COUNT	DESCRIPTION OF REVISIONS	BY	CHKD	DATE
△					△				
△					△				
△					△				



A-A



Notice 1 Eccentric value at ferrule end face against dia. 1.249mm: less than 0.0007mm.
 Please see the table for Dimension D.
 2 Part NO.: specified by the table.
 3 Code NO.: specified by the table.
 4 One package consists of 100pcs.

Table

D	PART NO.	CODE NO.	RECOMMENDED FIBER DIAMETER
0.125	HMUA-FK-A125(01)	CL710-0099-2-01	0.124mm ≤ D < 0.125mm
0.126	HMUA-FK-A126(01)	CL710-0100-0-01	0.125mm ≤ D < 0.126mm
0.1255	HMUA-FK-A1255(01)	CL710-0107-9-01	0.1245mm ≤ D < 0.1255mm

NO.	ZIRCONIA MATERIAL	FINISH, REMARKS	NO.	SYNTHETIC RESIN MATERIAL	WHITE
1			2		

CODE NO. (OLD)	DRAWN	DESIGNED	CHECKED	APPROVED	RELEASED
	Y. Sato	Y. Sato	M. Inoue	M. Tebuchi	
	06.02.10	06.02.10	06.02.10	06.02.10	06.02.10

DRAWING NO.	PART NO.
EDC3-176213	HMUA-FK-A*** (01)

SCALE	UNITS
10 : 1	mm