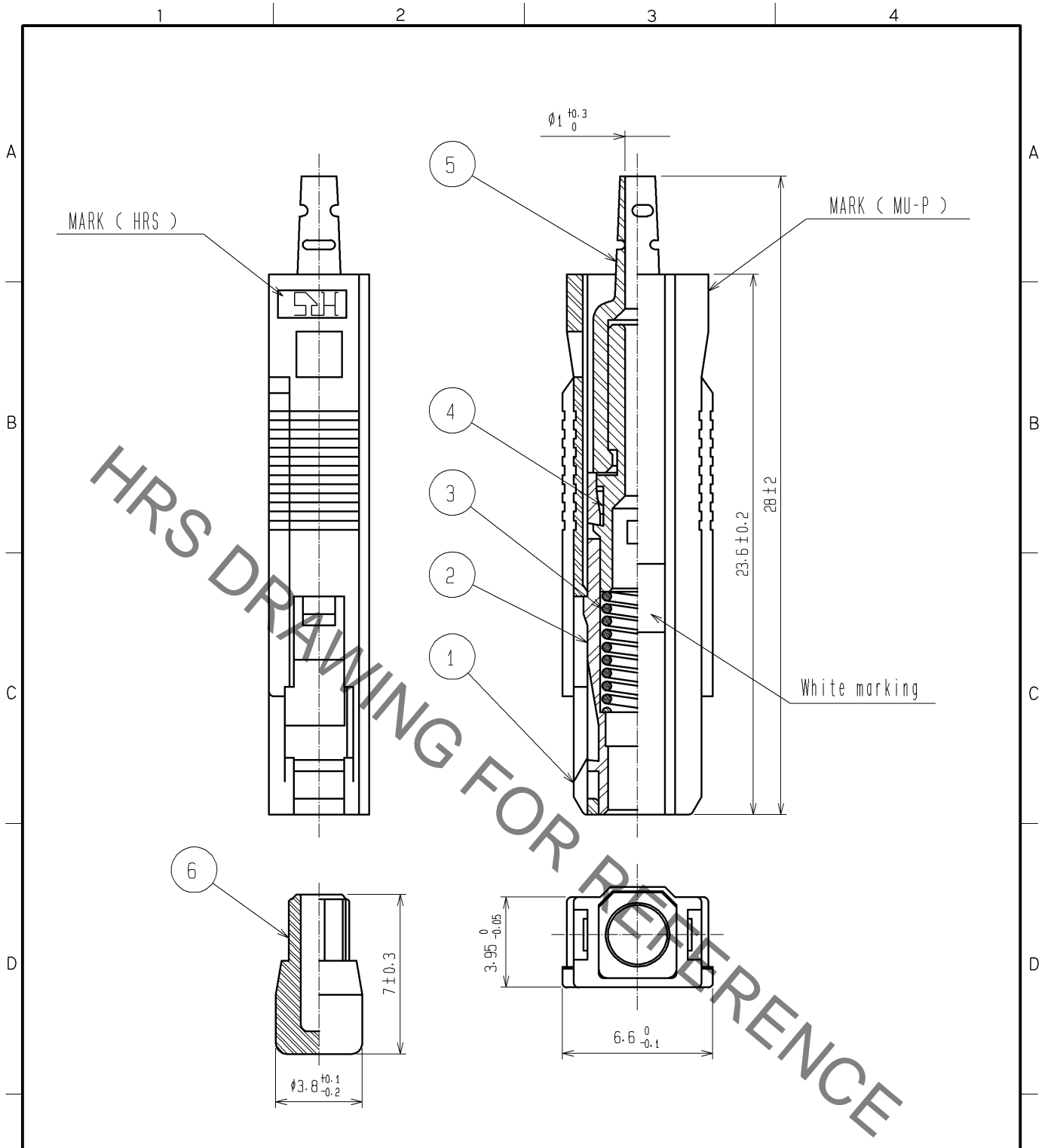


Oct.1.2019 Copyright 2019 HIROSE ELECTRIC CO., LTD. All Rights Reserved.  
 In case of consideration for using Automotive equipment / device which demand high reliability, kindly contact our sales window correspondents.



NOTE 1 This drawing shows after assembling.  
 2 Each sub-parts are packed into 100 pieces per package.

3	Piano wire	Zinc plating	6	TPEE	Blue
2	PBT	White	5	TPEE	Blue
1	PBT	Brown	4	Brass	Nickel plating
NO.	MATERIAL	FINISH . REMARKS	NO.	MATERIAL	FINISH . REMARKS

UNITS mm		SCALE 4 : 1	COUNT 	DESCRIPTION OF REVISIONS	DESIGNED	CHECKED	DATE
HIROSE ELECTRIC CO., LTD.		APPROVED : MT. SHIBUTANI	12. 03. 01	DRAWING NO.	EDC4-174455-60		
		CHECKED : FS. YOSHIDA	12. 03. 01	PART NO.	HMUA-P0. 9-H1(60)		
		DESIGNED : KS. JOKURA	12. 02. 29	CODE NO.	CL710-0158-0-60		
		DRAWN : SR. TOYOKAWA	12. 02. 27				