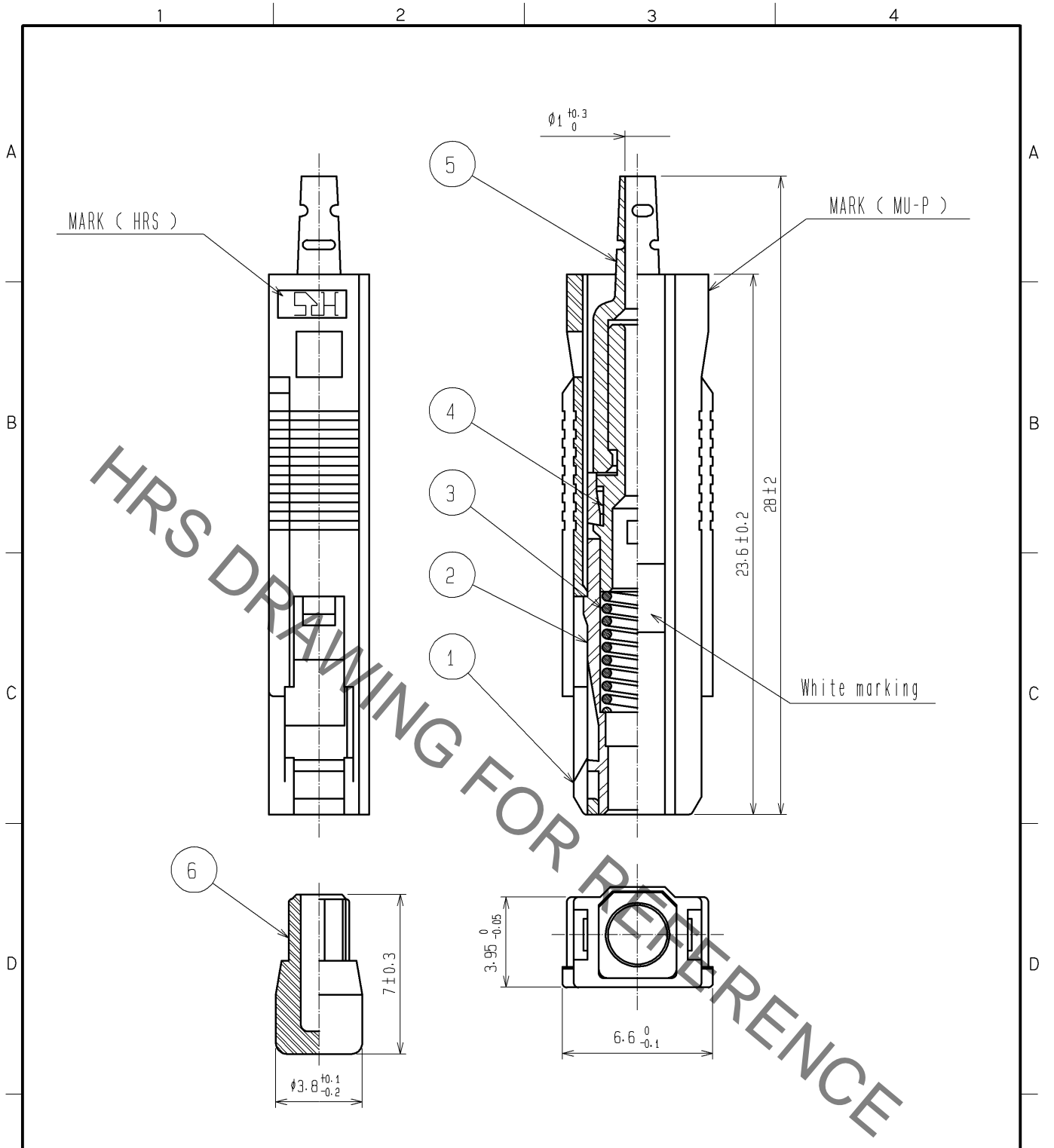


Oct.1.2019 Copyright 2019 HIROSE ELECTRIC CO., LTD. All Rights Reserved.  
 In case of consideration for using Automotive equipment / device which demand high reliability, kindly contact our sales window correspondents.



NOTE 1 This drawing shows after assembling.  
 2 Each sub-parts are packed into 100 pieces per package.

3	Piano wire	Zinc plating	6	TPEE	Blue
2	PBT	White	5	TPEE	Light purple
1	PBT	Brown	4	Brass	Nickel plating
NO.	MATERIAL	FINISH . REMARKS	NO.	MATERIAL	FINISH . REMARKS

UNITS mm		SCALE 4 : 1	COUNT 	DESCRIPTION OF REVISIONS	DESIGNED	CHECKED	DATE
HIROSE ELECTRIC CO., LTD.				APPROVED : MT. SHIBUTANI 14. 05. 29 CHECKED : YY. HIYAMA 14. 05. 29 DESIGNED : FS. YOSHIDA 14. 05. 29 DRAWN : FS. YOSHIDA 14. 05. 29	DRAWING NO. EDC4-174456-01 PART NO. HMUA-P0. 9-H2(60) CODE NO. CL710-0159-2-60		