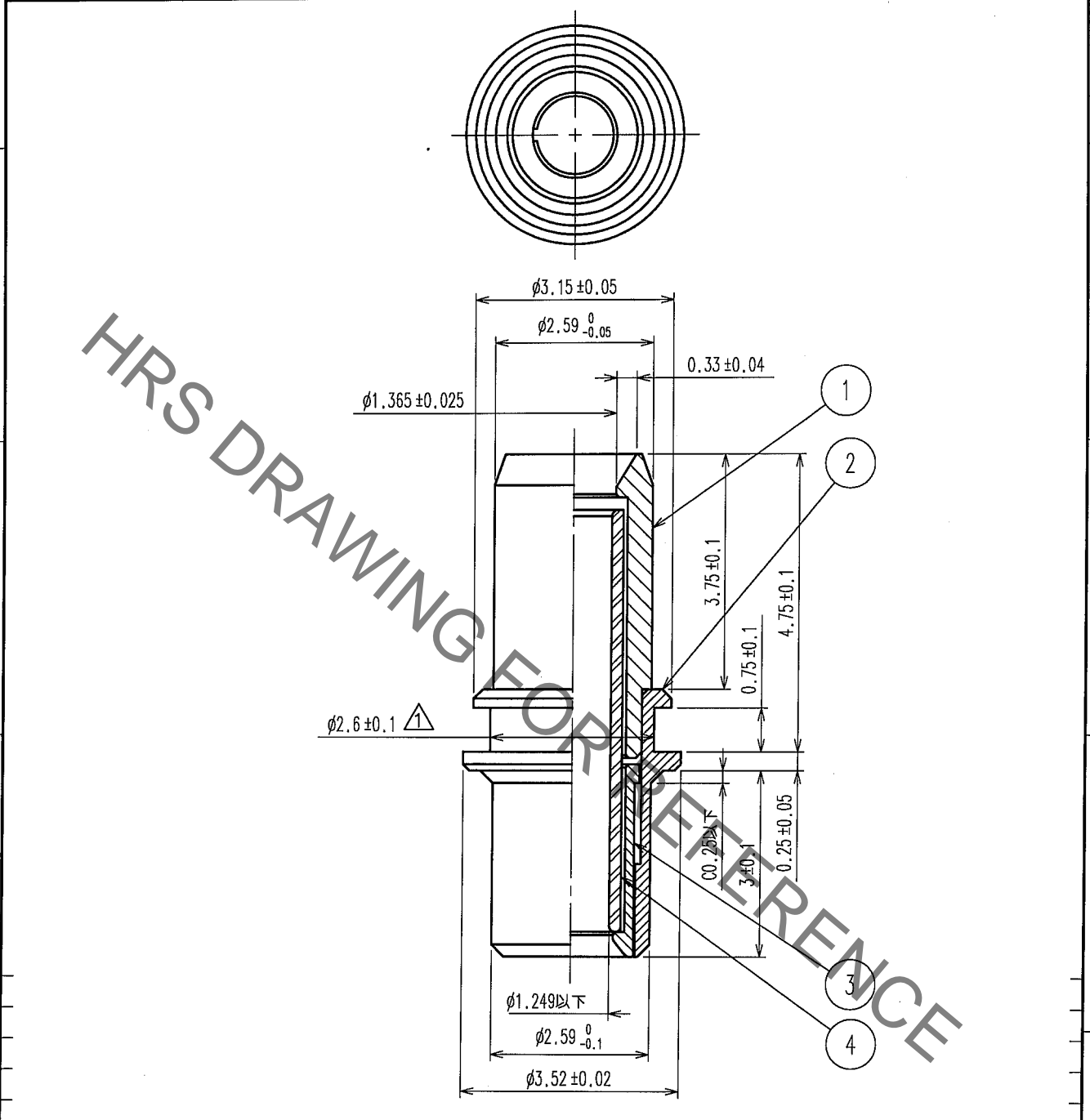


Oct.1.2019 Copyright 2019 HIROSE ELECTRIC CO., LTD. All Rights Reserved.  
 In case of consideration for using Automotive equipment / device which demand high reliability, kindly contact our sales window correspondents.

1		2			3			4		
COUNT	DESCRIPTION OF REVISIONS	BY	CHKD	DATE	COUNT	DESCRIPTION OF REVISIONS	BY	CHKD	DATE	
1	DIS-K-000189	Y.S	M.I	06.04.21						



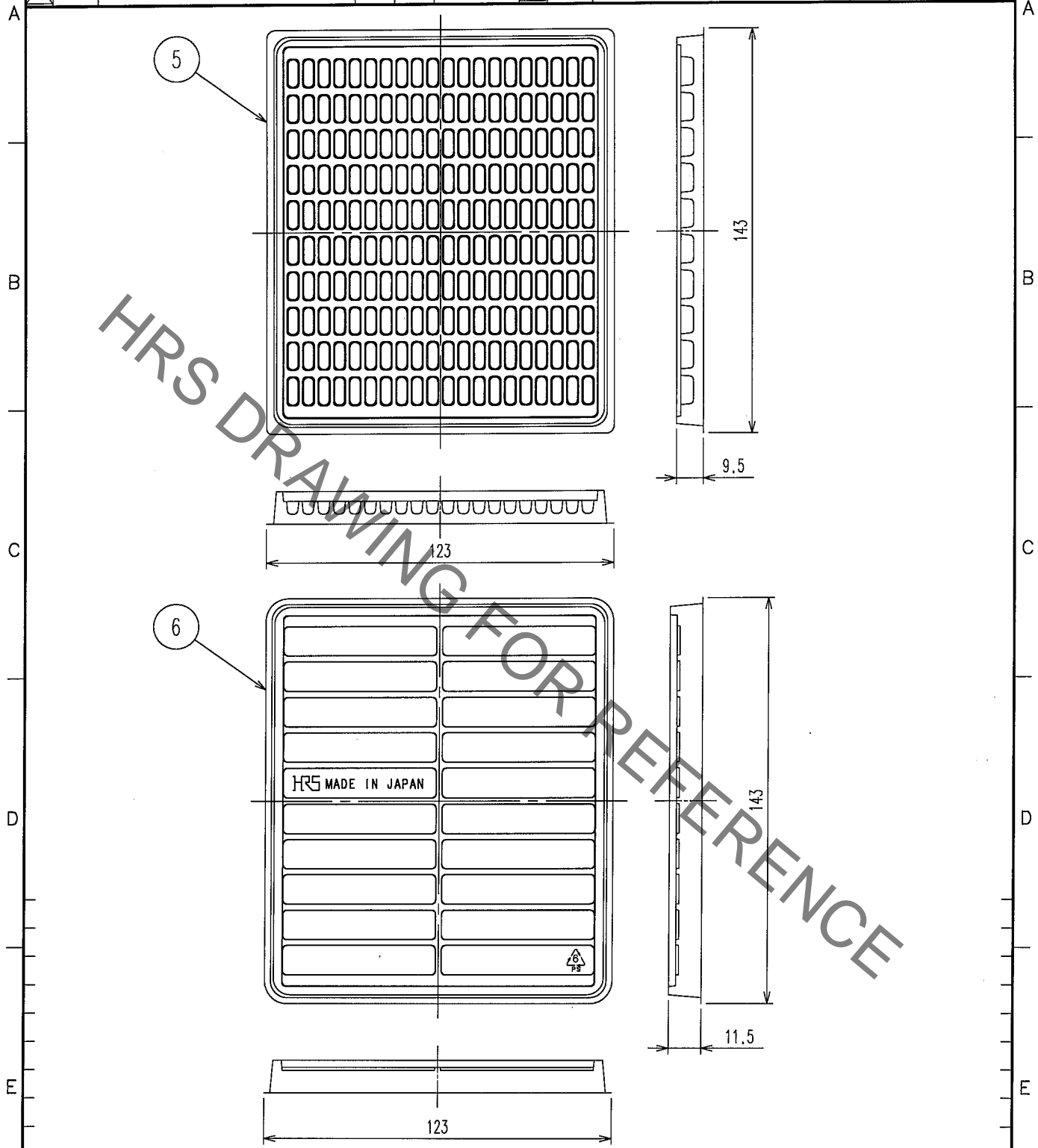
NOTE 1 This product is packed up on a tray.  
 2 A product corresponding to ROHS.

2	COPPER ALLOY	GOLD PLATING	4	ZIRCONIA	
1	COPPER ALLOY	NICKEL PLATING	3	COPPER ALLOY	NICKEL PLATING
NO.	MATERIAL	FINISH, REMARKS	NO.	MATERIAL	FINISH, REMARKS
CODE NO. (OLD)			DRAWN	DESIGNED	CHECKED
			Y.SATO	Y.SATO	M.INOUE
			05.12.12	05.12.12	05.12.15
			APPROVED	RELEASED	
			M.TAKAHASHI		
			05.12.15		

 SCALE 10 : 1 UNITS mm	DRAWING NO.	PART NO.
	EDC4-045750-40	HMUB-SH-1(40)
	 HIROSE ELECTRIC CO.,LTD.	CODE NO. CL710-0021-5-40

Oct.1.2019 Copyright 2019 HIROSE ELECTRIC CO., LTD. All Rights Reserved.  
 In case of consideration for using Automotive equipment / device which demand high reliability, kindly contact our sales window correspondents.

1		2			3			4		
COUNT	DESCRIPTION OF REVISIONS	BY	CHKD	DATE	COUNT	DESCRIPTION OF REVISIONS	BY	CHKD	DATE	
△					△					
△					△					
△					△					



5	POLYSTYRENE		6	POLYSTYRENE	
NO.	MATERIAL	FINISH, REMARKS	NO.	MATERIAL	FINISH, REMARKS
CODE NO. (OLD)			DRAWN		
			Y.SATO	DESIGNED	CHECKED
			05.12.12	Y.SATO	M.INOUE
				05.12.12	05.12.15
				APPROVED	RELEASED
				M.TAKAHASHI	
				05.12.15	
DRAWING NO.		PART NO.			
EDC4-045750-40		HMUB-SH-1(40)			
SCALE		CODE NO.			
1 : 2		CL710-0021-5-40		2/2	
UNITS		HIROSE ELECTRIC CO.,LTD.			
mm		HRS			

TO

