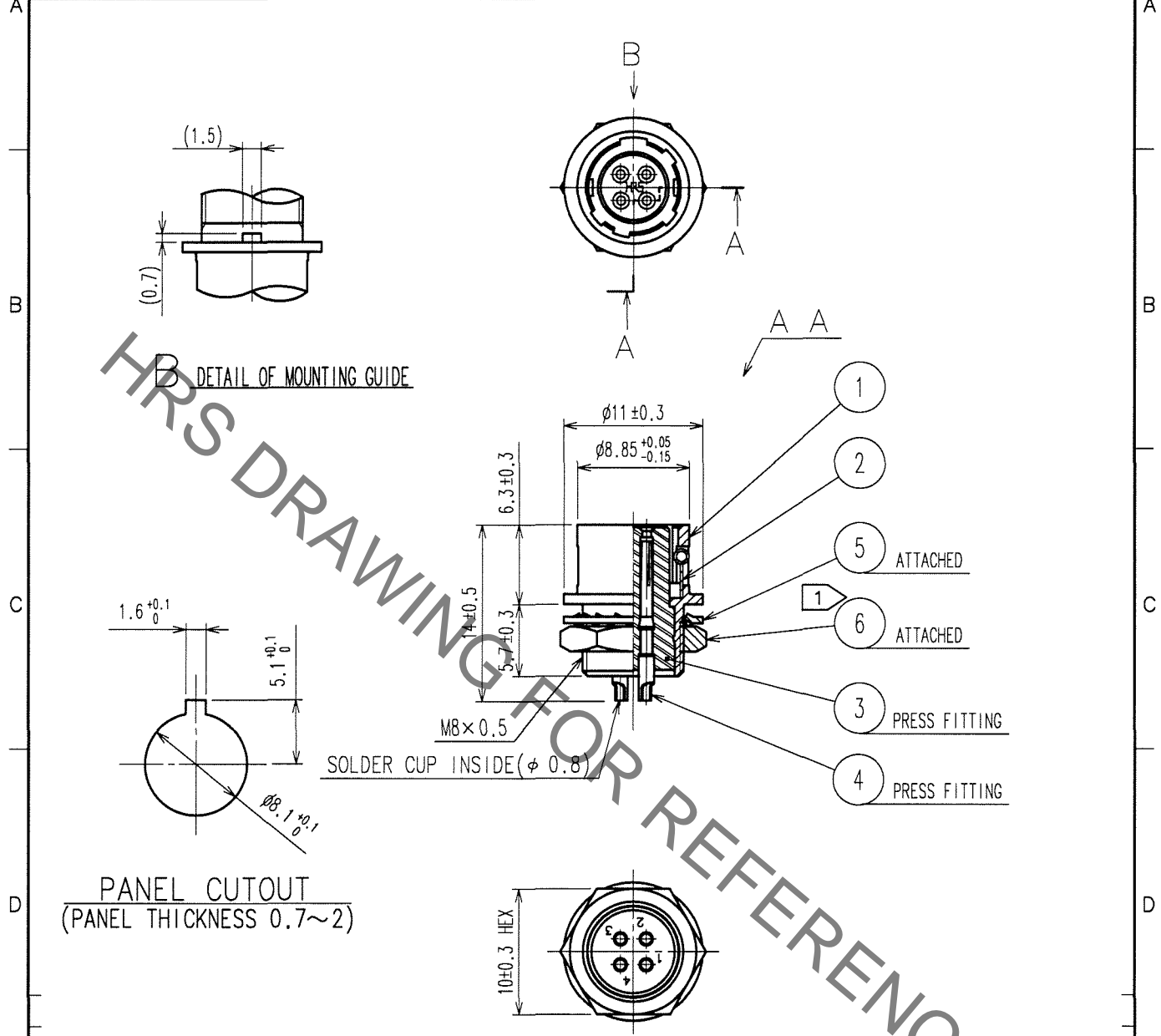


Sep.1.2019 Copyright 2019 HIROSE ELECTRIC CO., LTD. All Rights Reserved.  
In case of consideration for using Automotive equipment / device which demand high reliability, kindly contact our sales window correspondents.

1		2			3			4		
COUNT	DESCRIPTION OF REVISIONS	BY	CHKD	DATE	COUNT	DESCRIPTION OF REVISIONS	BY	CHKD	DATE	
△					△				. .	
△					△				. .	
△					△				. .	



NOTE: ① THE RECOMMENDED CLAMP TORQUE OF REF.NO.⑥: 1.5N·m.  
LOCTITE 242, LOCTITE OR EQUIVALENT IS RECOMMENDED TO PREVENT REF.NO.⑥ FROM LOOSENING.

NO.	MATERIAL	FINISH, REMARKS	NO.	MATERIAL	FINISH, REMARKS
3	POLYAMIDE	(BLUE)	6	BRASS	NICKEL PLATING
2	STAINLESS STEEL		5	PHOSPHOR BRONZE	NICKEL PLATING
1	ZINC ALLOY	MATTE FINISH NICKEL PLATED	4	BELLYLIUM COPPER	CONTACT AREA GOLD 0.2μ m min. UNDER PLATING NICKEL 2μ m min.

CODE NO. (OLD) CL	DRAWN H. Kishi '05.06.13	DESIGNED H. Kishi '05.06.13	CHECKED E. Kurii 05.06.13	APPROVED M. Sato 05.6.14	RELEASED
----------------------	--------------------------------	-----------------------------------	---------------------------------	--------------------------------	----------

 SCALE 2 : 1 UNITS mm	DRAWING NO. EDC4-007766-73  HIROSE ELECTRIC CO., LTD.	PART NO. HR10-7R-4S(73) CODE NO. CL110-0031-0-73	1 1
-----------------------------------	--	---	--------

TO
R