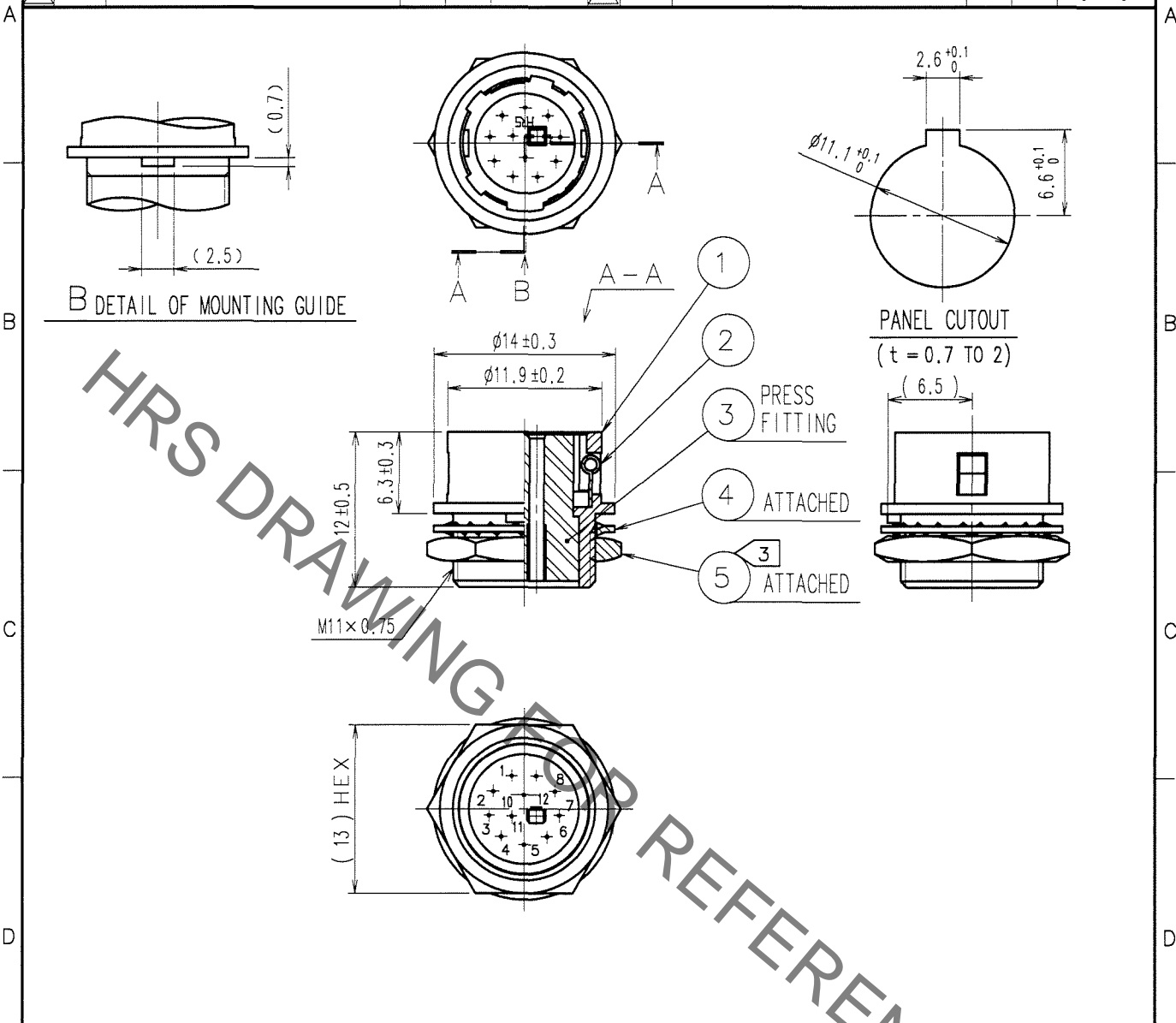


Oct.1.2019 Copyright 2019 HIROSE ELECTRIC CO., LTD. All Rights Reserved.
In case of consideration for using Automotive equipment / device which demand high reliability, kindly contact our sales window correspondents.

1		2			3			4		
COUNT	DESCRIPTION OF REVISIONS	BY	CHKD	DATE	COUNT	DESCRIPTION OF REVISIONS	BY	CHKD	DATE	
1	DIS-C-000585	T.K	E.K	07.07.27						



NOTES 1 APPLICABLE CRIMP CONTACT:HR12-SC-212(CL112-0408-9)
 APPLICABLE WIRE:AWG#26 TO #30(COVERED WIRE MAX,OUTSIDE DIA.#1)
 APPLICABLE CONTACT REMOVAL TOOL(EXTRACTION TOOL):HR12-SC-TP(CL150-0050-3)
 2 THE RECOMMENDED CLAMP TORQUE OF REF. NO. ⑤ TO BE 2N·m.
 LOCTITE 242, HENKEL JAPAN OR EQUIVALENT IS RECOMMENDED TO PREVENT REF. NO. ⑤ FROM LOOSENING.

3	POLYBUTYLENE TEREPHTHALATE (BLACK)	UL94V-0	5	BRASS	NICKEL PLATING
2	STAINLESS STEEL		4	PHOSPHOR BRONZE	NICKEL PLATING
1	ZINC ALLOY	MATTE FINISH NICKEL PLATED			
NO.	MATERIAL	FINISH, REMARKS	NO.	MATERIAL	FINISH, REMARKS

CODE NO. (OLD)	CL	DRAWN	DESIGNED	CHECKED	APPROVED	RELEASED
		M.SATO	T.HORII	E.KUNII	M.SATO	
		'07 04 11	'07 04 11	'07 04 11	'07 04 11	

 SCALE 2 : 1 UNITS mm	DRAWING NO. EDC4-042732-71 HIROSE ELECTRIC CO.,LTD.	PART NO. HR10G-10R-12SC(71) CODE NO. CL110-1709-8-71	1 1
-----------------------------------	-----------------------------------------------------------	---------------------------------------------------------------	--------