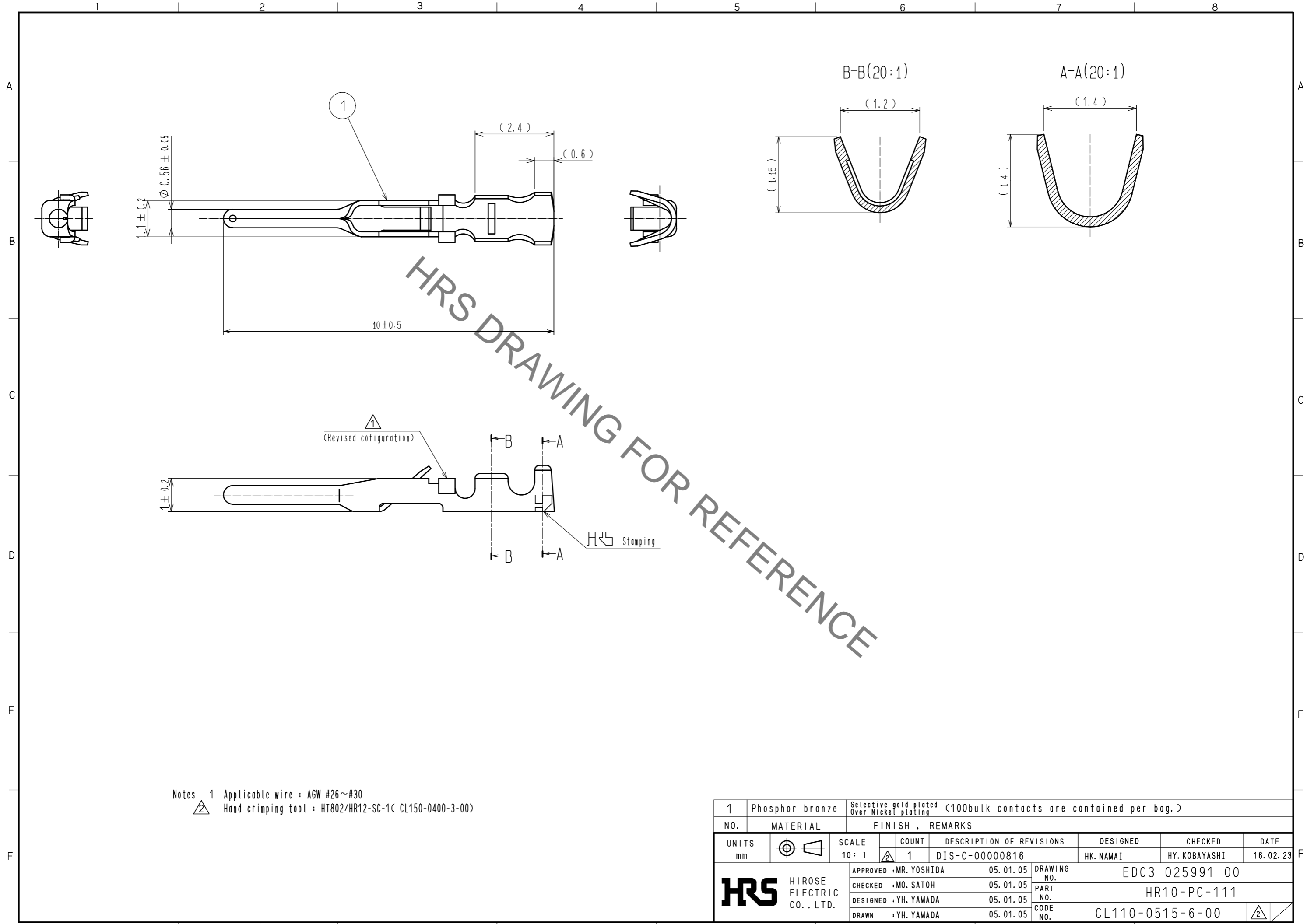


Oct.1.2019 Copyright 2019 HIROSE ELECTRIC CO., LTD. All Rights Reserved.
 In case of consideration for using Automotive equipment / device which demand high reliability, kindly contact our sales window correspondents.



Notes 1 Applicable wire : AGW #26~#30
 Hand crimping tool : HT802/HR12-SC-1(CL150-0400-3-00)

1	Phosphor bronze	Selective gold plated Over Nickel plating	(<100bulk contacts are contained per bag.>)				
NO.	MATERIAL	FINISH	REMARKS				
UNITS mm		SCALE 10:1	COUNT 1	DESCRIPTION OF REVISIONS DIS-C-00000816	DESIGNED HK. NAMAI	CHECKED HY. KOBAYASHI	DATE 16.02.23
HRS HIROSE ELECTRIC CO., LTD.		APPROVED : MR. YOSHIDA	05.01.05	DRAWING NO.	EDC3-025991-00		
		CHECKED : MO. SATOH	05.01.05	PART NO.	HR10-PC-111		
		DESIGNED : YH. YAMADA	05.01.05	CODE NO.	CL110-0515-6-00		
		DRAWN : YH. YAMADA	05.01.05				