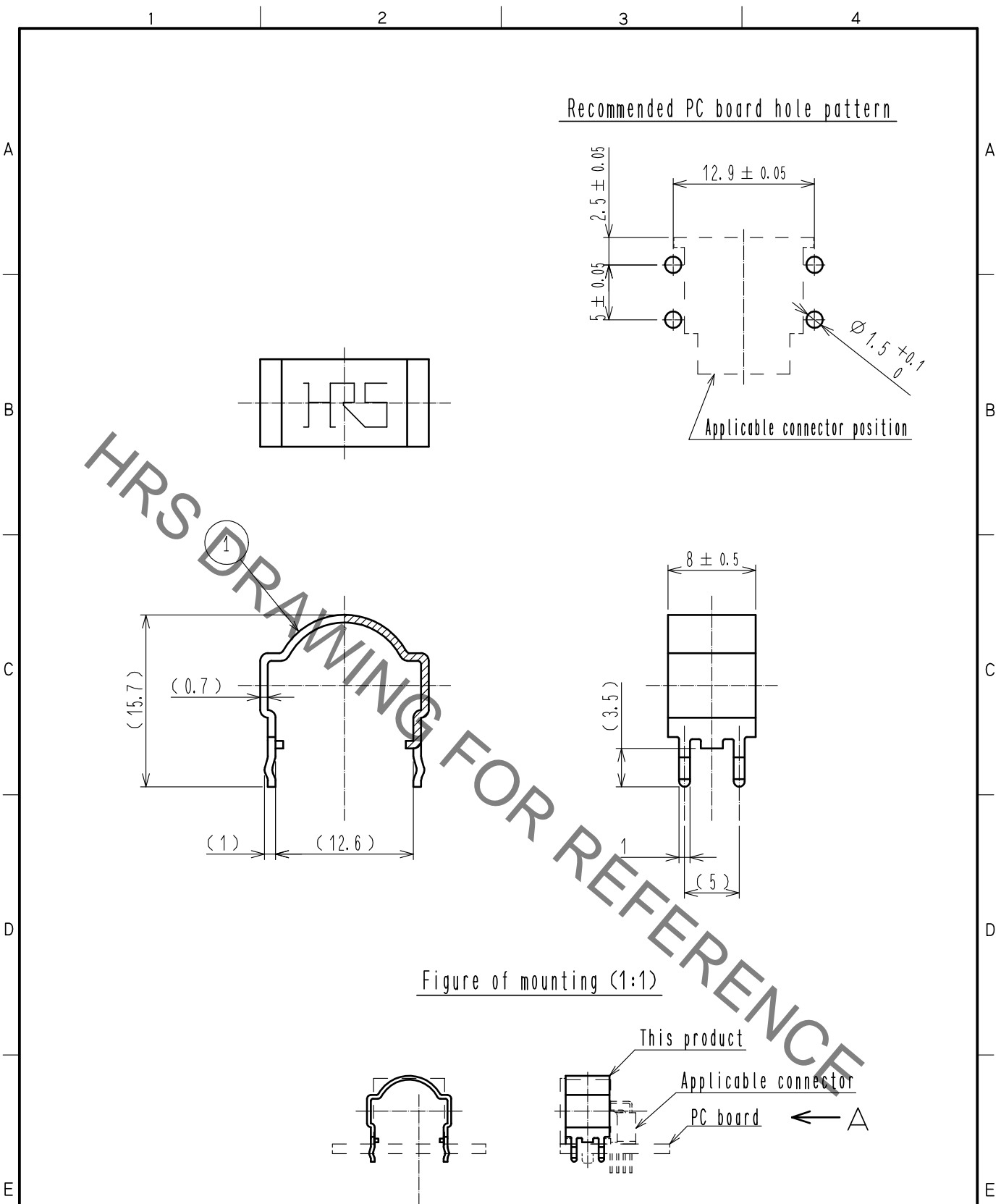


Oct.1.2019 Copyright 2019 HIROSE ELECTRIC CO., LTD. All Rights Reserved.  
 In case of consideration for using Automotive equipment / device which demand high reliability, kindly contact our sales window correspondents.



Note) 1. This component is attached to the applicable connector from direction A, and then mount to PCB.

1	Brass	Tin plating						
NO.	MATERIAL	FINISH .	REMARKS	NO.	MATERIAL	FINISH .	REMARKS	
UNITS mm		SCALE 2 : 1	COUNT 	DESCRIPTION OF REVISIONS		DESIGNED	CHECKED	DATE
HIROSE ELECTRIC CO., LTD.		APPROVED	·EJ. KUNII	15.10.02	DRAWING NO.	EDC-022237-71-00		
		CHECKED	·EJ. KUNII	15.10.02	PART NO.	HR12-10R-SP(71)		
		DESIGNED	·S.J. SHIMIZU	15.10.01	CODE NO.	CL112-0507-0-71		1/1
		DRAWN	·S.J. SHIMIZU	15.10.01				