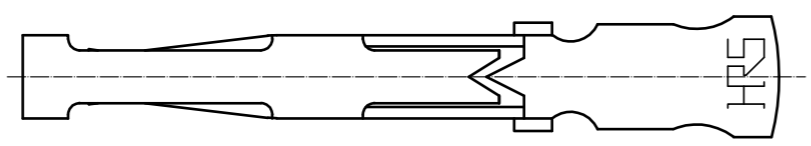
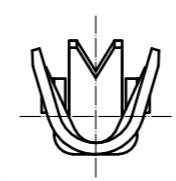
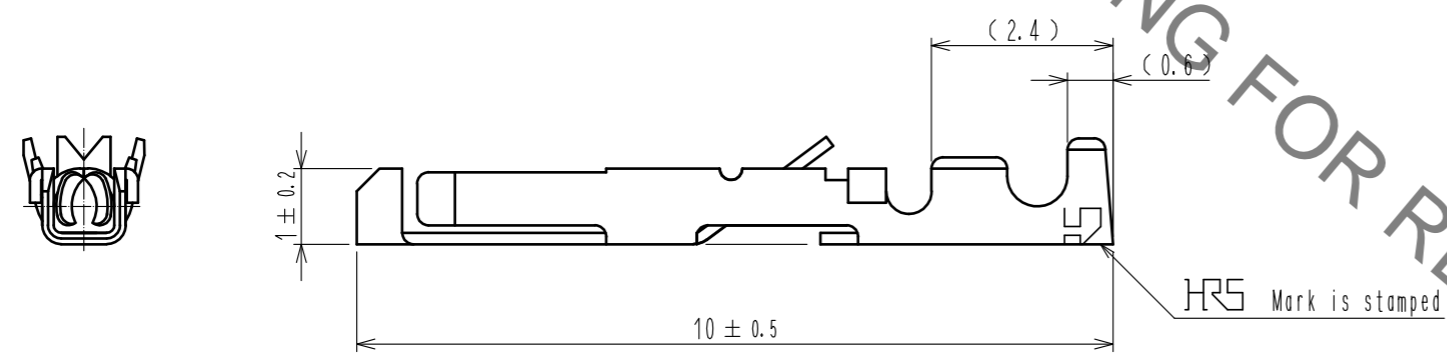
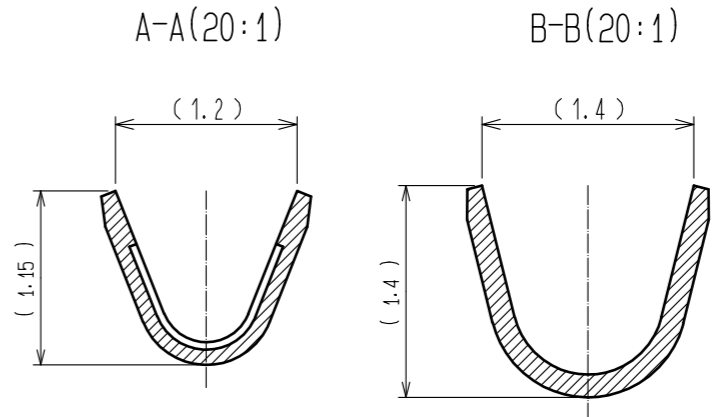
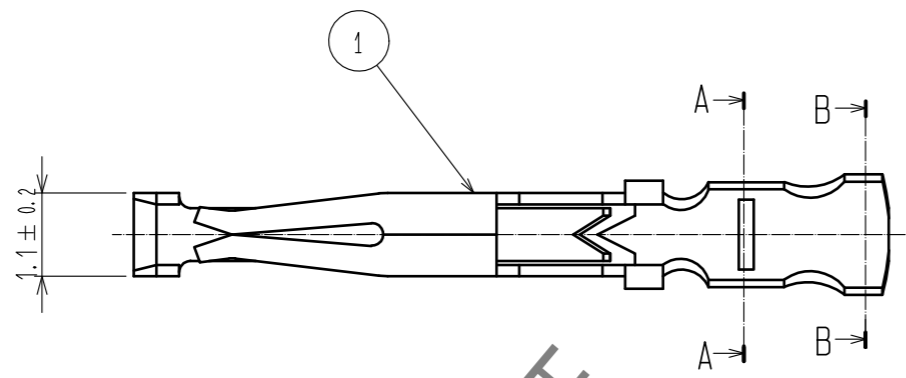


Oct.1.2019 Copyright 2019 HIROSE ELECTRIC CO., LTD. All Rights Reserved.
 In case of consideration for using Automotive equipment / device which demand high reliability, kindly contact our sales window correspondents.



HRS DRAWING FOR REFERENCE

Notes 1. Applicable wire size : #26~#30 AWG
 △ Hand crimping tool : HT802/HR12-SC-1 (CL150-0400-3-00)

1	Phosphor bronze	Selective gold plating(100 pcs.)				
NO.	MATERIAL	FINISH . REMARKS	NO.	MATERIAL	FINISH . REMARKS	
UNITS mm		SCALE 10: 1	COUNT △ 1	DESCRIPTION OF REVISIONS DIS-C-00000816		DATE 16. 02. 23
HRS HIROSE ELECTRIC CO., LTD.		APPROVED : MR. YOSHIDA	05. 01. 05	DRAWING NO. EDC3-022994-00		
		CHECKED : MO. SATOH	05. 01. 05	PART NO. HR12-SC-111		
		DESIGNED : YH. YAMADA	05. 01. 05	CODE NO. CL112-0410-0-00		
		DRAWN : YH. YAMADA	05. 01. 05			△