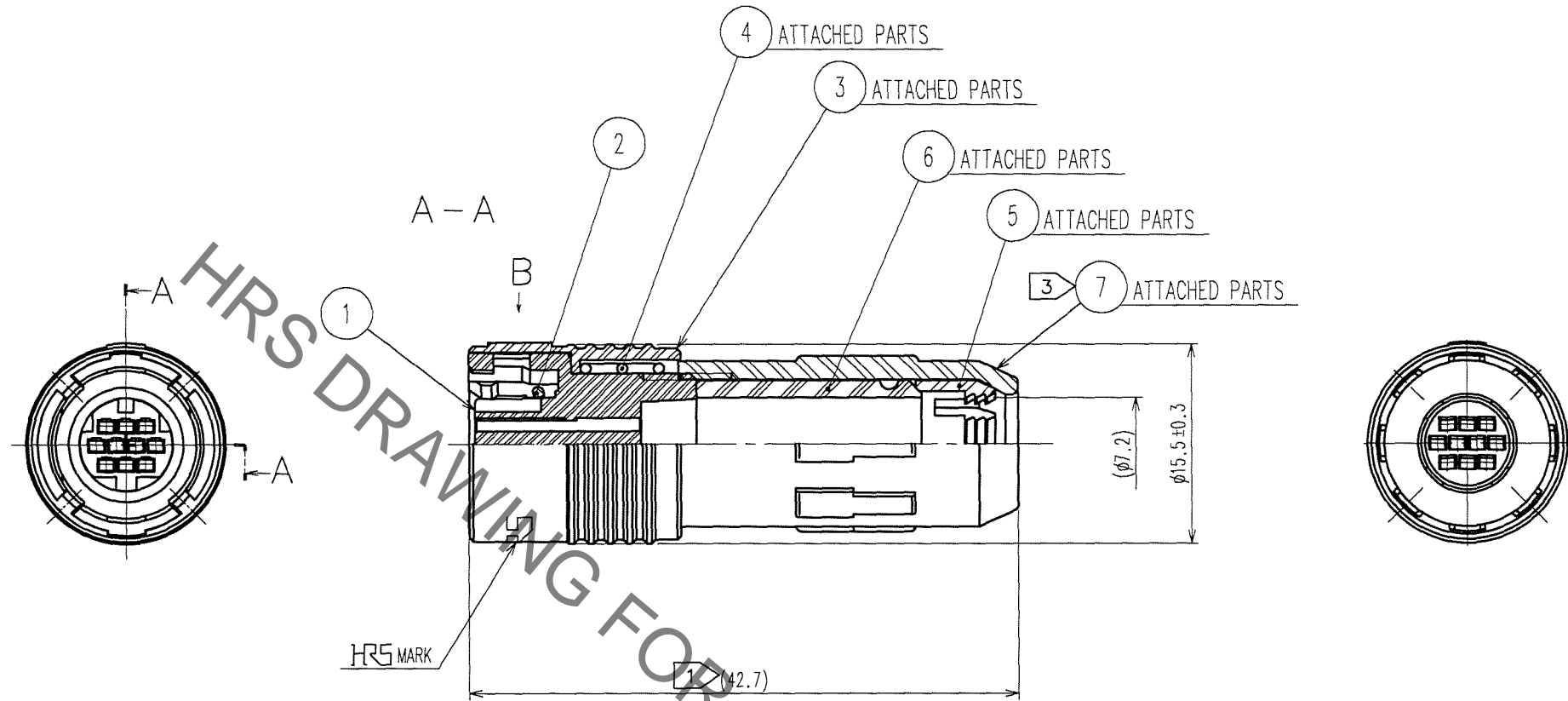
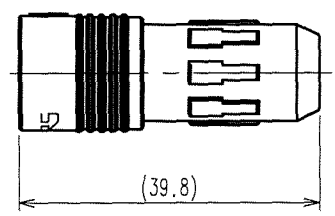


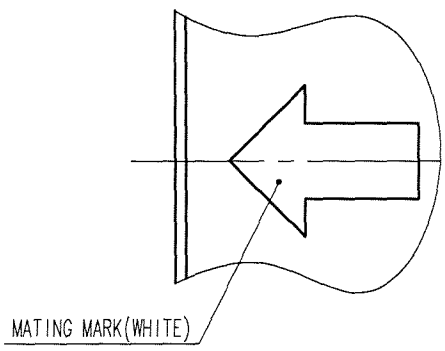
Oct.1.2019 Copyright 2019 HIROSE ELECTRIC CO., LTD. All Rights Reserved.  
In case of consideration for using Automotive equipment / device which demand high reliability, kindly contact our sales window correspondents.

COUNT	DESCRIPTION OF REVISIONS	BY	CHKD	DATE	COUNT	DESCRIPTION OF REVISIONS	BY	CHKD	DATE
2	DIS-C-000490	T.H	E.K	07.01.31					

LIFE SIZE(1:1)



B(5:1)



- NOTES
- ① TOTAL LENGTH BECOMES 39.8±1 WHEN ⑦ IS SCREWED INTO ① COMPLETELY.
  - ② APPLICABLE CRIMPING CONTACT:HR30-SC-211  
(APPLICABLE WIRE: 26~30 AWG WIRE JACKET DIAMETER:φ1 MAX)  
APPLICABLE CRIMP CONTACT EXTRACTION TOOL:HR30-TP
  - ③ THE RECOMMENDED CLUMP TORQUE OF REF. NO. ⑦ TO BE 0.5N·m.  
LOCTITE 271,LOCPRIMER 7649,HENKEL JAPAN IS RECOMMENDED TO PREVENT REF. NO. ⑦ FROM LOOSENING.  
SPACER FOR ASSEMBLY IS AVAILABLE HR30-8P-T02.  
TABLE FOR ASSEMBLY IS AVAILABLE HR30-7P-10SC-T01.
  - ④ THE CABLE PULL AND TWISTING STRENGTH AND OTHER CHARACTERISTICS MAY DIFFER,  
DEPENDING ON THE CABLE STRUCTURE.  
PLEASE CONFIRM BEFORE THE USE.

4	STAINLESS STEEL				
3	PBT	(BLACK)	UL94V-0	7	PPS (BLACK) UL94V-0
2	SIR	(RED)		6	CR (BLACK)
1	PPS	(BLACK)	UL94V-0	5	POLYACETAL NATURAL
NO.	MATERIAL	FINISH, REMARKS	NO.	MATERIAL	FINISH, REMARKS

CODE NO. (OLD)	DRAWN	DESIGNED	CHECKED	APPROVED	RELEASED
	M.HANYU	H.NAGANO	E.KUNII	M.SATO	
	'05. 8.10	'05. 8.10	'05. 8.10	'05. 8.10	

	DRAWING NO. EDC3-112152-71	PART NO. HR30-7P-10SC(71)
SCALE 2 : 1	HIROSE ELECTRIC CO., LTD	CODE NO. CL130-0013-2-71
UNITS mm		1/1

TO
R