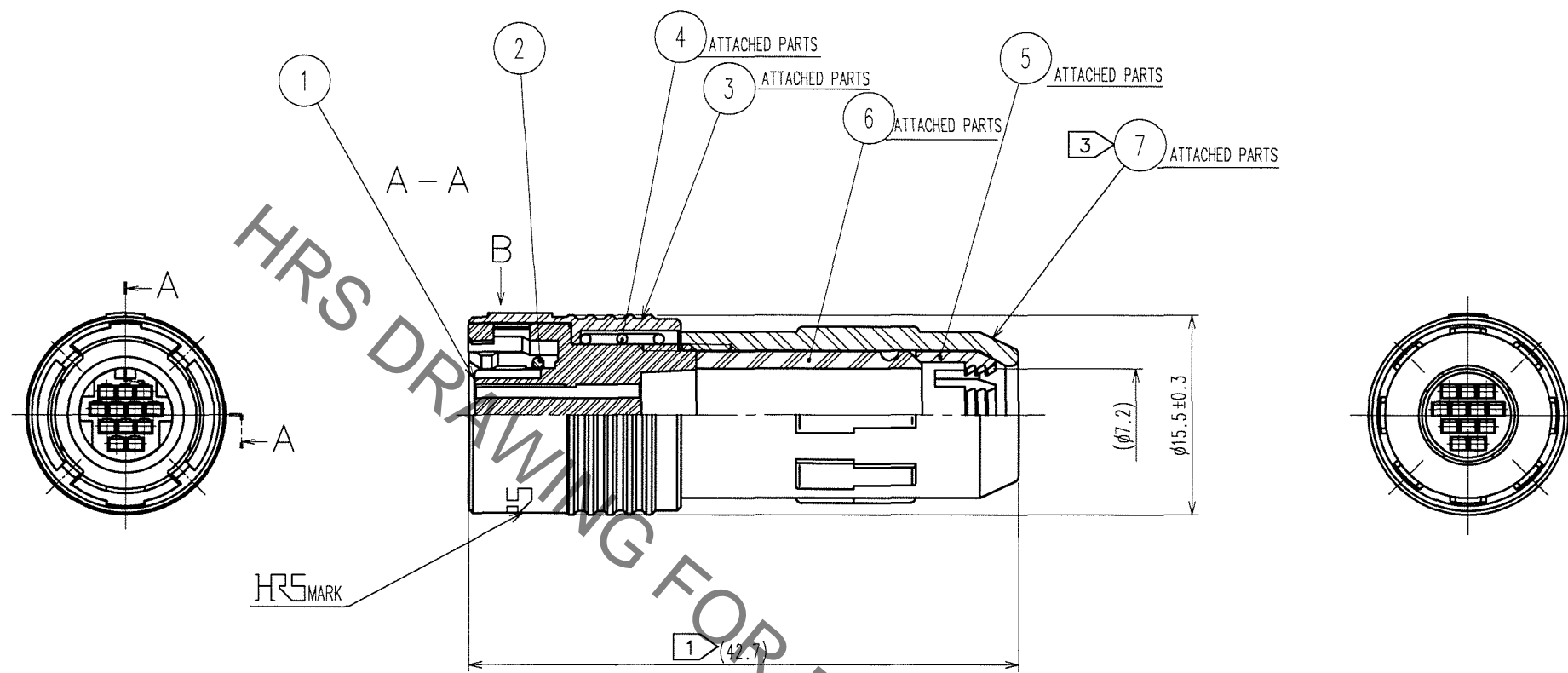
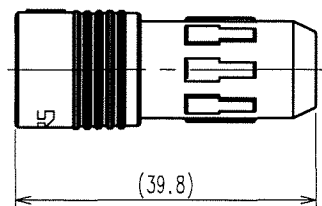


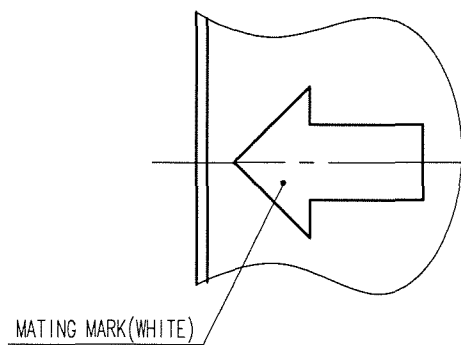
Oct.1.2019 Copyright 2019 HIROSE ELECTRIC CO., LTD. All Rights Reserved.
In case of consideration for using Automotive equipment / device which demand high reliability, kindly contact our sales window correspondents.

COUNT	DESCRIPTION OF REVISIONS	BY	CHKD	DATE	COUNT	DESCRIPTION OF REVISIONS	BY	CHKD	DATE
2	DIS-C-000490	T.H	E.K	07.01.31					

LIFE SIZE(1:1)



B (5:1)



- NOTES
- ① TOTAL LENGTH BECOMES 39.8±1 WHEN ⑦ IS SCREWED INTO ① COMPLETELY.
 - ② APPLICABLE CRIMPING CONTACT:HR30-SC-211
(APPLICABLE WIRE: 26-30 AWG WIRE JACKET DIAMETER:ø1 MAX)
APPLICABLE CRIMP CONTACT EXTRACTION TOOL:HR30-TP
 - ③ THE RECOMMENDED CLAMP TORQUE OF REF. NO. ⑦ TO BE 0.5N·m.
LOCTITE 271, LOCPRIMER 7649, HENKEL JAPAN IS RECOMMENDED TO PREVENT REF. NO. ⑦ FROM LOOSENING.
SPACER FOR ASSEMBLY IS AVAILABLE HR30-8P-T02.
TABLE FOR ASSEMBLY IS AVAILABLE HR30-7P-12SC-T01.
 - ④ THE CABLE PULL AND TWISTING STRENGTH AND OTHER CHARACTERISTICS MAY DIFFER,
DEPENDING ON THE CABLE STRUCTURE.
PLEASE CONFIRM BEFORE THE USE.

4	STAINLESS STEEL						
3	PBT	(BLACK)	UL94V-0	7	PPS	(BLACK)	UL94V-0
2	SIR	(RED)		6	CR	(BLACK)	
1	PPS	(BLACK)	UL94V-0	5	POLYACETAL	(NATURAL)	
NO.	MATERIAL	FINISH, REMARKS		NO.	MATERIAL	FINISH, REMARKS	

CODE NO. (OLD)	DRAWN	DESIGNED	CHECKED	APPROVED	RELEASED
	M.HANYU	H.NAGANO	E.KUNII	M.SATO	
	'05. 8. 8	'05. 8. 8	'05. 8. 10	'05. 8. 10	

 SCALE 2 : 1 UNITS mm	DRAWING NO. EDC3-112153-71 HRS HIROSE ELECTRIC CO., LTD	PART NO. HR30-7P-12SC(71) CODE NO. CL130-0014-5-71	1/1
-----------------------------------	--	---	-----

TO
R