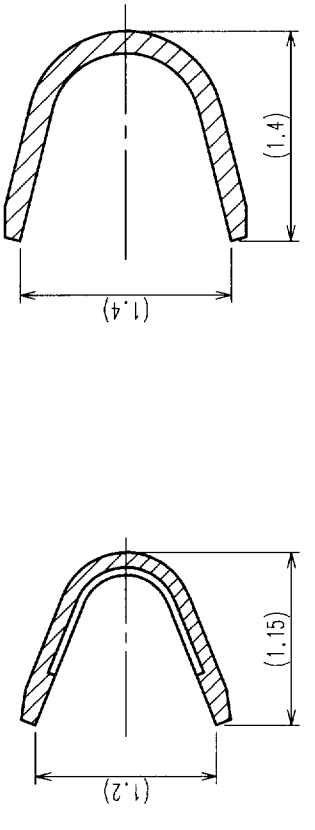
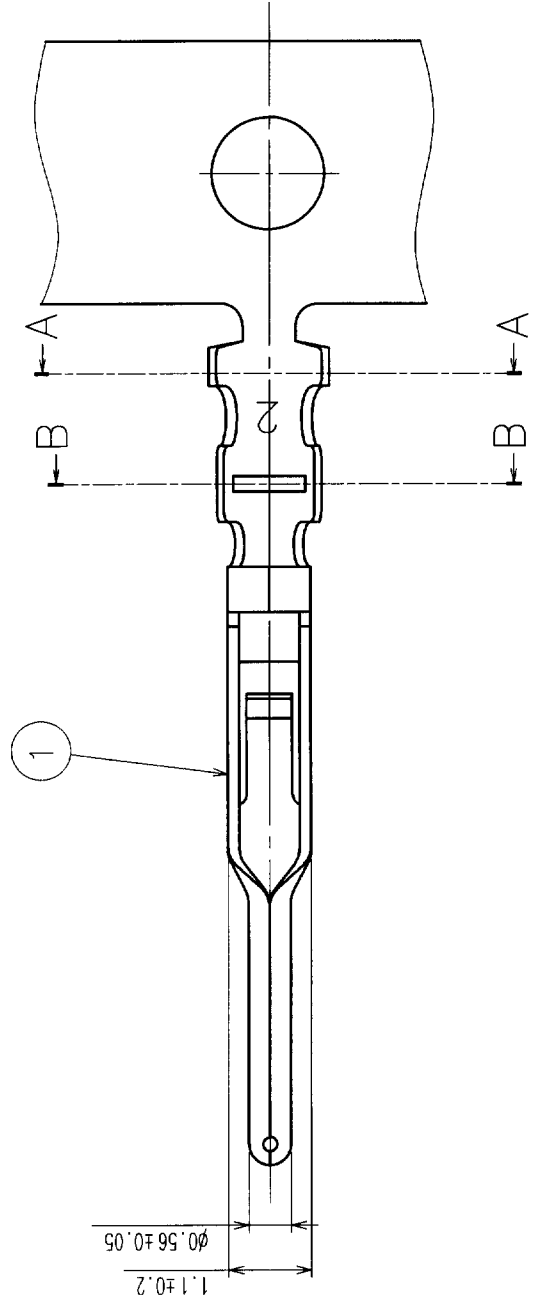


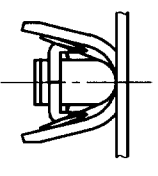
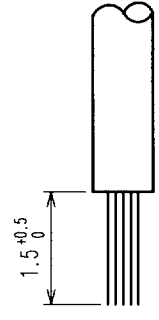
Oct.1.2019 Copyright 2019 HIROSE ELECTRIC CO., LTD. All Rights Reserved.  
 In case of consideration for using Automotive equipment / device which demand high reliability, kindly contact our sales window correspondents.

COUNT	DESCRIPTION OF REVISIONS	BY	CHKD	DATE	COUNT	DESCRIPTION OF REVISIONS	BY	CHKD	DATE
△					△				
△					△				
△					△				

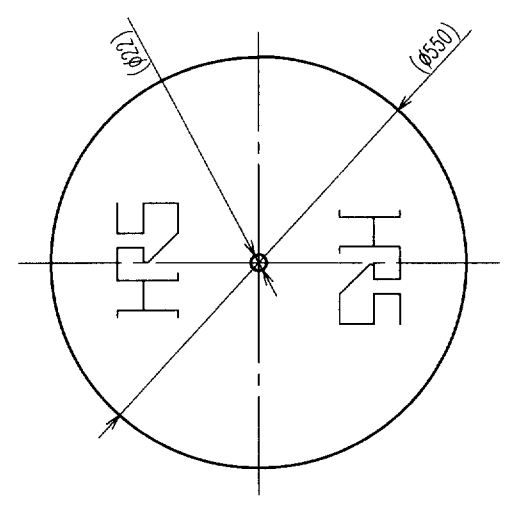
B-B(20:1) A-A(20:1)



3 > FIG.1 RECOMMENDED CABLE PREPARATION DIMENSIONS



2 REEL (1:10)



- NOTES
- 1 THIS PRODUCT IS APPLY TO THE WIRE 26-30 AWG(WIRE JACKET DIAMETER φ1 MAX).
  - 2 PER REEL:10000 CONTACTS
  - 3 > RECOMMENDED CABLE PREPARATION DIMENSIONS ARE SHOWN IN FIG.1.

NO.	PHOSPHOR BRONZE MATERIAL	SELECTIVE GOLD PLATING FINISH, REMARKS	CARTON NO.	(TERMINAL WINDING REEL) MATERIAL
1			2	

CODE NO. (OLD)	DRAWN	DESIGNED	CHECKED	APPROVED	RELEASED
	H.Zemba	H.Zemba	E.Kunii	M. Gyabida	
	01-01-05	01-01-05	01-01-05	01-01-10	

DRAWING NO.	PART NO.
EDC3-112452	HR30-PC-211

SCALE	UNITS	CODE NO.
10:1	mm	CL130-0016-0

TO	
R	



HIROSE ELECTRIC CO., LTD