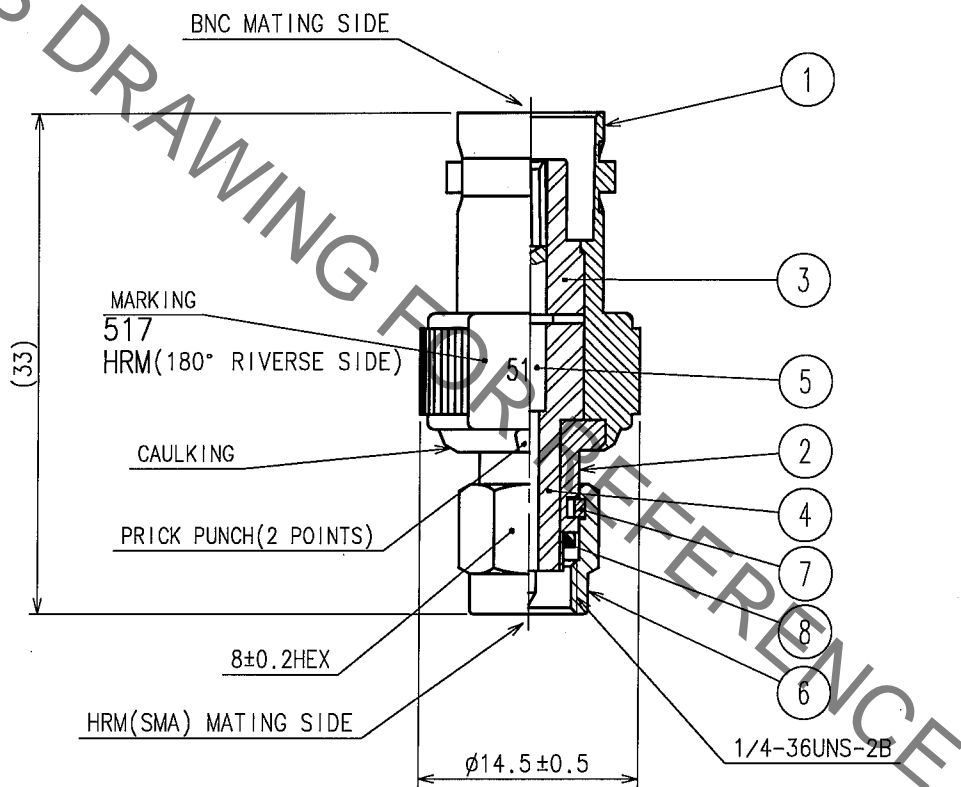
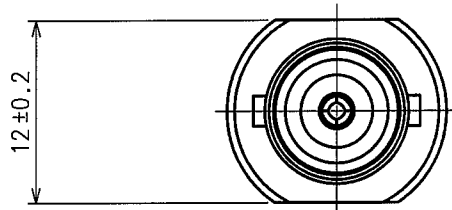


Oct.1.2019 Copyright 2019 HIROSE ELECTRIC CO., LTD. All Rights Reserved.
 In case of consideration for using Automotive equipment / device which demand high reliability, kindly contact our sales window correspondents.

1	2			3			4		
COUNT	DESCRIPTION OF REVISIONS	BY	CHKD	DATE	COUNT	DESCRIPTION OF REVISIONS	BY	CHKD	DATE
△				..	△				..
△					△				..
△					△				..



4	PTFE		8	SILICONE RUBBER	
3	PTFE		7	BERYLLIUM COPPER	NICKEL PLATING
2	STAINLESS STEEL	GOLD PLATING	6	STAINLESS STEEL	GOLD PLATING
1	BRASS	SILVER PLATING	5	BERYLLIUM COPPER	GOLD PLATING
NO.	MATERIAL	FINISH, REMARKS	NO.	MATERIAL	FINISH, REMARKS

CODE NO. (OLD)	DRAWN	DESIGNED	CHECKED	APPROVED	RELEASED
	R.KIMURA 05.07.25	R.KIMURA 05.07.25	M. Yamane 05.07.29	S. Mitani 05.08.01	

 SCALE 2 : 1 UNITS mm	DRAWING NO. EDC4-005016-40 HIROSE ELECTRIC CO., LTD.	PART NO. HRM-517(40) CODE NO. CL311-0099-6-40	1 1
-----------------------------------	--	--	--------

