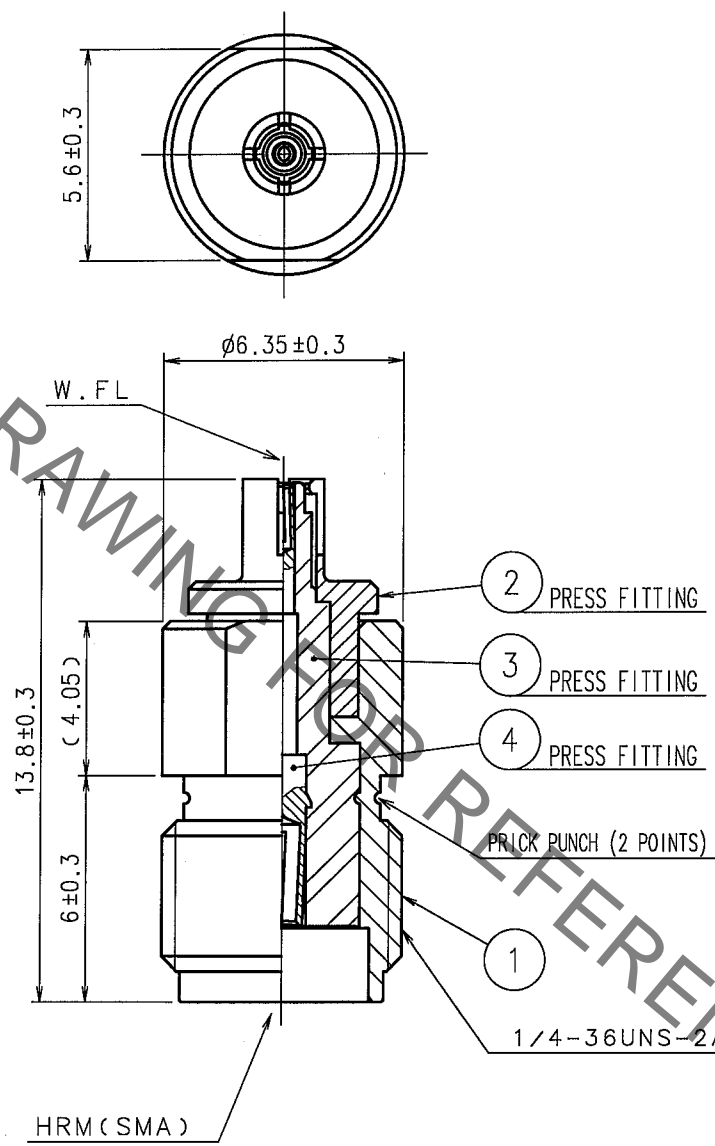


Oct.1.2019 Copyright 2019 HIROSE ELECTRIC CO., LTD. All Rights Reserved.  
In case of consideration for using Automotive equipment / device which demand high reliability, kindly contact our sales window correspondents.

1		2			3			4		
COUNT	DESCRIPTION OF REVISIONS	BY	CHKD	DATE	COUNT	DESCRIPTION OF REVISIONS	BY	CHKD	DATE	
△					△					
△					△					
△					△					



HRS DRAWING FOR REFERENCE

NOTE. USE ONLY FOR ELECTRICAL MEASUREMENT BECAUSE OF LOCKING DEVICE IN MATING PORTION ON W.FL SIDE IS DESIGNED WEAKER THAN ORDINARY PRODUCTS.

2	BERYLLIUM COPPER	NICKEL PLATING	4	BERYLLIUM COPPER	GOLD PLATING
1	BRASS	NICKEL PLATING	3	PTFE	
NO.	MATERIAL	FINISH, REMARKS	NO.	MATERIAL	FINISH, REMARKS

CODE NO. (OLD)		DRAWN	DESIGNED	CHECKED	APPROVED	RELEASED
		R.KIMURA	R.KIMURA	<i>M. Yamane</i>	<i>J. Mitani</i>	
RoHS COMPLIANT		05.08.11	05.08.11	05.08.23	05.08.26	

 SCALE 5 : 1 UNITS mm	DRAWING NO.	PART NO.
	EDC4-300218-40	HRMJ-W.FLP(40)
 HIROSE ELECTRIC CO., LTD.	CODE NO.	
	CL311-0368-6-40	

0
RF