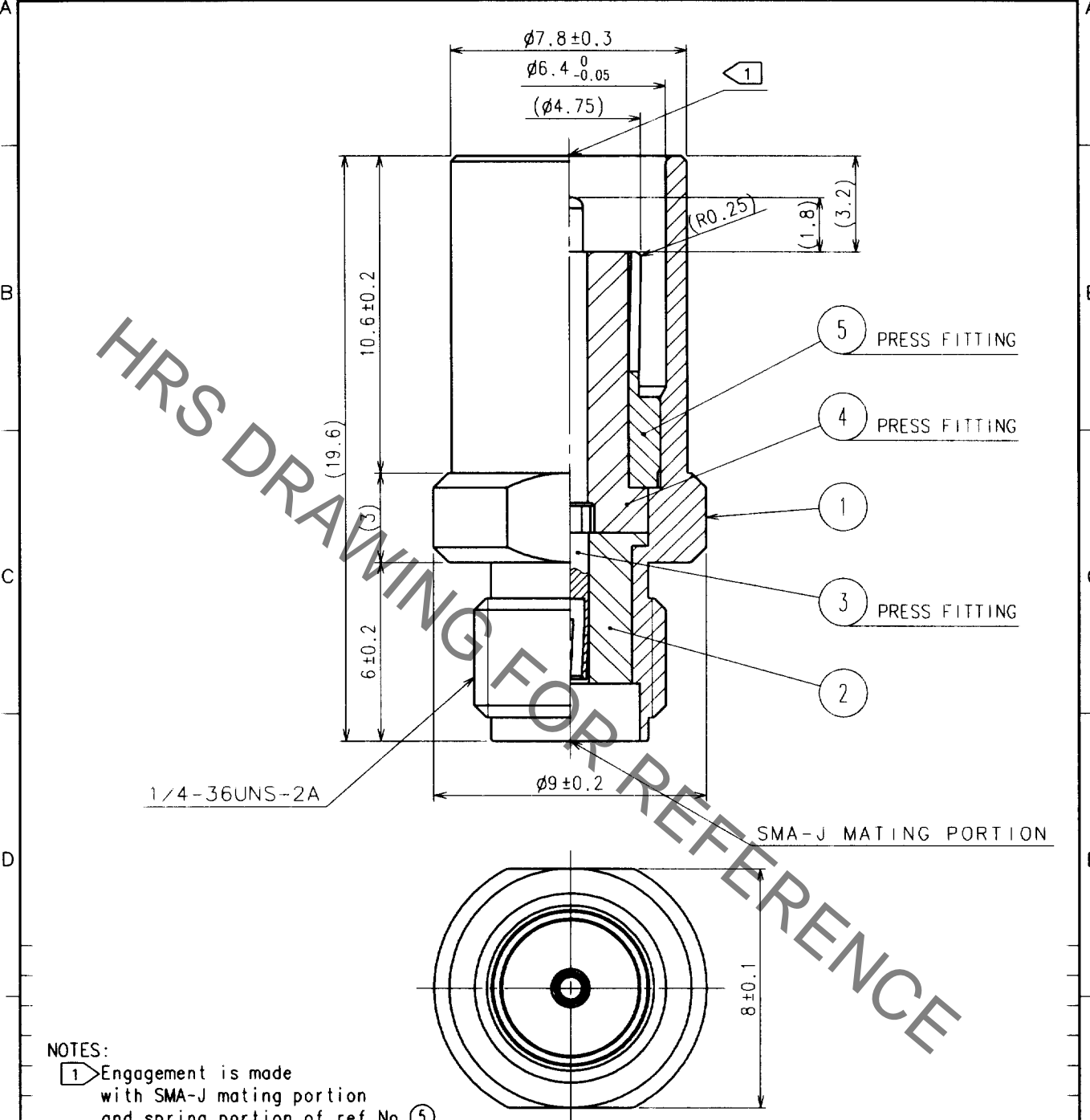


Oct.1.2019 Copyright 2019 HIROSE ELECTRIC CO., LTD. All Rights Reserved.  
In case of consideration for using Automotive equipment / device which demand high reliability, kindly contact our sales window correspondents.

1		2			3			4		
COUNT	DESCRIPTION OF REVISIONS	BY	CHKD	DATE	COUNT	DESCRIPTION OF REVISIONS	BY	CHKD	DATE	
△					△					
△					△					
△					△					



NOTES:  
 1 Engagement is made with SMA-J mating portion and spring portion of ref.No. 5.

3	BERYLLIUM COPPER	GOLD PLATING	5	BERYLLIUM COPPER	GOLD PLATING
2	PTFE		4	PTFE	
1	STAINLESS STEEL	PASSIVATE			
NO.	MATERIAL	FINISH, REMARKS	NO.	MATERIAL	FINISH, REMARKS

CODE NO. (OLD) CL396-5570-4		DRAWN <i>M. Watarabe</i> 01.10.11	DESIGNED <i>A. Ninomiga</i> 01.10.11	CHECKED <i>J. Mitomi</i> 01.10.11	APPROVED <i>K. Kobayashi</i> 01.10.12	RELEASED
--------------------------------	--	---	--	---	---	----------

 SCALE 5 : 1 UNITS mm	DRAWING NO. EDC4-138460	PART NO. HRMP(PO)-HRMJ
	 HIROSE ELECTRIC CO., LTD.	CODE NO CL323-0741-8

TO
RF

