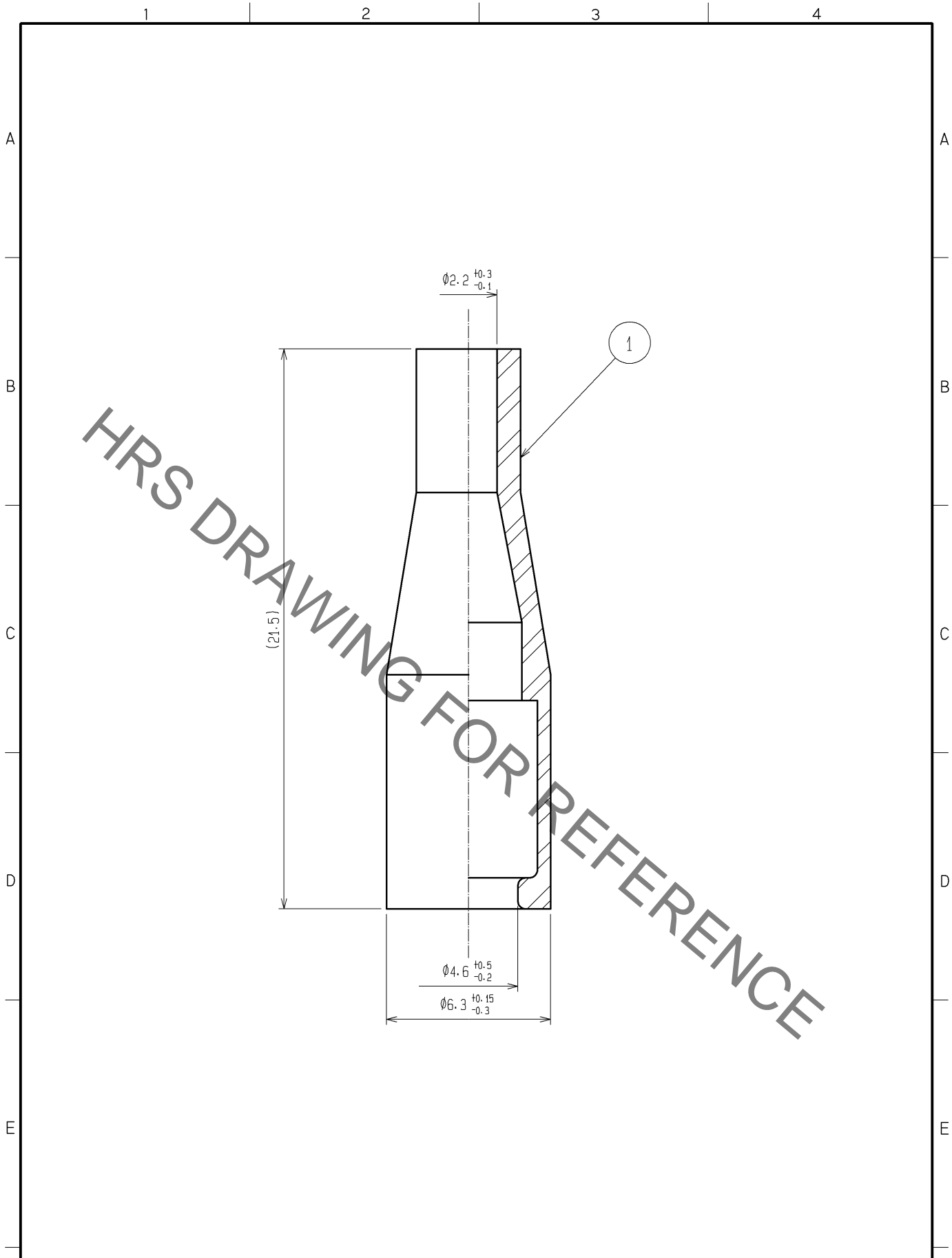


Oct.1.2019 Copyright 2019 HIROSE ELECTRIC CO., LTD. All Rights Reserved.  
 In case of consideration for using Automotive equipment / device which demand high reliability, kindly contact our sales window correspondents.



1	Synthetic Resin	Blue						
NO.	MATERIAL	FINISH .	REMARKS	NO.	MATERIAL	FINISH .	REMARKS	
UNITS mm		SCALE 5 : 1	COUNT 	DESCRIPTION OF REVISIONS		DESIGNED	CHECKED	DATE
HIROSE ELECTRIC CO., LTD.		APPROVED : HA. OKANO	08. 05. 15	DRAWING NO.		EDC4-176216-00		
		CHECKED : KS. JOKURA	08. 05. 15	PART NO.		HSC-PH2-E1-A-HOOD		
		DESIGNED : FS. YOSHIDA	08. 05. 15	CODE NO.		CL704-0560-8-00		
		DRAWN : FS. YOSHIDA	08. 05. 15					1/1