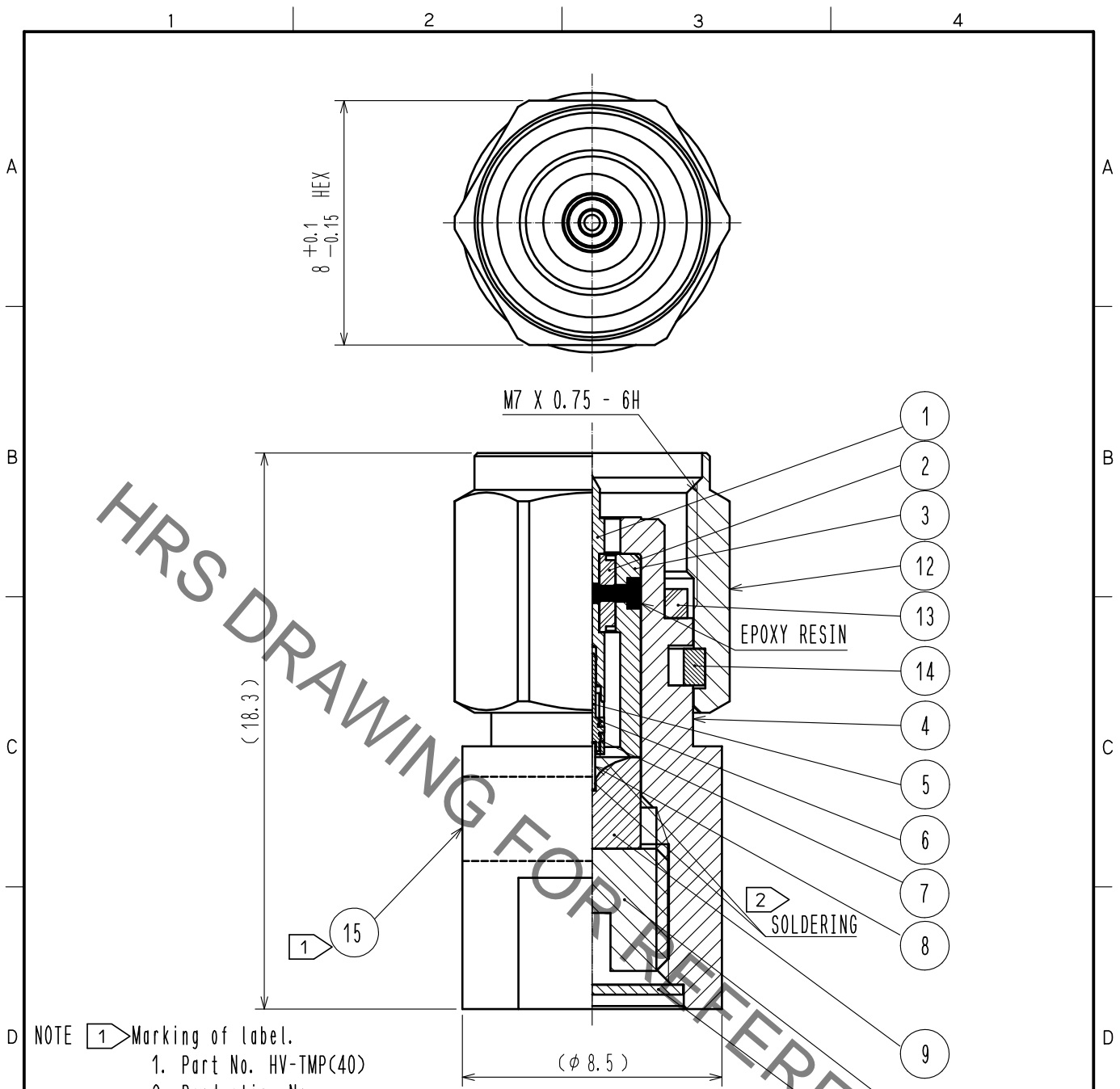


Sep. 1. 2019 Copyright 2019 HIROSE ELECTRIC CO., LTD. All Rights Reserved.
 In case of consideration for using Automotive equipment / device which demand high reliability, kindly contact our sales window correspondents.



NOTE 1 Marking of label.
 1. Part No. HV-TMP(40)
 2. Production No.
 3. Manufacture abbreviation.

2 Lead-free solder of Sn3Ag0.5Cu is used.

ROHS COMPLIANT

8	ALUMINA						
7	BERYLLIUM COPPER	GOLD PLATING	15		LABEL		
6	BRASS	GOLD PLATING	14	BERYLLIUM COPPER	NICKEL PLATING		
5	BERYLLIUM COPPER	GOLD PLATING	13	SILICONE RUBBER			
4	STAINLESS STEEL	PASSIVATE	12	STAINLESS STEEL	PASSIVATE		
3	STAINLESS STEEL	GOLD PLATING	11	BRASS	NICKEL PLATING		
2	PTFE		10	BRASS	GOLD PLATING		
1	BRASS	GOLD PLATING	9	BRASS	GOLD PLATING		
NO.	MATERIAL	FINISH .	REMARKS	NO.	MATERIAL	FINISH .	REMARKS

UNITS mm		SCALE 5 : 1	COUNT 	DESCRIPTION OF REVISIONS	DESIGNED	CHECKED	DATE
HIROSE ELECTRIC CO., LTD.		APPROVED : KY. SHIMIZU	15. 10. 16	DRAWING NO.	EDC-180341-40-40		
		CHECKED : KY. SHIMIZU	15. 10. 16	PART NO.	HV-TMP(40)		
		DESIGNED : TO. KATAYAMA	15. 10. 16	CODE NO.	CL353-0146-6-40		
		DRAWN : MH. OGUSU	15. 10. 16				